



CANADIAN MSRP PRICE BOOK

January 1, 2024

Redman Distributing Inc.

395 Dobbie Drive
Cambridge, Ontario, N1T 1S8

TELEPHONE: 519.624.5710

TOLL-FREE: 888.340.4949

sales@redmandistributing.com





TERMS AND CONDITIONS OF SALE

1. Terms:
 - a. Net 30 days with approved credit.
2. Prices:
 - a. All prices are subject to change at any time without notice.
3. Cancellation:
 - a. Hoods which are fabricated to purchase orders are non-cancelable upon acceptance by the factory.
 - b. Any change orders must be confirmed in writing to Vent-A-Hood® at the address below and are subject to our ability to conform.

Redman Distributing Inc
395 Dobbie Drive
Cambridge, Ontario, N1T 1S8
4. Returns:
 - a. No merchandise may be returned without written consent and shipping instructions.
 - b. Authorized returns are subject to a Minimum 25% restocking charge and freight charges.
 - c. Special order items are not subject to return or cancellation.
5. Vent-A-Hood® Warranty
 - a. Vent-A-Hood® merchandise is manufactured in accordance with Vent-A-Hood®'s high standards and carries a limited warranty.
 - b. Vent-A-Hood® Magic Lung® Warranty:

Vent-A-Hood® warrants to the original consumer-purchaser its Magic Lung® products to be free of defects in material and workmanship for a period of five years on parts and one year on labor from the date of purchase with the following limitations:

 - A. Freight damage
 - B. Blower wheel damage
 - C. Light bulbs
 - D. Damage or malfunction caused by faulty installation
 - E. Incidental or consequential damage
 - F. Commercial application
 - G. Misapplication or modification of or to any part of the Vent-A-Hood® product
 - c. Vent-A-Hood® V-Line, ARS, M Series, and Remote Blower Warranty:

Vent-A-Hood warrants to the original consumer-purchaser its products to be free of defects in material and workmanship for a period of one year from the date of purchase with the following limitations:

 - A. Freight damage
 - B. Blower wheel damage
 - C. Light bulbs
 - D. Damage or malfunction caused by faulty installation
 - E. Incidental or consequential damage
 - F. Commercial application
 - G. Misapplication or modification of or to any part of the Vent-A-Hood® product
 - d. To make a warranty claim, contact the dealer where the hood was purchased. They will contact the appropriate service agents. It is not necessary to register the product directly with Vent-A-Hood®.

Top Photo on Cover:
Design by Shay Geyer, Owner & Designer, IBB Design
Photography by Dan Piassick

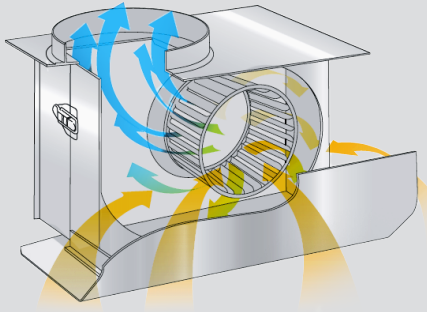


TABLE OF CONTENTS - BY APPLICATION/HOOD TYPE

MAGIC LUNG®	11	OTHER ISLAND STYLES	44
UNDER CABINET	12	LINER INSERTS	45
PRH9	12	WALL MOUNT LINER INSERTS	45
NPH9	12	BHSLD	45
SLH9	12	BHPSLD	45
XRH9	12	BHPSLB	45
CLH9	13	TLH	46
JCWR9	13	ISLAND LINER INSERTS	47
WALL MOUNT	14	THSLE	47
PROFESSIONAL/STANDARD WALL MOUNT	14	THPSLE	47
PRH18	14	CUSTOM LINER INSERTS	48
NPH18	14	BH-LD	48
SLH18	14	BH-LB	48
XRH18	15	TH-LC	49
DAH18	15	TH-LE	49
PWVH18	15	OTHER ITEMS	50
CXH30	17	BLOWER OPTIONS	50
DAH30	17	REMOTE BLOWERS	51
PWVH30	17	SPLASH PANELS	52
SLH30	18	WARMING LAMPS & SHELVES	53
AH12	19	ACCESSORY RAIL	54
CWH	20	BBQ EXTENSION	55
DESIGNER SERIES WALL MOUNT	21	BANDS, FINISHES, & POT RAILS	56
JCH/A1	21	BAND & LIP TREATMENT ATTACHMENTS	57
JCH/B1	22	DESIGNER SERIES HOOD TRIMS	58
JCH/C1	23	POWER LUNG	60
JCH/C2	24	UNDER CABINET	61
JDH/C1	24	PRH6-K	61
JDH/C2	24	SLH6-K	61
JDH/C3	25	WALL MOUNT LINER INSERT	61
JPH/C1	25	KHSLD	61
JPH/C2	25	CONTEMPORARY WALL MOUNT	62
JCWR18	16	CWEH6-K	62
WALL MOUNT CROWNS	27	GTH-K	62
CRN-D6H	27	CONTEMPORARY ISLAND	62
CRN-P6H	27	CIEH6-K	62
CRN-S6H	28	EURO-STYLE WALL MOUNT	63
CRN-S4H	28	PDH7-K	63
CRN-S3H	28	PDH14-K	63
CONTEMPORARY WALL MOUNT	29	ARS DUCT FREE	64
CWEH9	29	UNDER CABINET	65
CWLH9	29	PRAH6-K	65
CWSH3	30	SLAH6-K	65
XLH12	31	WALL MOUNT LINER INSERT	65
ZTH	32	KAHSLD	65
EURO-STYLE WALL MOUNT	33	CONTEMPORARY WALL MOUNT	66
PDH14	33	CWEAH6-K	66
PDL14	33	CONTEMPORARY ISLAND	66
SLDH14	33	CIEAH6-K	66
EPH18	34	EURO-STYLE WALL MOUNT	67
EPTH18	34	PDAH7-K	67
NEPH18	34	PDAH14-K	67
NEPTH18	34	EURO-STYLE ISLAND	68
SEPH18	35	PYDAH18-K	68
SEPTH18	35	ISDAH18-K	68
ISLAND	36	M SERIES	69
DESIGNER SERIES ISLAND	36	PROFESSIONAL WALL MOUNT	70
JCIH/A1	36	PRH18-M	70
JCIH/B1	36	PRH18-M 30D	70
JCIH/C1	37	CXH18-M	70
JDIH/C1	38	M SERIES EURO-STYLE WALL MOUNT	71
JDIH/C2	38	EPH18-M	71
JDIH/C3	39	EPH18-M 32D	71
CONTEMPORARY ISLAND	40	WALL MOUNT LINER INSERTS	72
CIEH9	40	MSLD	72
CILH9	40	MPSLD	72
IZTH	41	PARTS & ACCESSORIES	74
EURO-STYLE ISLAND	42	VENTING ACCESSORIES	74
PYDH18	42	REPLACEMENT PARTS	75
ISDH18	42		
EPIH18	42		
SEPIH18	42		
EPITH18	43		
SEPITH18	43		

TABLE OF CONTENTS - BY MODEL NUMBER

AH12	19	PWVH30	17
BH-LB	48	PYDAH18-K	68
BH-LD	48	PYDH18	42
BHPSLB	45	SEPH18	35
BHPSLD	45	SEPIH18	42
BHSLD	45	SEPITH18	43
CIEAH6-K	66	SEPTH18	35
CIEH6-K	62	SLAH6-K	65
CIEH9	40	SLDH14	33
CILH9	40	SLH6-K	61
CLH9	13	SLH9	12
CWEAH6-K	66	SLH18	14
CWEH6-K	62	SLH30	18
CWEH9	29	TH-LC	49
CWH	20	TH-LE	49
CWLH9	29	THPSLE	47
CWSH3	30	THSLE	47
CXH18-M	70	TLH	46
CXH30	17	XLH12	31
DAH18	15	XRH9	12
DAH30	17	XRH18	15
EPH18	34	ZTH	32
EPH18-M	71		
EPH18-M 32D	71		
EPIH18	42		
EPITH18	43		
EPTH18	34		
GTH-K	62		
ISDAH18-K	68		
ISDH18	42		
IZTH	41		
JCH/A1	21		
JCH/B1	22		
JCH/C1	23		
JCH/C2	24		
JCIH/A1	36		
JCIH/B1	36		
JCIH/C1	37		
JCWR9	13		
JCWR18	16		
JDH/C1	24		
JDH/C2	24		
JDH/C3	25		
JDIH/C1	38		
JDIH/C2	38		
JDIH/C3	39		
JPH/C1	25		
JPH/C2	25		
KAHSLD	65		
KHSLD	61		
MPSLD	72		
MSLD	72		
NEPH18	34		
NEPTH18	34		
NPH9	12		
NPH18	14		
PDAH7-K	67		
PDAH14-K	67		
PDH7-K	63		
PDH14	33		
PDH14-K	63		
PDL14	33		
PRAH6-K	65		
PRH6-K	61		
PRH9	12		
PRH18	14		
PRH18-M	70		
PRH18-M 30D	70		
PWVH18	15		

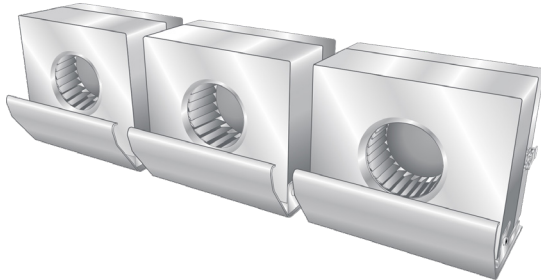
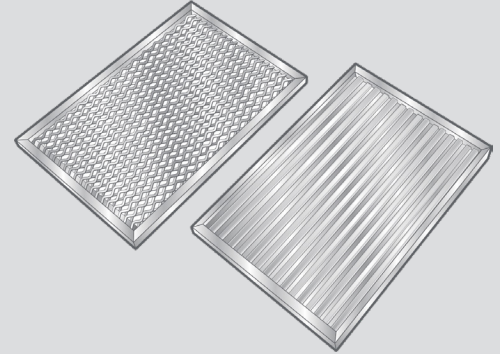


OUR PREMIUM MAGIC LUNG[®] BLOWER
CONSTANT 99% CENTRIFUGAL
GREASE EXTRACTION

GREASE EXTRACTION

The patented Magic Lung[®] centrifugal grease extractor collects 99% of the grease 100% of the time (University of Minnesota)

SCREEN/BAFFLE FILTER
5% TO 60% VARIABLE
GREASE EXTRACTION



THE QUIETEST VENTILATION AVAILABLE

300 CFM=5.4 SONES
600 CFM=6.5 SONES
900 CFM=6.3 SONES
1200 CFM=6.6 SONES

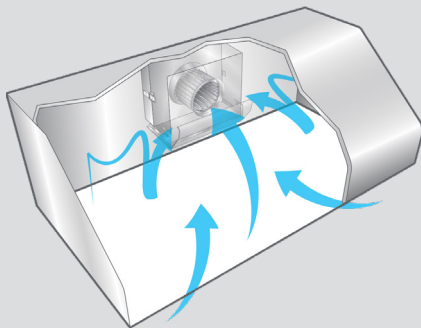
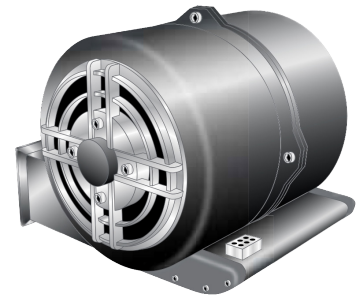
QUIET AND POWERFUL

Each Magic Lung[®] blower supplies 300 CFM of air flow—combining multiple blowers will meet any air flow requirement without increasing the noise level.

Variable speed blowers become louder and louder as CFM increases.

NOISY VARIABLE SPEED BLOWER

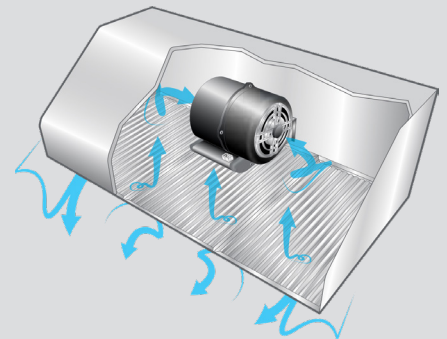
300 CFM=6.0 SONES
600 CFM=9.0 SONES
900 CFM=12.0 SONES
1200 CFM=15.0 SONES



LARGE ACTIVE CANOPY
REMOVES CONTAMINANTS

EFFICIENT

Filters obstruct air flow and spoil the collector properties of the canopy. A range hood equipped with the Magic Lung[®] blower system is a wide open, active collector that invites contaminants in. A proper collector is the most critical element for good cooking ventilation and requires 1/3 less air flow than a filter-style range hood.

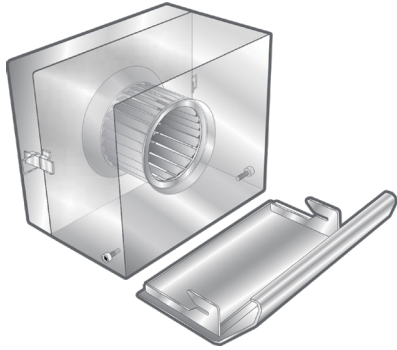


CLOSED CANOPY
RESTRICTS AIR FLOW



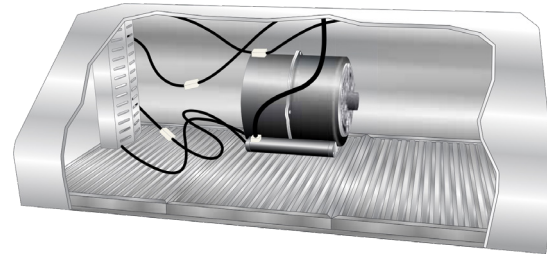
NEW, SIMPLE SLIDE-OFF GREASE TRAY

BLOWER HOUSING SNAPS APART FOR FAST CLEANING



EASY TO CLEAN

Cleaning the grease from behind the filter is nearly impossible. Access is limited by components and sharp protrusions. Even the motor gets greasy. The new in-the-shield grease tray makes routine cleaning easier than ever. If desired, the **Magic Lung**[®] blower comes apart for easy cleaning in soapy water or a dishwasher.



DIFFICULT TO CLEAN
GREASE ESCAPING THE FILTERS COATS THE MOTORS AND WIRING

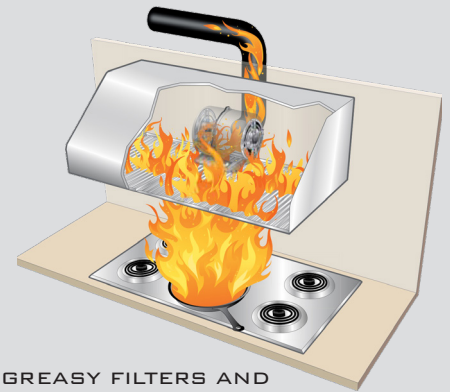


NO GREASY FILTER TO SUSTAIN A SECONDARY FIRE

FLAME HAS NO ACCESS TO SECONDARY SOURCES OF COMBUSTION

FIRE SAFETY

The **Magic Lung**[®] constant-speed blower is designed to keep grease and flame from entering the duct. In over 75 years, Vent-A-Hood has never received a report of an attic or wall fire when the **Magic Lung**[®] has been in use.



GREASY FILTERS AND DUCTING ARE FLAMMABLE

FLAME HAS DIRECT ACCESS TO MULTIPLE SOURCES OF COMBUSTION



WARRANTY



We've got you covered with the best warranty in the industry. Vent-A-Hood[®] has long been the most respected name in ventilation. Our products are guaranteed to work and we stand on over 75 years of manufacturing the highest quality ventilation products. Our family is devoted to your satisfaction.

KEYS TO SUPERIOR VENTILATION

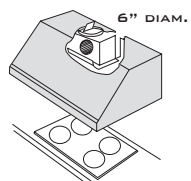
BLOWER(S) • CANOPY • DUCTING

- The first question you should ask a customer is how many BTUs or wattage are produced by the type of cooking equipment that is in their kitchen.
- The hood, blower system and ducting should be designed to handle the heat being produced from the cooking surface.
- Refer to chart below to determine how many CFM (Cubic Feet per Minute) are needed.

Match Number of Blowers to Cooking Equipment

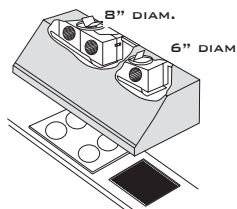
HOOD TYPE	COOKING EQUIPMENT TYPES:		MAGIC LUNG® BLOWER(S) (TRUE CFM)	COMPETITOR EQUIVALENT CFM*
	MULTI-BURNER COOKTOP RATING (BTU/WATTS)	BBQ, WOK OR GRIDDLE (BTU/WATTS)		
WALL-MOUNT OR UNDER CABINET	12,000 WATTS	12,000 WATTS	240 CFM K SERIES BLOWER 300 CFM B100 SINGLE BLOWER	360 CFM 450 CFM
UNDER-CABINET	40,000 - 60,000 BTU 24,000 WATTS	40,000 - 60,000 BTU 24,000 WATTS	600 CFM (B200 DUAL BLOWER)	900 CFM
WALL-MOUNT	40,000 - 60,000 BTU	40,000 - 60,000 BTU 24,000 WATTS	600 CFM (B200 DUAL BLOWER)	900 CFM
WALL-MOUNT	60,000 - 90,000 BTU	60,000 BTU 36,000 WATTS	900 CFM (ONE B100 SINGLE BLOWER PLUS ONE B200 DUAL BLOWER)	1350 CFM
WALL-MOUNT	80,000 - 120,000 BTU	80,000 BTU 48,000 WATTS	1200 CFM (TWO B200 DUAL BLOWERS)	1800 CFM
ISLAND	40,000 - 60,000 BTU	40,000 BTU 24,000 WATTS	550 CFM (T200 ISLAND DUAL BLOWER)	900 CFM
ISLAND	80,000 - 120,000 BTU	80,000 BTU 48,000 WATTS	1100 CFM (T400 ISLAND CLUSTER BLOWER)	1800 CFM

* Because the Magic Lung® uses centrifugal filtration units rather than conventional baffle or mesh filters, the Magic Lung® Blower can handle cooking equipment with higher cubic feet per minute (CFM) requirements and is much more efficient than other filtration systems. When comparing Magic Lung® blowers to that of other competitor units, Magic Lung CFM ratings reflect true CFM ratings. For example, a competitor's 1800 CFM blower unit has a performance equivalent CFM of 1200 CFM.

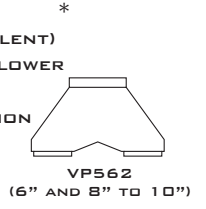


- 300 CFM (450 CFM EQUIVALENT)
- B100 SINGLE BLOWER
- 6" DIAMETER VENT

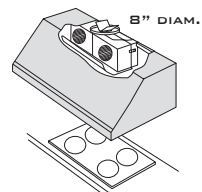
*



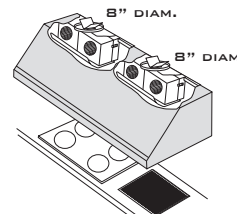
- 900 CFM (1,350 CFM EQUIVALENT)
- B200 DUAL & B100 SINGLE BLOWER
- 8" AND 6" DIAMETER VENTS
- VP562 MULTI BLOWER TRANSITION



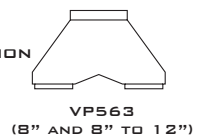
*



- 600 CFM (900 CFM EQUIVALENT)
- B200 DUAL BLOWER
- 8" DIAMETER VENT

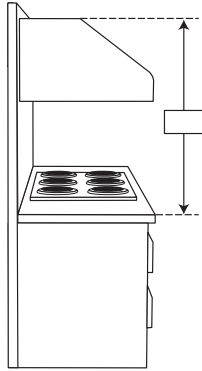


- 1200 CFM (1,800 CFM EQUIVALENT)
- TWO B200 DUAL BLOWERS
- TWO 8" DIAMETER VENTS
- VP563 MULTI BLOWER TRANSITION



KEYS TO SUPERIOR VENTILATION

CANOPY SIZE AND PLACEMENT



WHAT HEIGHT HOOD DO YOU NEED?

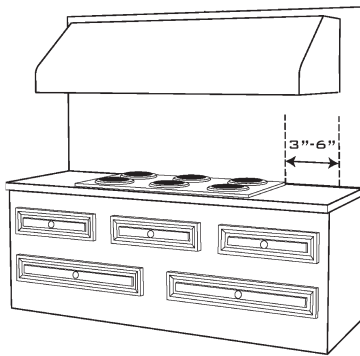
THE HOOD HEIGHT IS DEPENDENT UPON THE DISTANCE BETWEEN YOUR COOKING SURFACE AND YOUR CABINET, SOFFIT, OR CEILING.

- 6" UNDER CABINET - FOR 27" TO 30"
- 9" UNDER CABINET - FOR 30" TO 33"
- 18" WALL MOUNT - FOR 48"+
- 30" WALL MOUNT - FOR 60"+

WHAT WIDTH HOOD DO YOU NEED?

WHEREVER POSSIBLE, THE WIDTH OF THE HOOD SHOULD OVERLAP THE BURNERS 3"-6" ON EACH SIDE. THIS IS A MUST FOR ISLANDS.

- 30" 36" 42" 48"
- 54" 60" 66" CUSTOM



WHAT DEPTH HOOD DO YOU NEED?

THE HOOD SHOULD BE DEEP ENOUGH TO COVER ALL BURNERS.

- UNDER CABINET 19-1/2" OR 21" (STANDARD)
- WALL MOUNT 24" STANDARD - MOST PRO-STYLE
27" PRO-STYLE COOKING
- ISLAND HOOD 27" STANDARD COOKING
30" PRO-STYLE COOKING

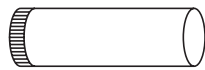
DUCTING - USE CORRECT SIZE AND INSTALL PROPERLY

DUCTING DO'S AND DON'TS

- NEVER RESTRICT DUCT SIZE
- RUN THE DUCT AS SHORT AND STRAIGHT AS POSSIBLE
- ENLARGE THE DUCT FOR LONGER RUNS (OVER 20')
- SEAL ALL JOINTS WITH DUCT TAPE
- MAINTAIN 4 TO 5 FOOT SPACING BETWEEN TURNS
- TURNS SHOULD BE SMOOTH AND GRADUAL

DUCT SIZES

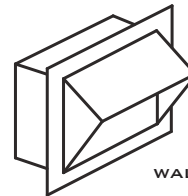
- 12 INCH ROUND DUCT = 113 SQUARE INCHES OF SPACE
- 10 INCH ROUND DUCT = 79 SQUARE INCHES OF SPACE
- 8 INCH ROUND DUCT = 50 SQUARE INCHES OF SPACE
- 7 INCH ROUND DUCT = 38 SQUARE INCHES OF SPACE
- 6 INCH ROUND DUCT = 28 SQUARE INCHES OF SPACE
- 4 INCH ROUND DUCT = 13 SQUARE INCHES OF SPACE



SMOOTH WALLED DUCT

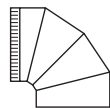


FLEXIBLE DUCT



WALL LOUVER

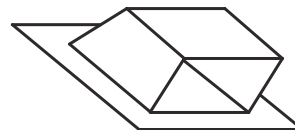
- 6" ROUND VP526
- 8" ROUND VP528
- 10" ROUND VP554
- 12" ROUND VP555



SMOOTH GRADUAL
TURN

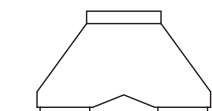


SHARP ANGLED
TURN

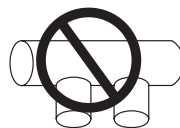


ROOF JACK

- 6" ROUND VP539-HP
- 8" ROUND VP541-HP
- 10" ROUND VP552-HP
- 12" ROUND VP553-HP



PROPER COMBINING
OF TWO DUCTS



IMPROPER COMBINING
OF TWO DUCTS

*INCLUDES GRAVITY DAMPER - USING OTHER LIKE PRODUCTS MAY JEOPARDIZE PERFORMANCE

Vent-A-Hood[®]

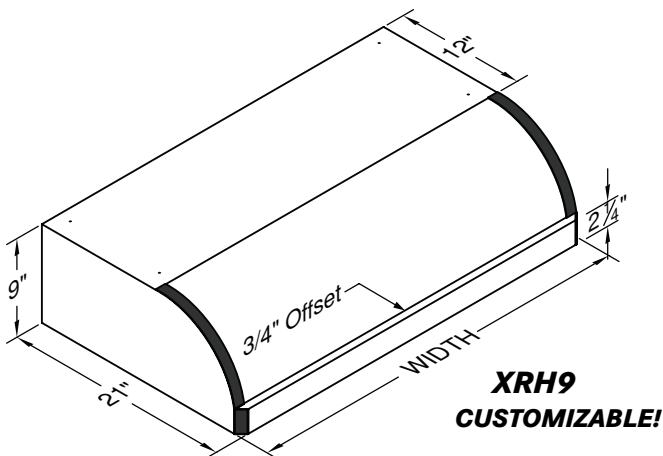
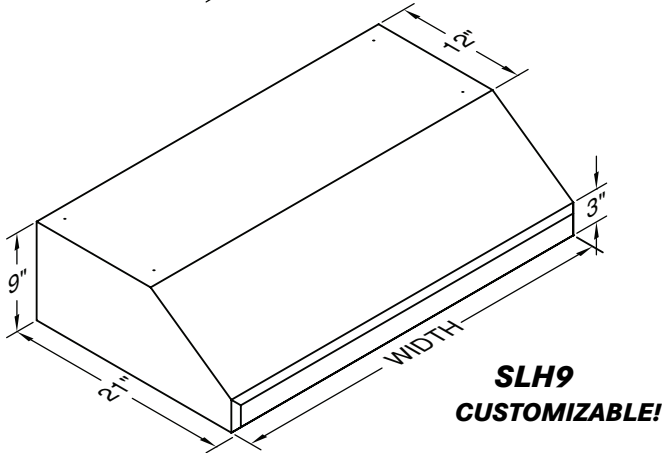
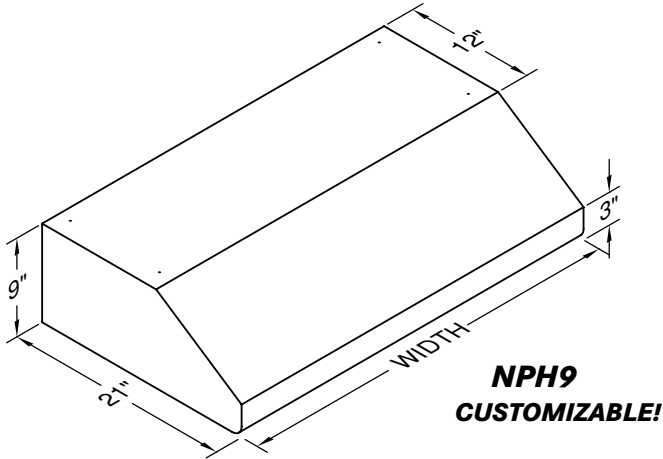
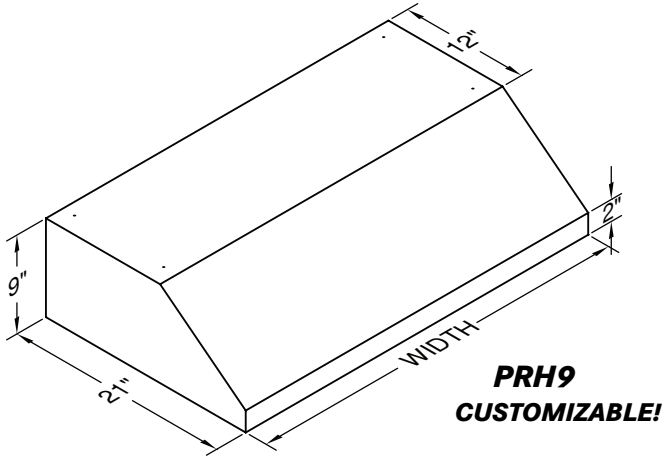
MAGIC LUNG[®] RANGE HOODS



UNDER CABINET

REC. MOUNTING HEIGHT FROM
COOKING SURFACE: 24"-27"

900 CFM OPTIONAL TRANSITION TO 10" ROUND: VP562
1200 CFM OPTIONAL TRANSITION TO 12" ROUND: VP563



PRH9

Model No.	CFM	Width	Painted	Stainless	Overlay*	#Lts
PRH9-130	300	30"	1,315	1,599	2,539	2
PRH9-136		36"	1,315	1,671	2,539	2
PRH9-142		42"	1,565	1,921	2,865	3
PRH9-148		48"	1,646	2,003	2,944	3
PRH9-230	600	30"	1,893	2,298	3,110	2
PRH9-236		36"	1,893	2,298	3,110	2
PRH9-242		42"	2,137	2,549	3,437	3
PRH9-248	900	48"	2,217	2,628	3,517	3
PRH9-342		42"	2,745	3,297	4,045	3
PRH9-348		48"	2,824	3,379	4,123	3
PRH9-448	1200	48"	3,397	4,004	4,697	3

*FOR OVERLAY MODELS, SPECIFY INTERIOR COLOR.

NPH9

Model No.	CFM	Width	Painted	Stainless	Overlay*	#Lts
NPH9-130	300	30"	1,596	2,107	3,117	2
NPH9-136		36"	1,596	2,107	3,117	2
NPH9-142		42"	1,922	2,476	3,563	3
NPH9-148		48"	2,020	2,576	3,680	3
NPH9-230	600	30"	2,167	2,734	3,690	2
NPH9-236		36"	2,167	2,734	3,690	2
NPH9-242		42"	2,495	3,101	4,132	3
NPH9-248	900	48"	2,592	3,202	4,251	3
NPH9-342		42"	3,101	3,853	4,741	3
NPH9-348		48"	3,200	3,951	4,860	3
NPH9-448	1200	48"	3,771	4,579	5,431	3

*FOR OVERLAY MODELS, SPECIFY INTERIOR COLOR.

SLH9

Model No.	CFM	Width	Painted	Stainless	Overlay*	#Lts
SLH9-130	300	30"	1,596	1,999	3,117	2
SLH9-136		36"	1,596	2,107	3,117	2
SLH9-142		42"	1,922	2,476	3,563	3
SLH9-148		48"	2,020	2,576	3,680	3
SLH9-230	600	30"	2,167	2,734	3,690	2
SLH9-236		36"	2,167	2,734	3,690	2
SLH9-242		42"	2,495	3,101	4,132	3
SLH9-248	900	48"	2,592	3,202	4,251	3
SLH9-342		42"	3,101	3,853	4,741	3
SLH9-348		48"	3,200	3,951	4,860	3
SLH9-448	1200	48"	3,771	4,579	5,431	3

*FOR OVERLAY MODELS, SPECIFY INTERIOR COLOR.

XRH9

Model No.	CFM	Width	Painted	Stainless	Overlay*	#Lts
XRH9-130	300	30"	1,671	2,215	3,285	2
XRH9-136		36"	1,671	2,215	3,285	2
XRH9-142		42"	1,966	2,538	3,638	3
XRH9-148		48"	2,070	2,639	3,761	3
XRH9-230	600	30"	2,244	2,844	3,856	2
XRH9-236		36"	2,244	2,844	3,856	2
XRH9-242		42"	2,539	3,163	4,212	3
XRH9-248	900	48"	2,641	3,266	4,332	3
XRH9-342		42"	3,146	3,914	4,818	3
XRH9-348		48"	3,249	4,016	4,940	3
XRH9-448	1200	48"	3,821	4,643	5,511	3

*FOR OVERLAY MODELS, SPECIFY INTERIOR COLOR.

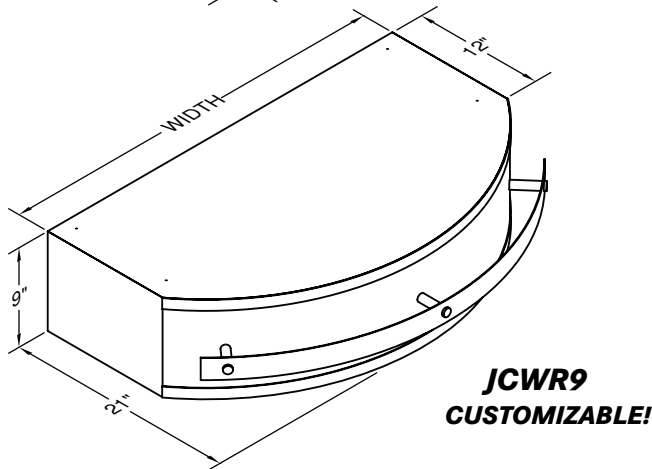
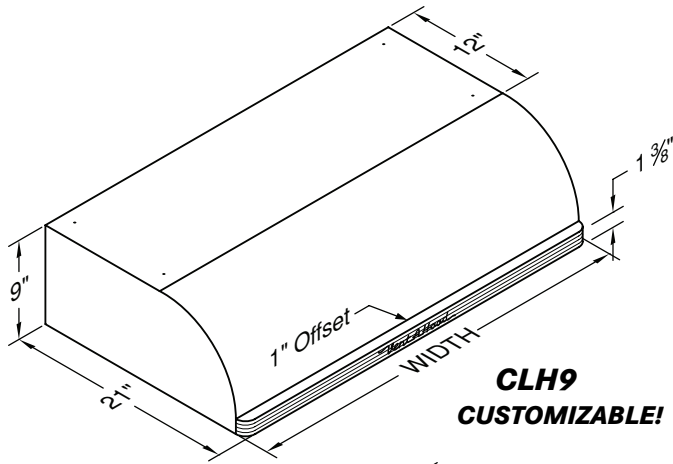
*THERE ARE NO STANDARD BANDS ON OVERLAY MODELS.

1" SS BANDS INCLUDED ON PAINTED AND STAINLESS MODELS.

UNDER CABINET

REC. MOUNTING HEIGHT FROM
COOKING SURFACE: 24"-27"

900 CFM OPTIONAL TRANSITION TO 10" ROUND: VP562
1200 CFM OPTIONAL TRANSITION TO 12" ROUND: VP563



CLH9

Model No.	CFM	Width	Painted	#Lts
CLH9-130	300	30"	1,655	2
CLH9-136		36"	1,655	2
CLH9-142		42"	1,948	3
CLH9-148		48"	2,049	3
CLH9-230	600	30"	2,222	2
CLH9-236		36"	2,222	2
CLH9-242		42"	2,515	3
CLH9-248		48"	2,615	3
CLH9-342	900	42"	3,116	3
CLH9-348		48"	3,220	3
CLH9-448	1200	48"	3,785	3

JCWR9

Model No.	CFM	Width	Stainless	#Lts
JCWR9-130	300	30"	2,869	2
JCWR9-136		36"	2,888	2
JCWR9-142		42"	3,222	3
JCWR9-148		48"	3,344	3
JCWR9-230	600	30"	3,433	2
JCWR9-236		36"	3,456	2
JCWR9-242		42"	3,789	3
JCWR9-248		48"	3,910	3
JCWR9-342	900	42"	4,641	3
JCWR9-348		48"	4,770	3
JCWR9-448	1200	48"	5,079	3

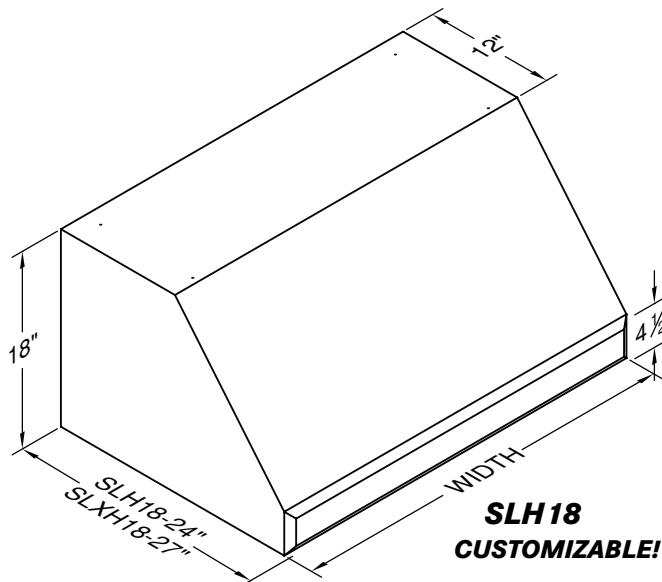
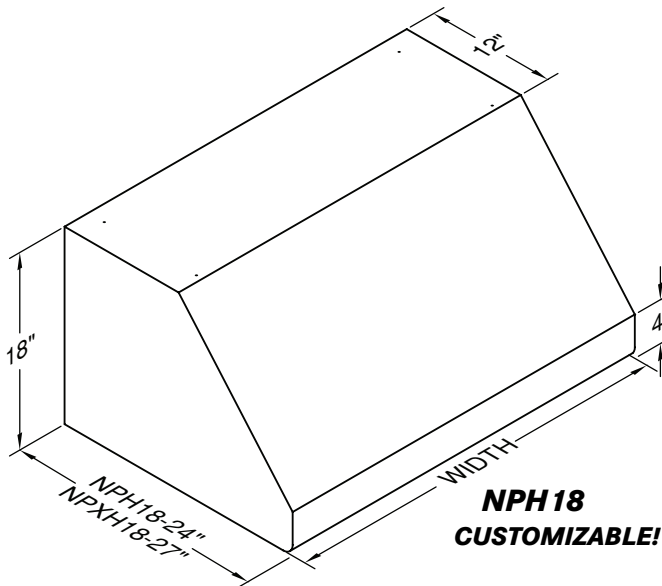
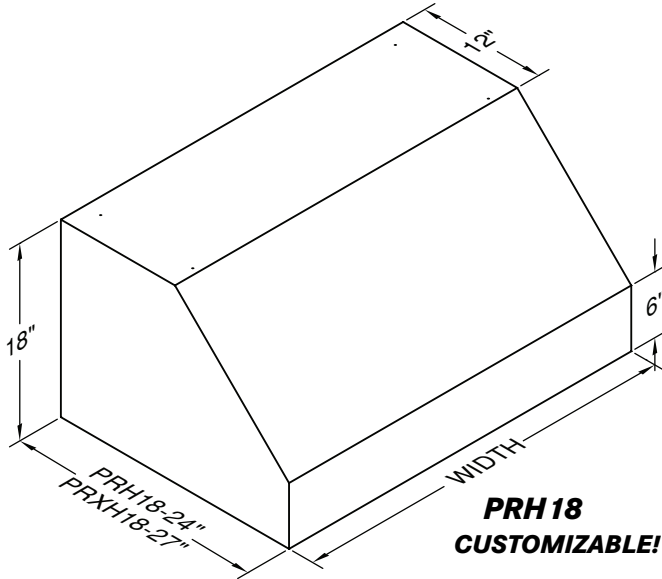
9" TALL UNDER CABINET VARIATIONS

WIDTHS OVER 48"				SPECIAL BLOWER LOCATION
FOR EACH 6" INCREMENT	PAINTED 289	STAINLESS 414	OVERLAY 514	LEFT TO RIGHT, SPECIFY COLLAR CENTERLINE
PLUS		373		ADD 373
SPECIAL WIDTH (LESS THAN 48")				REMOTE BLOWER OPTIONS
USE NEXT LARGEST SIZE ON PRICE LIST, PLUS		373		SEE PAGES 50-51 FOR REMOTE BLOWER OPTIONS
STAINLESS STEEL INTERIOR ON OVERLAY HOOD				TRIM OPTIONS
SUBTRACT PAINTED HOOD PRICE FROM STAINLESS HOOD PRICE				XR HOOD TRIM, NON-STANDARD COLOR 186
				JCWR9 / XR HOOD TRIM, REMOVE 186
CUSTOM COLOR (SEE CUSTOM COLOR CHART)				SEE PAGES 56-57 FOR FINISH AND TRIM OPTIONS
ADD		1165		WARMING LAMPS AND SHELVES
				SEE PAGES 53 FOR WARMING LAMP AND SHELF OPTIONS

PROFESSIONAL/STANDARD WALL MOUNT

REC. MOUNTING HEIGHT FROM
COOKING SURFACE: 30"

900 CFM OPTIONAL TRANSITION TO 10" ROUND: VP562
1200 CFM OPTIONAL TRANSITION TO 12" ROUND: VP563



PRH18/PRXH18

Model No.	CFM	Width	Painted	Stainless	Overlay*	# Lts
PRH18-130	300	30"	2,018	2,766	4,169	2
PRH18-136		36"	2,057	2,805	4,346	2
PRH18-142		42"	2,350	3,058	4,799	3
PRH18-148		48"	2,471	3,237	5,040	3
PRH18-230	600	30"	2,616	3,422	4,767	2
PRH18-236		36"	2,657	3,459	4,944	2
PRH18-242		42"	2,948	3,713	5,399	3
PRH18-248		48"	3,170	3,892	5,638	3
PRH18-254	900	54"	3,600	4,702	6,588	4
PRH18-342		42"	3,583	4,500	6,035	3
PRH18-348		48"	3,703	4,679	6,273	3
PRH18-354		54"	4,236	5,489	7,225	4
PRH18-360	1200	60"	4,574	5,948	7,800	4
PRH18-448		48"	4,302	5,333	6,872	3
PRH18-454		54"	4,834	6,144	7,821	4
PRH18-460		60"	5,175	6,604	8,400	4
PRH18-466		66"	5,391	6,742	8,856	4

USE PRXH18 MODEL NUMBER PREFIX FOR 27" DEPTH PROJECTION.
* FOR OVERLAY MODELS, SPECIFY INTERIOR COLOR.

NPH18/NPXH18

Model No.	CFM	Width	Painted	Stainless	Overlay*	# Lts
NPH18-130	300	30"	2,695	3,521	4,845	2
NPH18-136		36"	2,738	3,561	5,026	2
NPH18-142		42"	3,127	3,833	5,477	3
NPH18-148		48"	3,146	3,993	5,713	3
NPH18-230	600	30"	3,294	4,178	5,443	2
NPH18-236		36"	3,332	4,217	5,623	2
NPH18-242		42"	3,626	4,489	6,074	3
NPH18-248		48"	3,745	4,647	6,314	3
NPH18-254	900	54"	4,277	5,381	7,263	4
NPH18-342		42"	4,261	5,276	6,714	3
NPH18-348		48"	4,382	5,434	6,948	3
NPH18-354		54"	4,913	6,168	7,903	4
NPH18-360	1200	60"	5,252	6,623	8,500	4
NPH18-448		48"	4,982	6,091	7,548	3
NPH18-454		54"	5,511	6,822	8,500	4
NPH18-460		60"	5,850	7,279	9,099	4
NPH18-466		66"	6,091	7,557	9,535	4

USE NPXH18 MODEL NUMBER PREFIX FOR 27" DEPTH PROJECTION.
* FOR OVERLAY MODELS, SPECIFY INTERIOR COLOR.

SLH18/SLXH18

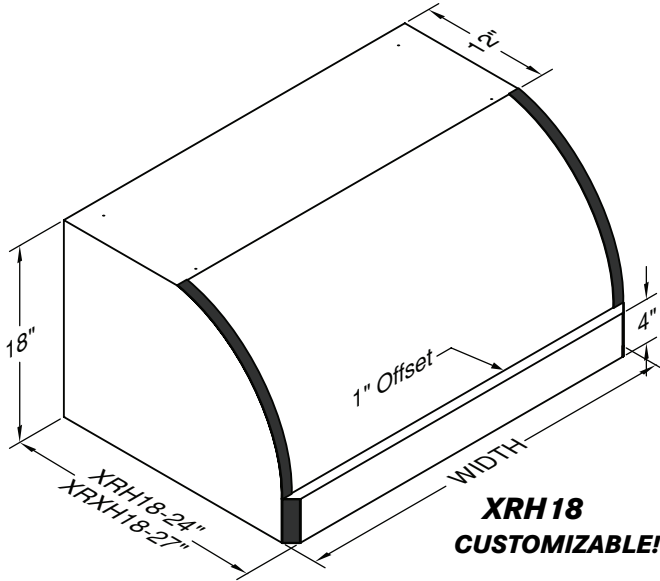
Model No.	CFM	Width	Painted	Stainless	Overlay*	# Lts
SLH18-130	300	30"	2,695	3,521	4,845	2
SLH18-136		36"	2,738	3,561	5,026	2
SLH18-142		42"	3,127	3,833	5,477	3
SLH18-148		48"	3,146	3,993	5,713	3
SLH18-230	600	30"	3,294	4,178	5,443	2
SLH18-236		36"	3,332	4,217	5,623	2
SLH18-242		42"	3,626	4,489	6,074	3
SLH18-248		48"	3,745	4,647	6,314	3
SLH18-254	900	54"	4,277	5,381	7,263	4
SLH18-342		42"	4,261	5,276	6,714	3
SLH18-348		48"	4,382	5,434	6,948	3
SLH18-354		54"	4,913	6,168	7,903	4
SLH18-360	1200	60"	5,252	6,623	8,500	4
SLH18-448		48"	4,982	6,091	7,548	3
SLH18-454		54"	5,511	6,822	8,500	4
SLH18-460		60"	5,850	7,279	9,099	4
SLH18-466		66"	6,091	7,557	9,535	4

USE SLXH18 MODEL NUMBER PREFIX FOR 27" DEPTH PROJECTION.
* FOR OVERLAY MODELS, SPECIFY INTERIOR COLOR.

PROFESSIONAL/STANDARD WALL MOUNT

REC. MOUNTING HEIGHT FROM
COOKING SURFACE: 30"

900 CFM OPTIONAL TRANSITION TO 10" ROUND: VP562
1200 CFM OPTIONAL TRANSITION TO 12" ROUND: VP563



XRH18/XRXH18

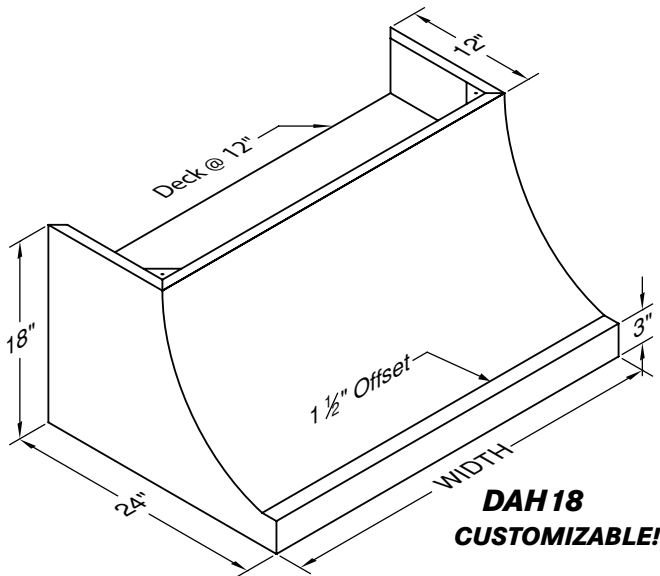
Model No.	CFM	Width	Painted	Stainless	Overlay*	# Lts
XRH18-130	300	30"	2,695	3,521	4,845	2
XRH18-136		36"	2,738	3,561	5,026	2
XRH18-142		42"	3,127	3,833	5,477	3
XRH18-148		48"	3,146	3,993	5,713	3
XRH18-230	600	30"	3,294	4,178	5,443	2
XRH18-236		36"	3,332	4,217	5,623	2
XRH18-242		42"	3,626	4,489	6,074	3
XRH18-248		48"	3,745	4,647	6,314	3
XRH18-254	900	54"	4,277	5,381	7,263	4
XRH18-342		42"	4,261	5,276	6,714	3
XRH18-348		48"	4,382	5,434	6,948	3
XRH18-354		54"	4,913	6,168	7,903	4
XRH18-360	1200	60"	5,252	6,623	8,500	4
XRH18-448		48"	4,982	6,091	7,548	3
XRH18-454		54"	5,511	6,822	8,500	4
XRH18-460		60"	5,850	7,279	9,099	4
XRH18-466		66"	6,091	7,557	9,535	4

USE XRXH18 MODEL NUMBER PREFIX FOR 27" DEPTH PROJECTION.

* FOR OVERLAY MODELS, SPECIFY INTERIOR COLOR.

* THERE ARE NO STANDARD BANDS ON OVERLAY MODELS.

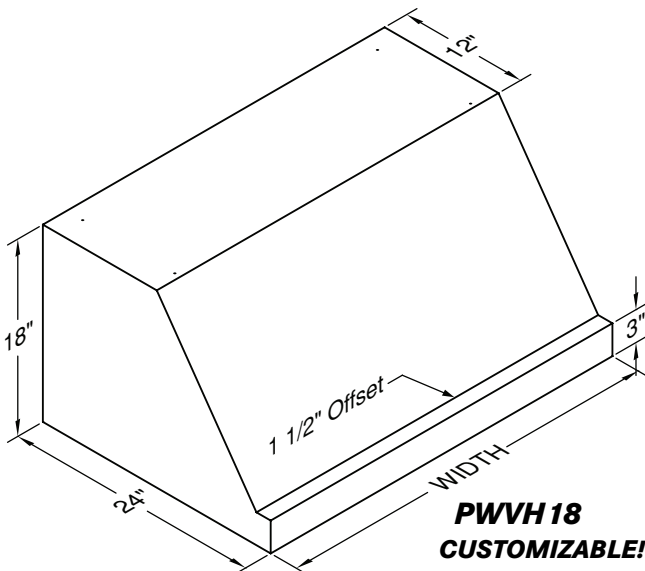
1" SS BANDS INCLUDED ON PAINTED AND STAINLESS MODELS.



DAH18

Model No.	CFM	Width	Painted	Stainless	Overlay*	# Lts
DAH18-130	300	30"	3,092	3,965	5,358	2
DAH18-136		36"	3,154	4,027	5,546	2
DAH18-142		42"	3,453	4,288	6,013	3
DAH18-148		48"	3,600	4,477	6,261	3
DAH18-230	600	30"	3,688	4,618	5,956	2
DAH18-236		36"	3,750	4,682	6,144	2
DAH18-242		42"	4,053	4,942	6,612	3
DAH18-248		48"	4,199	5,131	6,861	3
DAH18-254	900	54"	4,729	5,893	7,849	4
DAH18-342		42"	4,687	5,729	7,248	3
DAH18-348		48"	4,834	5,918	7,497	3
DAH18-354		54"	5,364	6,680	8,485	4
DAH18-360	1200	60"	5,719	7,160	9,088	4
DAH18-448		48"	5,434	6,573	8,096	3
DAH18-454		54"	5,963	7,336	9,084	4
DAH18-460		60"	6,317	7,815	9,686	4
DAH18-466		66"	6,545	8,109	10,166	4

* FOR OVERLAY MODELS, SPECIFY INTERIOR COLOR.



PWVH18

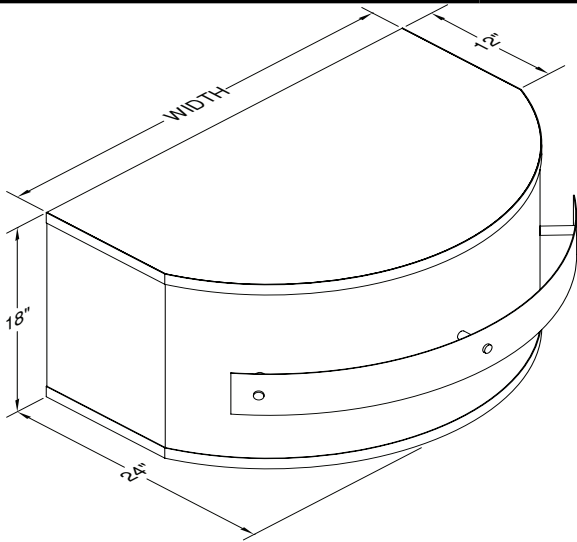
Model No.	CFM	Width	Painted	Stainless	Overlay*	# Lts
PWVH18-130	300	30"	3,092	3,965	5,358	2
PWVH18-136		36"	3,154	4,027	5,546	2
PWVH18-142		42"	3,453	4,288	6,013	3
PWVH18-148		48"	3,600	4,477	6,261	3
PWVH18-230	600	30"	3,688	4,618	5,956	2
PWVH18-236		36"	3,750	4,682	6,144	2
PWVH18-242		42"	4,053	4,942	6,612	3
PWVH18-248		48"	4,199	5,131	6,861	3
PWVH18-254	900	54"	4,729	5,893	7,849	4
PWVH18-342		42"	4,687	5,729	7,248	3
PWVH18-348		48"	4,834	5,918	7,497	3
PWVH18-354		54"	5,364	6,680	8,485	4
PWVH18-360	1200	60"	5,719	7,160	9,088	4
PWVH18-448		48"	5,434	6,573	8,096	3
PWVH18-454		54"	5,963	7,336	9,084	4
PWVH18-460		60"	6,317	7,815	9,686	4
PWVH18-466		66"	6,545	8,109	10,166	4

* FOR OVERLAY MODELS, SPECIFY INTERIOR COLOR.

PROFESSIONAL/STANDARD WALL MOUNT

REC. MOUNTING HEIGHT FROM
COOKING SURFACE: 30"

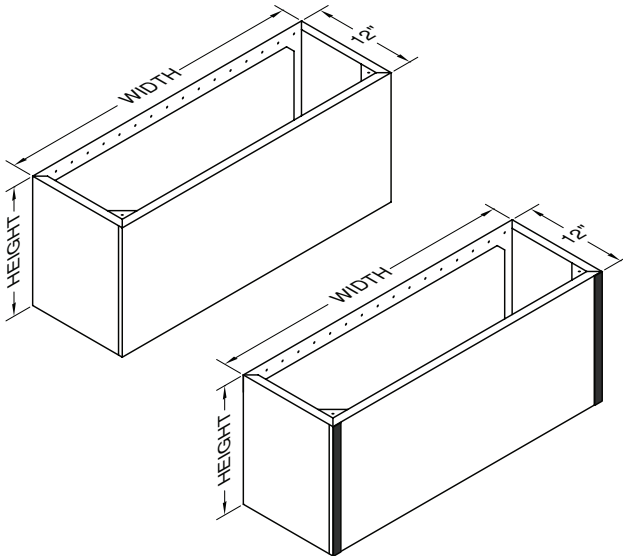
900 CFM OPTIONAL TRANSITION TO 10" ROUND: VP562
1200 CFM OPTIONAL TRANSITION TO 12" ROUND: VP563



JCWR18

JCWR18

Model No.	CFM	Width	Stainless	# Lts
JCWR18-130	300	30"	4,339	2
JCWR18-136		36"	4,444	2
JCWR18-142		42"	4,787	3
JCWR18-148		48"	4,953	3
JCWR18-230	600	30"	4,919	2
JCWR18-236		36"	5,023	2
JCWR18-242		42"	5,368	3
JCWR18-248		48"	5,534	3
JCWR18-254	900	54"	6,570	4
JCWR18-342		42"	5,983	3
JCWR18-348		48"	6,151	3
JCWR18-354		54"	7,185	4
JCWR18-360	1200	60"	7,812	4
JCWR18-448		48"	6,730	3
JCWR18-454		54"	7,765	4
JCWR18-460		60"	8,393	4
JCWR18-466		66"	8,436	4



WDCRND/XDCRND

Model No.	Width	Height	Painted	Stainless	Overlay	Ceiling
WDCRND-30	30"	12"	842	994	1,224	8'
WDCRND-30/24		24"	1,108	1,396	1,872	9'
WDCRND-30/36		36"	1,355	1,816	2,503	10'
WDCRND-36	36"	12"	899	1,069	1,355	8'
WDCRND-36/24		24"	1,203	1,567	2,122	9'
WDCRND-36/36		36"	1,530	2,064	2,886	10'
WDCRND-42	42"	12"	957	1,165	1,472	8'
WDCRND-42/24		24"	1,320	1,739	2,371	9'
WDCRND-42/36		36"	1,682	2,313	3,268	10'
WDCRND-48	48"	12"	994	1,243	1,605	8'
WDCRND-48/24		24"	1,415	1,893	2,638	9'
WDCRND-48/36		36"	1,836	2,543	3,649	10'
WDCRND-54	54"	12"	1,050	1,320	1,739	8'
WDCRND-60	60"	12"	1,108	1,396	1,872	8'
WDCRND-66	66"	12"	1,165	1,492	1,987	8'
CUSTOM	WIDTH X HEIGHT X		0.77	1.24	1.94	
	PLUS					639
FINISHED TOP	WIDTH X DEPTH X		0.77	1.24	1.94	
	PLUS					373
SLOPED TOP •	ADD					639

USE XDCRND MODEL NUMBER PREFIX FOR XRH18/XRXH18 HOODS.
1" SS BANDS INCLUDED ON PAINTED AND STAINLESS XDCRND MODELS.
CEILING BASED ON REC. MAXIMUM MOUNTING HEIGHT FOR 18" T WALL MOUNT HOOD.
• SPECIFY FRONT TO BACK OR LEFT TO RIGHT DIMENSIONS.

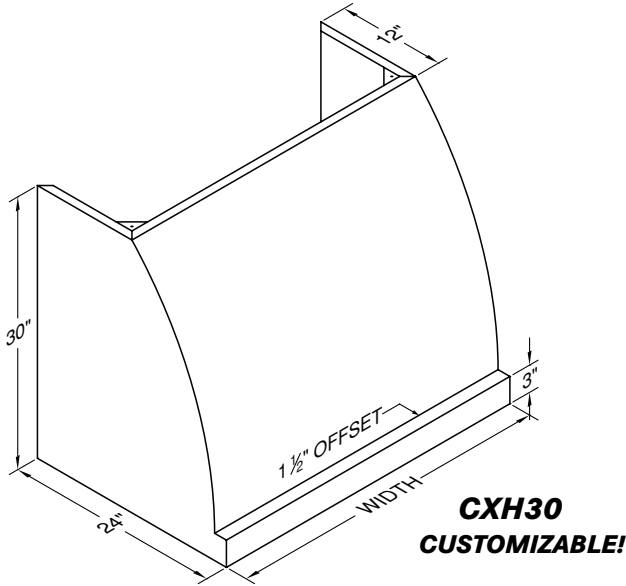
18" TALL WALL MOUNT HOOD VARIATIONS

WIDTHS OVER 66"				CLIPPED CORNER (NON-NP/SL/XR MODELS)	
FOR EACH 6" INCREMENT	PAINTED	STAINLESS	OVERLAY	PER CORNER, ADD	639
PLUS	289	414	514		
SPECIAL WIDTH (LESS THAN 66")				SPECIAL BLOWER LOCATION	
USE NEXT LARGEST SIZE ON PRICE LIST,				LEFT TO RIGHT, SPECIFY COLLAR CENTERLINE	
PLUS		373		ADD	373
SPECIAL HEIGHT (LESS THAN STANDARD HOOD HEIGHT)				SPECIAL DECK (9" MINIMUM)	
USE STANDARD HOOD PRICE,				ADD	373
PLUS		639			
DEPTH OVER 24" (EXCLUDING 27" WHERE APPLICABLE)				STAINLESS STEEL INTERIOR ON OVERLAY HOOD	
WIDTH X EXTRA DEPTH X	PAINTED	STAINLESS	OVERLAY	SUBTRACT PAINTED HOOD PRICE FROM STAINLESS HOOD PRICE	
PLUS	1.85	2.71	3.69		
SPECIAL DEPTH (LESS THAN 24")				ADDITIONAL BLOWERS & LIGHTS	
USE STANDARD HOOD PRICE,				SEE PAGE 50 FOR BLOWER OPTIONS	
PLUS		639		REMOTE BLOWER OPTIONS	
SLOPE, LIP, OFFSET, OR TOP VARIATION				SEE PAGES 50-51 FOR REMOTE BLOWER OPTIONS	
PER VARIATION, ADD		639		CUSTOM COLOR (SEE CUSTOM COLOR CHART)	
CONCAVE, CONVEX, SLOPED END (NON-OVERLAY SL MODELS)				ADD	1165
TOP WIDTH REDUCED BY 6" EACH. PER END, ADD			639	TRIM OPTIONS	
				XR HOOD TRIM, NON-STANDARD COLOR	186
				JCWR18/XR HOOD TRIM, REMOVE	186
				SEE PAGES 56-57 FOR FINISH AND TRIM OPTIONS	
				WARMING LAMPS AND SHELVES	
				SEE PAGES 53 FOR WARMING LAMP AND SHELF OPTIONS	

PROFESSIONAL/STANDARD WALL MOUNT

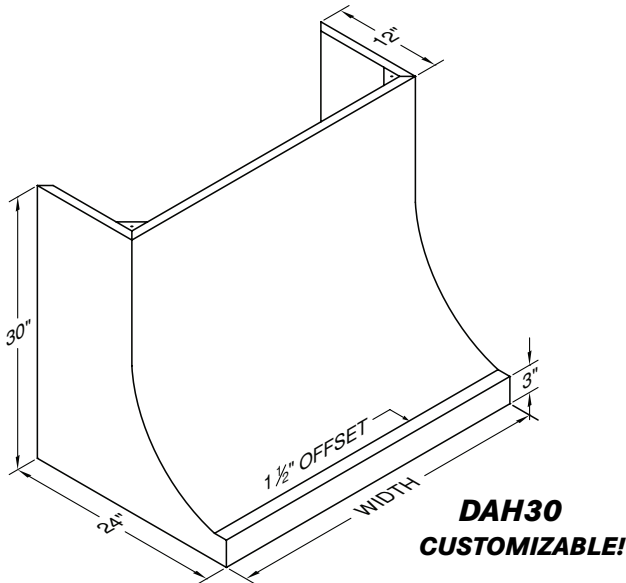
REC. MOUNTING HEIGHT FROM
COOKING SURFACE: 30"

900 CFM OPTIONAL TRANSITION TO 10" ROUND: VP562
1200 CFM OPTIONAL TRANSITION TO 12" ROUND: VP563



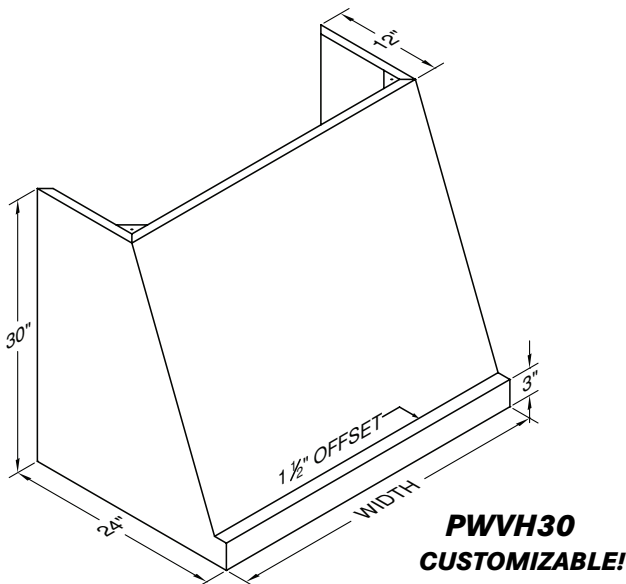
CXH30						
Model No.	CFM	Width	Painted	Stainless	Overlay*	# Lts
CXH30-130	300	30"	4,051	5,472	7,688	2
CXH30-136		36"	4,267	5,771	8,246	2
CXH30-142		42"	4,726	6,315	9,108	3
CXH30-148		48"	5,027	6,703	9,752	3
CXH30-230	600	30"	4,651	6,126	8,288	2
CXH30-236		36"	4,867	6,427	8,845	2
CXH30-242		42"	5,324	6,971	9,708	3
CXH30-248		48"	5,625	7,360	10,352	3
CXH30-254	900	54"	6,450	8,531	11,919	4
CXH30-342		42"	5,960	7,757	10,345	3
CXH30-348		48"	6,261	8,146	10,989	3
CXH30-354		54"	7,088	9,315	12,555	4
CXH30-360	1200	60"	7,648	10,066	13,585	4
CXH30-448		48"	6,861	8,801	11,588	3
CXH30-454		54"	7,686	9,972	13,154	4
CXH30-460		60"	8,246	10,722	14,180	4
CXH30-466		66"	8,652	11,282	15,058	4

*FOR OVERLAY MODELS, SPECIFY INTERIOR COLOR.



DAH30						
Model No.	CFM	Width	Painted	Stainless	Overlay*	# Lts
DAH30-130	300	30"	4,051	5,472	7,688	2
DAH30-136		36"	4,267	5,771	8,246	2
DAH30-142		42"	4,726	6,315	9,108	3
DAH30-148		48"	5,027	6,703	9,752	3
DAH30-230	600	30"	4,651	6,126	8,288	2
DAH30-236		36"	4,867	6,427	8,845	2
DAH30-242		42"	5,324	6,971	9,708	3
DAH30-248		48"	5,625	7,360	10,352	3
DAH30-254	900	54"	6,450	8,531	11,919	4
DAH30-342		42"	5,960	7,757	10,345	3
DAH30-348		48"	6,261	8,146	10,989	3
DAH30-354		54"	7,088	9,315	12,555	4
DAH30-360	1200	60"	7,648	10,066	13,585	4
DAH30-448		48"	6,861	8,801	11,588	3
DAH30-454		54"	7,686	9,972	13,154	4
DAH30-460		60"	8,246	10,722	14,180	4
DAH30-466		66"	8,652	11,282	15,058	4

*FOR OVERLAY MODELS, SPECIFY INTERIOR COLOR.



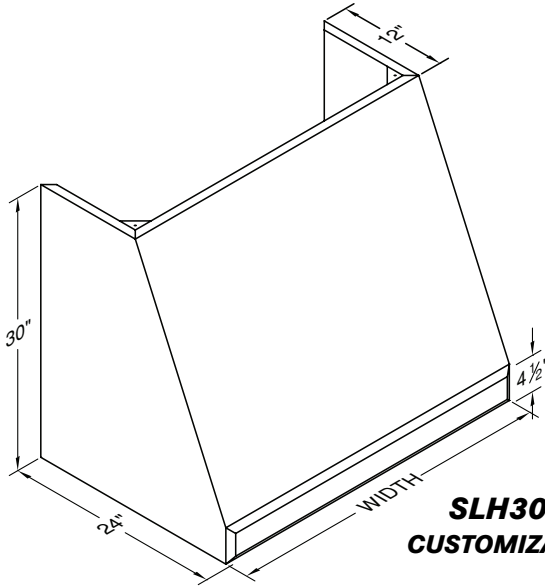
PWVH30						
Model No.	CFM	Width	Painted	Stainless	Overlay*	# Lts
PWVH30-130	300	30"	4,051	5,472	7,688	2
PWVH30-136		36"	4,267	5,771	8,246	2
PWVH30-142		42"	4,726	6,315	9,108	3
PWVH30-148		48"	5,027	6,703	9,752	3
PWVH30-230	600	30"	4,651	6,126	8,288	2
PWVH30-236		36"	4,867	6,427	8,845	2
PWVH30-242		42"	5,324	6,971	9,708	3
PWVH30-248		48"	5,625	7,360	10,352	3
PWVH30-254	900	54"	6,450	8,531	11,919	4
PWVH30-342		42"	5,960	7,757	10,345	3
PWVH30-348		48"	6,261	8,146	10,989	3
PWVH30-354		54"	7,088	9,315	12,555	4
PWVH30-360	1200	60"	7,648	10,066	13,585	4
PWVH30-448		48"	6,861	8,801	11,588	3
PWVH30-454		54"	7,686	9,972	13,154	4
PWVH30-460		60"	8,246	10,722	14,180	4
PWVH30-466		66"	8,652	11,282	15,058	4

*FOR OVERLAY MODELS, SPECIFY INTERIOR COLOR.

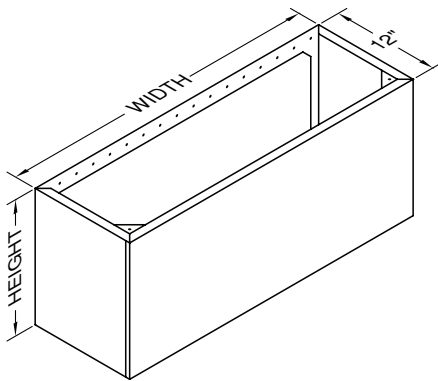
PROFESSIONAL/STANDARD WALL MOUNT

REC. MOUNTING HEIGHT FROM
COOKING SURFACE: 30"

900 CFM OPTIONAL TRANSITION TO 10" ROUND: VP562
1200 CFM OPTIONAL TRANSITION TO 12" ROUND: VP563



SLH30
CUSTOMIZABLE!



SLH30

Model No.	CFM	Width	Painted	Stainless	Overlay*	# Lts
SLH30-130	300	30"	4,051	5,472	7,688	2
SLH30-136		36"	4,267	5,771	8,246	2
SLH30-142		42"	4,726	6,315	9,108	3
SLH30-148		48"	5,027	6,703	9,752	3
SLH30-230	600	30"	4,651	6,126	8,288	2
SLH30-236		36"	4,867	6,427	8,845	2
SLH30-242		42"	5,324	6,971	9,708	3
SLH30-248		48"	5,625	7,360	10,352	3
SLH30-254	900	54"	6,450	8,531	11,919	4
SLH30-342		42"	5,960	7,757	10,345	3
SLH30-348		48"	6,261	8,146	10,989	3
SLH30-354		54"	7,088	9,315	12,555	4
SLH30-360	1200	60"	7,648	10,066	13,585	4
SLH30-448		48"	6,861	8,801	11,588	3
SLH30-454		54"	7,686	9,972	13,154	4
SLH30-460		60"	8,246	10,722	14,180	4
SLH30-466		66"	8,652	11,282	15,058	4

*FOR OVERLAY MODELS, SPECIFY INTERIOR COLOR.

WDCRND

Model No.	Width	Height	Painted	Stainless	Overlay	Ceiling
WDCRND-30	30"	12"	842	994	1,224	9'
WDCRND-30/24		24"	1,108	1,396	1,872	10'
WDCRND-30/36		36"	1,355	1,816	2,503	11'
WDCRND-36	36"	12"	899	1,069	1,355	9'
WDCRND-36/24		24"	1,203	1,567	2,122	10'
WDCRND-36/36		36"	1,530	2,064	2,886	11'
WDCRND-42	42"	12"	957	1,165	1,472	9'
WDCRND-42/24		24"	1,320	1,739	2,371	10'
WDCRND-42/36		36"	1,682	2,313	3,268	11'
WDCRND-48	48"	12"	994	1,243	1,605	9'
WDCRND-48/24		24"	1,415	1,893	2,638	10'
WDCRND-48/36		36"	1,836	2,543	3,649	11'
WDCRND-54	54"	12"	1,050	1,320	1,739	9'
WDCRND-60	60"	12"	1,108	1,396	1,872	9'
WDCRND-66	66"	12"	1,165	1,492	1,987	9'
CUSTOM	WIDTH X HEIGHT X PLUS		0.77	1.24	1.94	639
FINISHED TOP	WIDTH X DEPTH X PLUS		0.77	1.24	1.94	373
SLOPED TOP*	ADD					639

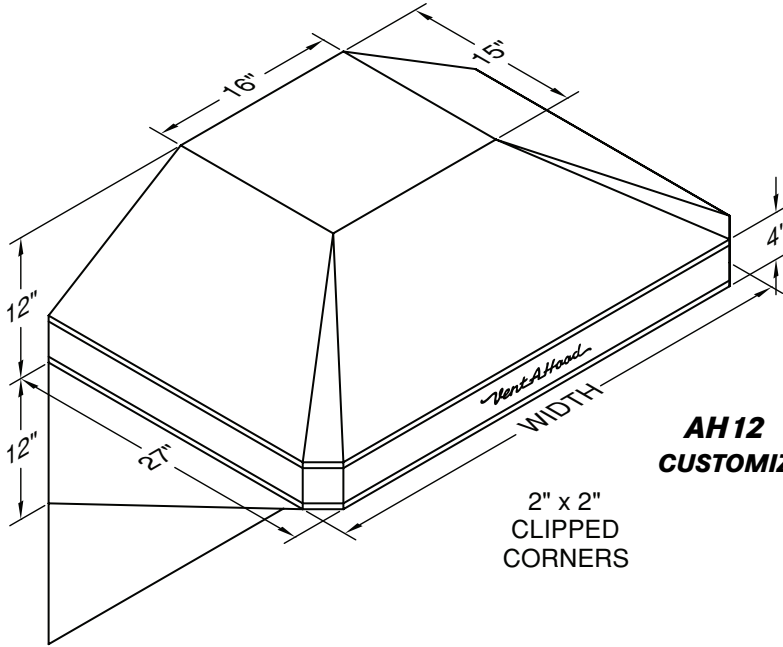
CEILING BASED ON REC. MAXIMUM MOUNTING HEIGHT FOR 30" T WALL MOUNT HOOD.
*SPECIFY FRONT TO BACK OR LEFT TO RIGHT DIMENSIONS.

30" TALL WALL MOUNT HOOD VARIATIONS

WIDTHS OVER 66"				CONCAVE, CONVEX, SLOPED END (NON-OVERLAY SL MODELS)
FOR EACH 6" INCREMENT	PAINTED 289	STAINLESS 414	OVERLAY 514	TOP WIDTH REDUCED BY 6" EACH. PER END, ADD 639
PLUS		373		CLIPPED CORNER (NON-NP/SL/XR MODELS)
SPECIAL WIDTH (LESS THAN 66")				PER CORNER, ADD 639
USE NEXT LARGEST SIZE ON PRICE LIST, PLUS		373		SPECIAL BLOWER LOCATION
HEIGHT OVER 30"				LEFT TO RIGHT, SPECIFY COLLAR CENTERLINE
WIDTH X EXTRA HEIGHT X PLUS	PAINTED 1.85	STAINLESS 2.71	OVERLAY 3.69	ADD 373
SPECIAL HEIGHT (LESS THAN STANDARD HOOD HEIGHT)				SPECIAL DECK (9" MINIMUM, 12" STANDARD)
USE STANDARD HOOD PRICE, PLUS		639		ADD 373
DEPTH OVER 24" (EXCLUDING 27" WHERE APPLICABLE)				STAINLESS STEEL INTERIOR ON OVERLAY HOOD
WIDTH X EXTRA DEPTH X PLUS	PAINTED 1.85	STAINLESS 2.71	OVERLAY 3.69	SUBTRACT PAINTED HOOD PRICE FROM STAINLESS HOOD PRICE
SPECIAL DEPTH (LESS THAN 24")				ADDITIONAL BLOWERS & LIGHTS
USE STANDARD HOOD PRICE, PLUS		639		SEE PAGE 50 FOR BLOWER OPTIONS
SLOPE, LIP, OFFSET, OR TOP VARIATION				REMOTE BLOWER OPTIONS
PER VARIATION, ADD		639		SEE PAGES 50-51 FOR REMOTE BLOWER OPTIONS
				CUSTOM COLOR (SEE CUSTOM COLOR CHART)
				ADD 1165
				TRIM OPTIONS
				SEE PAGES 56-57 FOR FINISH AND TRIM OPTIONS
				WARMING LAMPS AND SHELVES
				SEE PAGES 53 FOR WARMING LAMP AND SHELF OPTIONS

PROFESSIONAL/STANDARD WALL MOUNT

REC. MOUNTING HEIGHT FROM
COOKING SURFACE: 33"



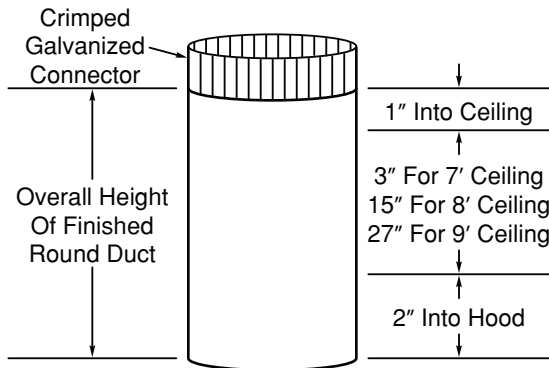
**AH12
CUSTOMIZABLE!**

2" x 2"
CLIPPED
CORNERS

AH12

Model No.	CFM	Width	Painted	# Lts
AH12-130	300	30"	2,846	2
AH12-136		36"	2,888	2
AH12-142		42"	3,198	3
AH12-148	600	48"	3,325	3
AH12-236		36"	3,487	2
AH12-242		42"	3,798	3
AH12-248		48"	3,924	3

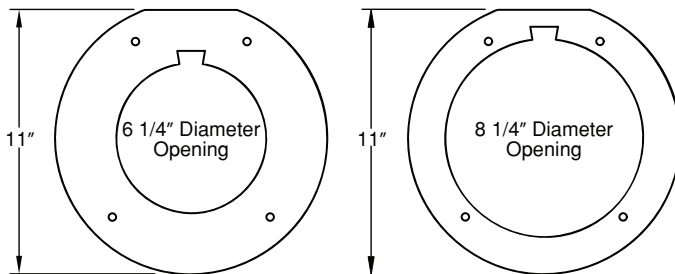
HOOD INCLUDES TWO SIDE WING PANELS AND SPLASH PANEL 30" TALL X WIDTH OF HOOD.



FINISHED DUCTS FOR AH12

Model No.	Width	Height	Painted	Ceiling
ARDC-6/6	6"	6"	117	7'
ARDC-6/18		18"	158	8'
ARDC-6/30		30"	194	9'
ARDC-8/6	8"	6"	117	7'
ARDC-8/18		18"	194	8'
ARDC-8/30		30"	235	9'
CUSTOM	WIDTH X HEIGHT X PLUS		0.77	639

NOTE: FINISHED ROUND DUCT EXTENDS 2" INTO TOP OF HOOD AND 1" INTO CEILING. CEILING BASED ON REC. MAXIMUM HOOD MOUNTING HEIGHT.



FINISHED DUCT ACCESSORIES

MODEL NO.	WIDTH	PAINTED
ARC6	6"	36
ARC8	8"	36

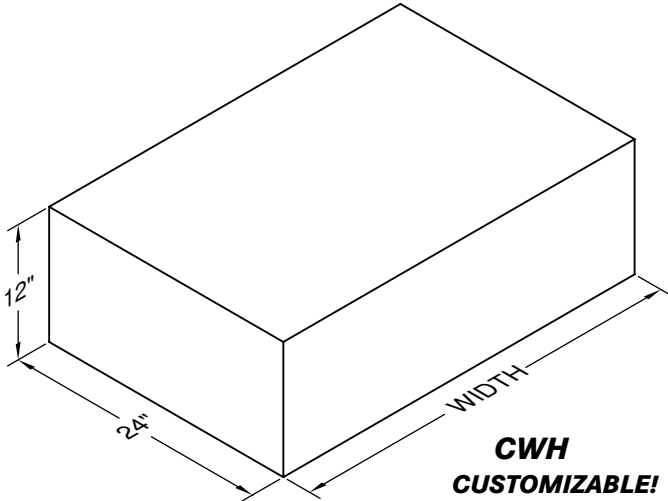
AH12 RETRO-STYLE WALL MOUNT HOOD VARIATIONS

SPECIAL WIDTH (LESS THAN 48") USE NEXT LARGEST SIZE ON PRICE LIST, PLUS	639	CUSTOM COLOR (SEE CUSTOM COLOR CHART) ADD	1165
--	-----	---	------

PROFESSIONAL/STANDARD WALL MOUNT

REC. MOUNTING HEIGHT FROM
COOKING SURFACE: 30"

900 CFM OPTIONAL TRANSITION TO 10" ROUND: VP562
1200 CFM OPTIONAL TRANSITION TO 12" ROUND: VP563



Model No.	CFM	Width	CWH			# Lts
			Painted	Stainless	Overlay*	
CWH-130	300	30"	2,665	3,684	5,033	2
CWH-136		36"	2,705	3,746	5,234	2
CWH-142		42"	3,042	4,061	5,754	3
CWH-148		48"	3,182	4,224	6,036	3
CWH-230	600	30"	3,263	4,342	5,631	2
CWH-236		36"	3,305	4,402	5,832	2
CWH-242		42"	3,640	4,717	6,353	3
CWH-248		48"	3,781	4,878	6,634	3
CWH-254	900	54"	4,502	5,863	7,680	4
CWH-342		42"	4,277	5,503	6,989	3
CWH-348		48"	4,417	5,665	7,272	3
CWH-354		54"	5,138	6,650	8,316	4
CWH-360	1200	60"	5,482	7,115	8,942	4
CWH-448		48"	5,015	6,319	7,871	3
CWH-454		54"	5,738	7,305	8,917	4
CWH-460		60"	6,082	7,771	9,543	4
CWH-466		66"	6,365	8,114	10,029	4

*FOR OVERLAY MODELS, SPECIFY INTERIOR COLOR.

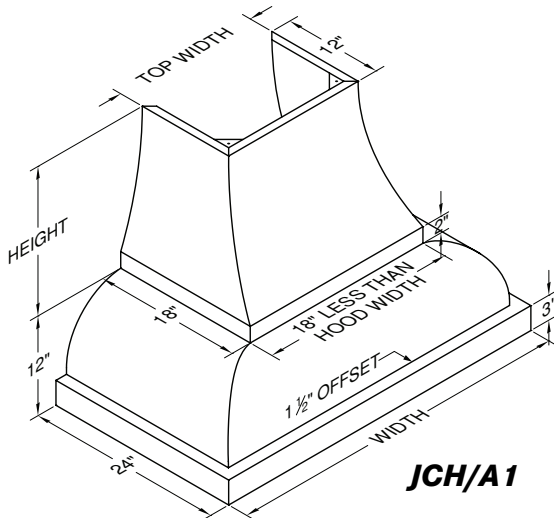
CWH WALL MOUNT HOOD VARIATIONS

WIDTHS OVER 66"				ROUNDED CORNER
FOR EACH 6" INCREMENT	PAINTED 289	STAINLESS 414	OVERLAY 514	NO OFFSETS OR LIP, MINIMUM 4 INCH RADIUS
PLUS		373		PER CORNER, ADD 721
SPECIAL WIDTH (LESS THAN 66")				SPECIAL BLOWER LOCATION
USE NEXT LARGEST SIZE ON PRICE LIST,				LEFT TO RIGHT, SPECIFY COLLAR CENTERLINE
PLUS		373		ADD 373
SPECIAL HEIGHT (BETWEEN 9" & 12")				SPECIAL DECK (9" MINIMUM)
USE STANDARD PRICE,				ADD 373
PLUS		639		STAINLESS STEEL INTERIOR ON OVERLAY HOOD
HEIGHT OVER 12"				SUBTRACT PAINTED HOOD PRICE FROM STAINLESS HOOD PRICE
WIDTH X EXTRA HEIGHT X	PAINTED 1.85	STAINLESS 2.71	OVERLAY 3.69	ADDITIONAL BLOWERS & LIGHTS
PLUS		639		SEE PAGE 50 FOR BLOWER OPTIONS
DEPTH LESS THAN 24"				REMOTE BLOWER OPTIONS
ADD		639		SEE PAGES 50-51 FOR REMOTE BLOWER OPTIONS
DEPTH OVER 24"				CUSTOM COLOR (SEE CUSTOM COLOR CHART)
WIDTH X EXTRA DEPTH X	PAINTED 1.85	STAINLESS 2.71	OVERLAY 3.69	ADD 1165
PLUS		639		TRIM OPTIONS
LIP AND OFFSET				SEE PAGES 56-57 FOR FINISH AND TRIM OPTIONS
1, 2 OR 3 SIDES, ADD		639		WARMING LAMPS AND SHELVES
				SEE PAGES 53 FOR WARMING LAMP AND SHELF OPTIONS

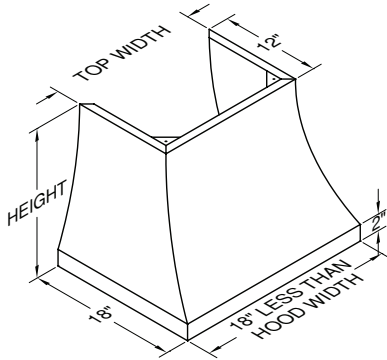
DESIGNER SERIES WALL MOUNT

REC. MOUNTING HEIGHT FROM
COOKING SURFACE: 30"

900 CFM & 1200 CFM MODELS:
TRANSITION INCLUDED IN HOOD



SHOWN WITH
MATCHING DUCT COVER
(SOLD SEPARATELY)



JCH/A1

Model No.	CFM	Width	Top W.	Painted	Stainless	Overlay*	# Lts
JCH136/A1	300	36"	18"	3,619	4,452	5,846	2
JCH142/A1		42"	24"	3,906	4,698	6,300	3
JCH148/A1	600	48"	30"	4,049	4,883	6,530	3
JCH236/A1		36"	18"	4,196	5,085	6,426	2
JCH242/A1		42"	24"	4,483	5,331	6,881	3
JCH248/A1		48"	30"	4,628	5,517	7,110	3
JCH348/A1	900*	48"	30"	5,245	6,278	7,727	3
JCH354/A1		54"	36"	6,213	7,484	9,131	4
JCH360/A1		60"	42"	6,442	7,796	9,609	4
JCH454/A1	1200+	54"	36"	6,792	8,118	9,712	4
JCH460/A1		60"	42"	7,021	8,435	10,190	4
JCH466/A1		66"	48"	7,297	8,799	10,693	4

*FOR OVERLAY HOODS, SPECIFY INTERIOR COLOR.
*VP562 TRANSITION TO 10" ROUND INCLUDED.
+VP563 TRANSITION TO 12" ROUND INCLUDED.

DUCT COVERS FOR JCH/A1

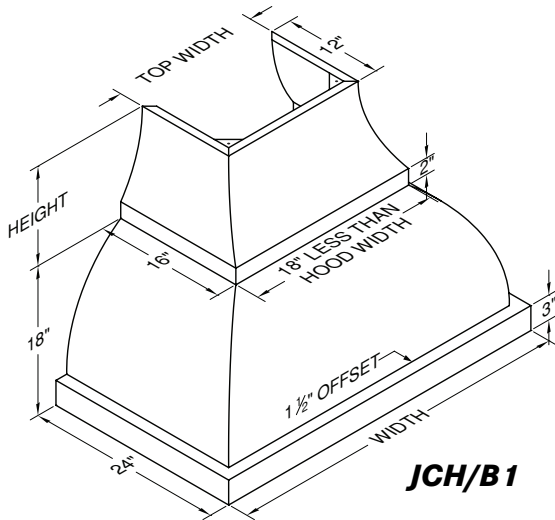
Model No.	Width	Top W.	Height	Painted	Stainless	Overlay*	Ceiling
CDC-18/12/18	18"	12"	18"	1,382	1,521	1,716	8'
CDC-18/12/30		12"	30"	2,007	2,241	2,592	9'
CDC-18/12/42	24"	12"	42"	2,163	2,493	3,001	10'
CDC-24/12/18		18"	18"	1,463	1,636	1,909	8'
CDC-24/12/30		12"	30"	2,144	2,457	2,924	9'
CDC-24/12/42		12"	42"	2,357	2,785	3,468	10'
CDC-30/12/18	30"	24"	18"	1,539	1,754	2,103	8'
CDC-30/12/30		12"	30"	2,280	2,668	3,254	9'
CDC-30/12/42	36"	12"	42"	2,552	3,096	3,937	10'
CDC-36/12/18		30"	18"	1,617	1,890	2,300	8'
CDC-36/12/30		18"	30"	2,417	2,884	3,587	9'
CDC-36/12/42		18"	42"	2,749	3,389	4,402	10'
CDC-42/12/18	42"	36"	18"	1,696	2,007	2,475	8'
CDC-42/12/30		24"	30"	2,552	3,096	3,937	9'
CDC-42/12/42		18"	42"	2,942	3,702	4,849	10'
CDC-48/12/18	48"	42"	18"	1,774	2,125	2,668	8'
CDC-48/12/30		30"	30"	2,689	3,313	4,265	9'
CDC-48/12/42		24"	42"	3,136	3,995	5,318	10'

*TRIM REQUIRED ON MODELS EXCEEDING 35" WIDTH AND 30" HEIGHT.
CEILING BASED ON REC. MAXIMUM HOOD MOUNTING HEIGHT.

DESIGNER SERIES WALL MOUNT

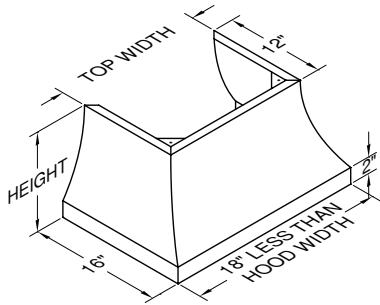
REC. MOUNTING HEIGHT FROM
COOKING SURFACE: 30"

900 CFM & 1200 CFM MODELS:
TRANSITION INCLUDED IN HOOD



JCH/B1

SHOWN WITH
MATCHING DUCT COVER
(SOLD SEPARATELY)



JCH/B1

Model No.	CFM	Width	Top W.	Painted	Stainless	Overlay*	# Lts
JCH136/B1	300	36"	18"	3,619	4,452	5,846	2
JCH142/B1		42"	24"	3,906	4,698	6,300	3
JCH148/B1		48"	30"	4,049	4,883	6,530	3
JCH236/B1	600	36"	18"	4,196	5,085	6,426	2
JCH242/B1		42"	24"	4,483	5,331	6,881	3
JCH248/B1		48"	30"	4,628	5,517	7,110	3
JCH348/B1	900*	48"	30"	5,245	6,278	7,727	3
JCH354/B1		54"	36"	6,213	7,484	9,131	4
JCH360/B1		60"	42"	6,442	7,796	9,609	4
JCH454/B1	1200+	54"	36"	6,792	8,118	9,712	4
JCH460/B1		60"	42"	7,021	8,435	10,190	4
JCH466/B1		66"	48"	7,297	8,799	10,693	4

*FOR OVERLAY HOODS, SPECIFY INTERIOR COLOR.
*VP562 TRANSITION TO 10" ROUND INCLUDED.
+VP563 TRANSITION TO 12" ROUND INCLUDED.

DUCT COVERS FOR JCH/B1

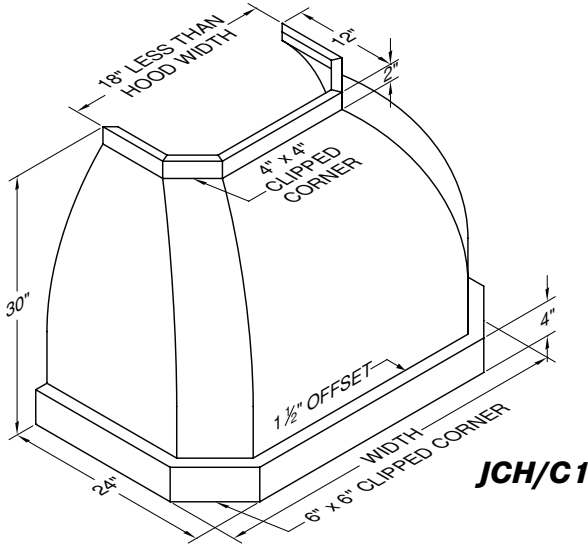
Model No.	Width	Top W.	Height	Painted	Stainless	Overlay*	Ceiling
CDC-18/12/12	18"	12"	12"	1,382	1,521	1,716	8'
CDC-18/12/24		12"	24"	2,007	2,241	2,592	9'
CDC-18/12/36		12"	36"	2,163	2,493	3,001	10'
CDC-24/12/12	24"	18"	12"	1,463	1,636	1,909	8'
CDC-24/12/24		12"	24"	2,144	2,457	2,924	9'
CDC-24/12/36		12"	36"	2,357	2,785	3,468	10'
CDC-30/12/12	30"	24"	12"	1,539	1,754	2,103	8'
CDC-30/12/24		12"	24"	2,280	2,668	3,254	9'
CDC-30/12/36		12"	36"	2,552	3,096	3,937	10'
CDC-36/12/12	36"	30"	12"	1,617	1,890	2,300	8'
CDC-36/12/24		18"	24"	2,417	2,884	3,587	9'
CDC-36/12/36		18"	36"	2,749	3,389	4,402	10'
CDC-42/12/12	42"	36"	12"	1,696	2,007	2,475	8'
CDC-42/12/24		24"	24"	2,552	3,096	3,937	9'
CDC-42/12/36		18"	36"	2,942	3,702	4,849	10'
CDC-48/12/12	48"	42"	12"	1,774	2,125	2,668	8'
CDC-48/12/24		30"	24"	2,689	3,313	4,265	9'
CDC-48/12/36		24"	36"	3,136	3,995	5,318	10'

*TRIM REQUIRED ON MODELS EXCEEDING 35" WIDTH AND 30" HEIGHT.
CEILING BASED ON REC. MAXIMUM HOOD MOUNTING HEIGHT.

DESIGNER SERIES WALL MOUNT

REC. MOUNTING HEIGHT FROM
COOKING SURFACE: 30"

900 CFM OPTIONAL TRANSITION TO 10" ROUND: VP562
1200 CFM OPTIONAL TRANSITION TO 12" ROUND: VP563

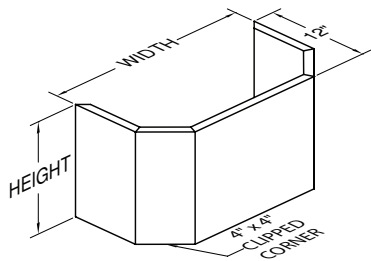


JCH/C1

Model No.	CFM	Width	Painted	Stainless	Overlay*	# Lts
JCH136/C1	300	36"	5,135	6,518	8,756	2
JCH142/C1		42"	5,562	7,005	9,555	3
JCH148/C1	600	48"	5,836	7,363	10,141	3
JCH236/C1		36"	5,715	7,151	9,337	2
JCH242/C1		42"	6,144	7,638	10,136	3
JCH248/C1	900	48"	6,413	7,996	10,719	3
JCH348/C1		48"	7,028	8,759	11,336	3
JCH354/C1		54"	7,873	9,898	12,845	4
JCH360/C1	1200	60"	8,253	10,463	13,657	4
JCH454/C1		54"	8,454	10,533	13,424	4
JCH460/C1		60"	8,832	11,100	14,236	4
JCH466/C1		66"	9,188	11,598	15,028	4

*FOR OVERLAY HOODS, SPECIFY INTERIOR COLOR.

DUCT COVERS FOR JCH/C1



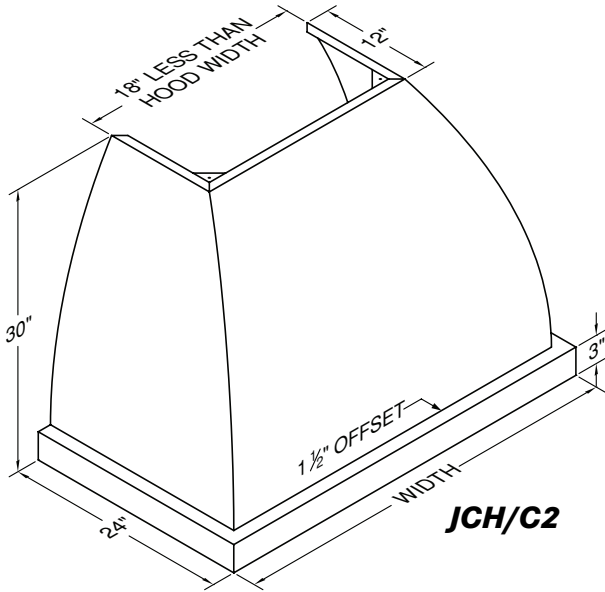
Model No.	Width	Height	Painted	Stainless	Overlay	Ceiling
WDCC4-18/12	18"	12"	1,324	1,423	1,559	9'
WDCC4-18/24		24"	1,480	1,675	1,948	10'
WDCC4-24/12	24"	12"	1,382	1,500	1,696	9'
WDCC4-24/24		24"	1,597	1,833	2,221	10'
WDCC4-30/12	30"	12"	1,423	1,581	1,833	9'
WDCC4-30/24		24"	1,696	2,007	2,493	10'
WDCC4-36/12	36"	12"	1,480	1,675	1,948	9'
WDCC4-36/24		24"	1,812	2,183	2,749	10'
WDCC4-42/12	42"	12"	1,539	1,754	2,084	9'
WDCC4-42/24		24"	1,929	2,357	3,021	10'
WDCC4-48/12	48"	12"	1,597	1,833	2,221	9'
WDCC4-48/24		24"	2,028	2,533	3,293	10'

CEILING BASED ON REC. MAXIMUM HOOD MOUNTING HEIGHT.

DESIGNER SERIES WALL MOUNT

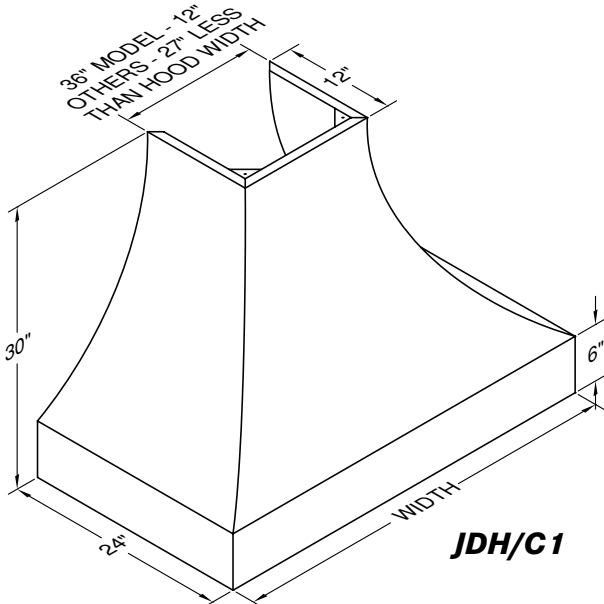
REC. MOUNTING HEIGHT FROM
COOKING SURFACE: 30"

900 CFM JCH/C2 OPTIONAL TRANSITION TO 10" ROUND: VP562
1200 CFM JCH/C2 OPTIONAL TRANSITION TO 12" ROUND: VP563
900/1200 CFM JDH/C1 & JDH/C2 MODELS: TRANSITION INCLUDED



JCH/C2						
Model No.	CFM	Width	Painted	Stainless	Overlay*	# Lts
JCH136/C2	300	36"	4,932	6,344	8,593	2
JCH142/C2		42"	5,342	6,822	9,364	3
JCH148/C2		48"	5,613	7,155	9,950	3
JCH236/C2	600	36"	5,511	6,977	9,175	2
JCH242/C2		42"	5,924	7,455	9,945	3
JCH248/C2		48"	6,191	7,791	10,529	3
JCH348/C2	900	48"	6,809	8,552	11,144	3
JCH354/C2		54"	7,837	9,716	12,840	4
JCH360/C2		60"	8,215	10,467	13,676	4
JCH454/C2	1200	54"	8,417	10,349	13,420	4
JCH460/C2		60"	8,794	11,102	14,256	4
JCH466/C2		66"	9,235	11,696	15,113	4

*FOR OVERLAY HOODS, SPECIFY INTERIOR COLOR.

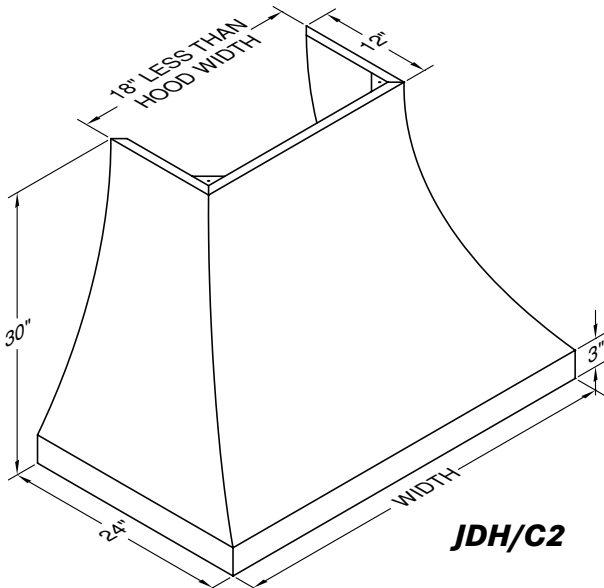


JDH/C1						
Model No.	CFM	Width	Painted	Stainless	Overlay*	# Lts
JDH136/C1	300	36"	4,932	6,344	8,593	2
JDH142/C1		42"	5,342	6,822	9,364	3
JDH148/C1		48"	5,613	7,155	9,950	3
JDH236/C1	600	36"	5,511	6,977	9,175	2
JDH242/C1		42"	5,924	7,455	9,945	3
JDH248/C1		48"	6,191	7,791	10,529	3
JDH348/C1	900*	48"	6,809	8,552	11,144	3
JDH354/C1		54"	7,837	9,716	12,840	4
JDH360/C1		60"	8,215	10,467	13,676	4
JDH454/C1	1200+	54"	8,417	10,349	13,420	4
JDH460/C1		60"	8,794	11,102	14,256	4
JDH466/C1		66"	9,235	11,696	15,113	4

*FOR OVERLAY HOODS, SPECIFY INTERIOR COLOR.

*VP562 TRANSITION TO 10" ROUND INCLUDED.

+VP563 TRANSITION TO 12" ROUND INCLUDED.



JDH/C2						
Model No.	CFM	Width	Painted	Stainless	Overlay*	# Lts
JDH136/C2	300	36"	4,932	6,344	8,593	2
JDH142/C2		42"	5,342	6,822	9,364	3
JDH148/C2		48"	5,613	7,155	9,950	3
JDH236/C2	600	36"	5,511	6,977	9,175	2
JDH242/C2		42"	5,924	7,455	9,945	3
JDH248/C2		48"	6,191	7,791	10,529	3
JDH348/C2	900*	48"	6,809	8,552	11,144	3
JDH354/C2		54"	7,837	9,716	12,840	4
JDH360/C2		60"	8,215	10,467	13,676	4
JDH454/C2	1200+	54"	8,417	10,349	13,420	4
JDH460/C2		60"	8,794	11,102	14,256	4
JDH466/C2		66"	9,235	11,696	15,113	4

*FOR OVERLAY HOODS, SPECIFY INTERIOR COLOR.

*VP562 TRANSITION TO 10" ROUND INCLUDED.

+VP563 TRANSITION TO 12" ROUND INCLUDED.

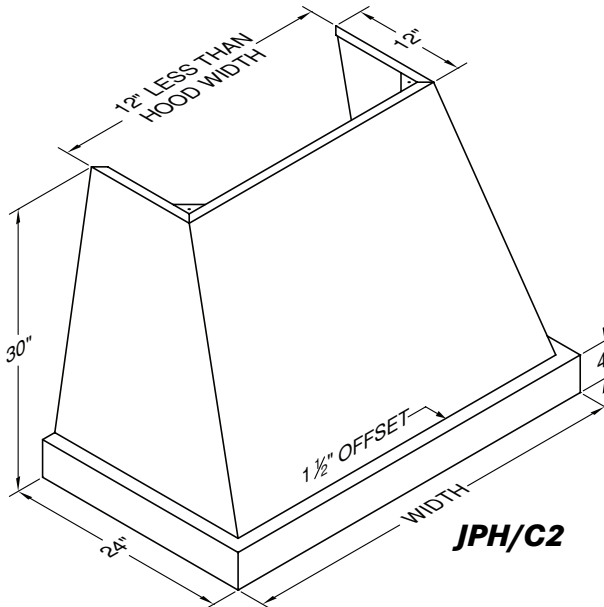
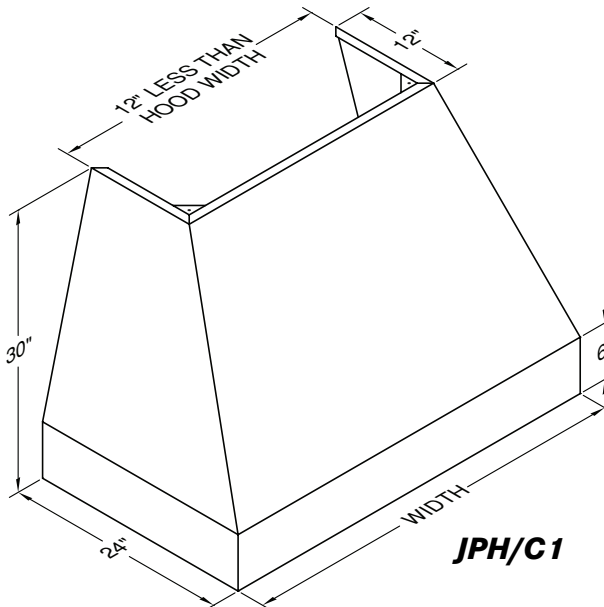
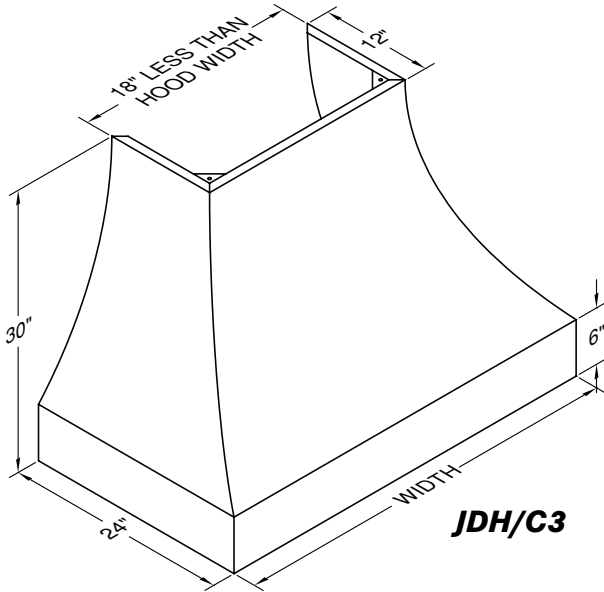
DESIGNER SERIES WALL MOUNT

REC. MOUNTING HEIGHT FROM COOKING SURFACE: 30"

900/1200 CFM JDH/C3: TRANSITION INCLUDED

900 CFM JPH/C1 & JPH/C2 OPTIONAL TRANSITION TO 10" ROUND: VP562

1200 CFM JPH/C1 & JPH/C2 OPTIONAL TRANSITION TO 12" ROUND: VP563



JDH/C3

Model No.	CFM	Width	Painted	Stainless	Overlay*	# Lts
JDH136/C3	300	36"	4,932	6,344	8,593	2
JDH142/C3		42"	5,342	6,822	9,364	3
JDH148/C3		48"	5,613	7,155	9,950	3
JDH236/C3	600	36"	5,511	6,977	9,175	2
JDH242/C3		42"	5,924	7,455	9,945	3
JDH248/C3		48"	6,191	7,791	10,529	3
JDH348/C3	900*	48"	6,809	8,552	11,144	3
JDH354/C3		54"	7,837	9,716	12,840	4
JDH360/C3		60"	8,215	10,467	13,676	4
JDH454/C3	1200+	54"	8,417	10,349	13,420	4
JDH460/C3		60"	8,794	11,102	14,256	4
JDH466/C3		66"	9,235	11,696	15,113	4

*FOR OVERLAY HOODS, SPECIFY INTERIOR COLOR.

*VP562 TRANSITION TO 10" ROUND INCLUDED.

+VP563 TRANSITION TO 12" ROUND INCLUDED.

JPH/C1

Model No.	CFM	Width	Painted	Stainless	Overlay*	# Lts
JPH136/C1	300	36"	4,932	6,344	8,593	2
JPH142/C1		42"	5,342	6,822	9,364	3
JPH148/C1		48"	5,613	7,155	9,950	3
JPH236/C1	600	36"	5,511	6,977	9,175	2
JPH242/C1		42"	5,924	7,455	9,945	3
JPH248/C1		48"	6,191	7,791	10,529	3
JPH348/C1	900	48"	6,809	8,552	11,144	3
JPH354/C1		54"	7,837	9,716	12,840	4
JPH360/C1		60"	8,215	10,467	13,676	4
JPH454/C1	1200	54"	8,417	10,349	13,420	4
JPH460/C1		60"	8,794	11,102	14,256	4
JPH466/C1		66"	9,235	11,696	15,113	4

*FOR OVERLAY HOODS, SPECIFY INTERIOR COLOR.

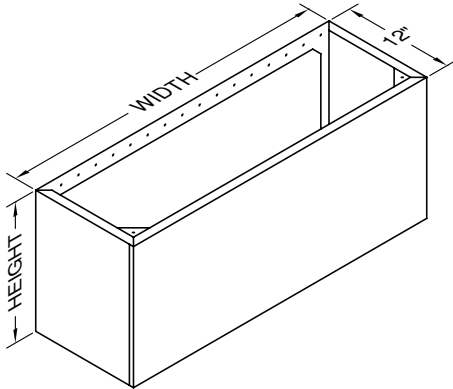
JPH/C2

Model No.	CFM	Width	Painted	Stainless	Overlay*	# Lts
JPH136/C2	300	36"	4,932	6,344	8,593	2
JPH142/C2		42"	5,342	6,822	9,364	3
JPH148/C2		48"	5,613	7,155	9,950	3
JPH236/C2	600	36"	5,511	6,977	9,175	2
JPH242/C2		42"	5,924	7,455	9,945	3
JPH248/C2		48"	6,191	7,791	10,529	3
JPH348/C2	900	48"	6,809	8,552	11,144	3
JPH354/C2		54"	7,837	9,716	12,840	4
JPH360/C2		60"	8,215	10,467	13,676	4
JPH454/C2	1200	54"	8,417	10,349	13,420	4
JPH460/C2		60"	8,794	11,102	14,256	4
JPH466/C2		66"	9,235	11,696	15,113	4

*FOR OVERLAY HOODS, SPECIFY INTERIOR COLOR.

DESIGNER SERIES WALL MOUNT

REC. MOUNTING HEIGHT FROM
COOKING SURFACE: 30"



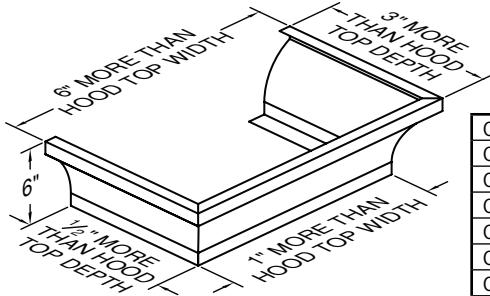
WDCRND FOR DESIGNER SERIES HOODS

Model No.	Width	Height	Painted	Stainless	Overlay	Ceiling
WDCRND-12/12	12"	12"	689	745	842	9'
WDCRND-12/24		24"	787	917	1,092	10'
WDCRND-15/12	15"	12"	728	803	917	9'
WDCRND-15/24		24"	860	1,013	1,262	10'
WDCRND-18/12	18"	12"	764	860	994	9'
WDCRND-18/24		24"	917	1,108	1,378	10'
WDCRND-21/12	21"	12"	787	899	1,050	9'
WDCRND-21/24		24"	976	1,185	1,511	10'
WDCRND-24/12	24"	12"	822	938	1,129	9'
WDCRND-24/24		24"	1,033	1,281	1,643	10'
WDCRND-27/12	27"	12"	842	976	1,185	9'
WDCRND-27/24		24"	1,092	1,355	1,778	10'
WDCRND-30/12	30"	12"	842	994	1,224	9'
WDCRND-30/24		24"	1,108	1,396	1,872	10'
WDCRND-33/12	33"	12"	899	1,069	1,320	9'
WDCRND-33/24		24"	1,185	1,530	2,044	10'
WDCRND-36/12	36"	12"	899	1,069	1,355	9'
WDCRND-36/24		24"	1,203	1,567	2,122	10'
WDCRND-39/12	39"	12"	957	1,146	1,451	9'
WDCRND-39/24		24"	1,299	1,682	2,295	10'
WDCRND-42/12	42"	12"	957	1,165	1,472	9'
WDCRND-42/24		24"	1,320	1,739	2,371	10'
WDCRND-48/12	48"	12"	994	1,243	1,605	9'
WDCRND-48/24		24"	1,415	1,893	2,638	10'
WDCRND-54/12	54"	12"	1,050	1,320	1,739	9'
WDCRND-54/24		24"	1,567	2,103	2,944	10'
CUSTOM	WIDTH X HEIGHT X		0.77	1.24	1.94	
	PLUS		639			
FINISHED TOP	WIDTH X DEPTH X		0.77	1.24	1.94	
	PLUS		373			
SLOPED TOP •	ADD		639			

CEILING BASED ON REC. MAXIMUM MOUNTING HEIGHT FOR 30" T DESIGNER WALL MOUNT HOOD.
• SPECIFY FRONT TO BACK OR LEFT TO RIGHT DIMENSIONS.

WALL MOUNT CROWNS

CAN BE PLACED ON TOP OF A WALL MOUNT HOOD OR DUCT COVER

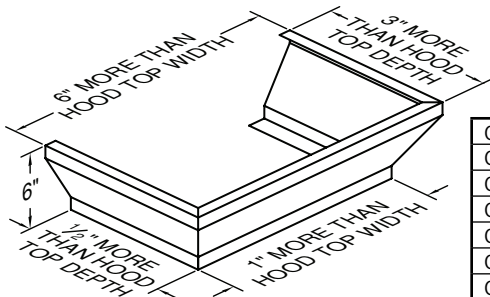


CRN-D6H

CRN-D6H

Model No. *	Application	Width	Depth	Lip+	Painted	Stainless	Overlay
CRN-D6H-10/10	10" x 10" Top	16"	13"	1"	3,262	3,309	3,375
CRN-D6H-12/12	12" x 12" Top	18"	15"	1"	3,271	3,324	3,398
CRN-D6H-15/12	15" x 12" Top	21"	15"	1"	3,286	3,345	3,433
CRN-D6H-18/12	18" X 12" Top	24"	15"	1"	3,298	3,368	3,468
CRN-D6H-21/12	21" x 12" Top	27"	15"	1"	3,313	3,391	3,503
CRN-D6H-24/12	24" x 12" Top	30"	15"	1"	3,326	3,413	3,538
CRN-D6H-26/12	26" x 12" Top	32"	15"	1"	3,336	3,428	3,563
CRN-D6H-26/14	26" x 14" Top	32"	17"	1"	3,336	3,428	3,563
CRN-D6H-27/12	27" x 12" Top	33"	15"	1"	3,340	3,436	3,573
CRN-D6H-30/12	30" x 12" Top	36"	15"	1"	3,353	3,459	3,607
CRN-D6H-33/12	33" x 12" Top	39"	15"	1"	3,368	3,480	3,644
CRN-D6H-34/12	34" x 12" Top	40"	15"	1"	3,372	3,488	3,654
CRN-D6H-36/12	36" x 12" Top	42"	15"	1"	3,382	3,503	3,679
CRN-D6H-39/12	39" x 12" Top	45"	15"	1"	3,395	3,525	3,713
CRN-D6H-42/12	42" x 12" Top	48"	15"	1"	3,409	3,548	3,748
CRN-D6H-45/12	45" x 12" Top	51"	15"	1"	3,424	3,571	3,783
CRN-D6H-48/12	48" x 12" Top	54"	15"	1"	3,436	3,594	3,818
CRN-D6H-54/12	54" x 12" Top	60"	15"	1"	3,464	3,637	3,888
CRN-D6H-60/12	60" x 12" Top	66"	15"	1"	3,491	3,683	3,958
CRN-D6H-66/12	66" x 12" Top	72"	15"	1"	3,519	4,027	3,729

* HOOD VERSION MODEL LISTED. USE CRN-D6D MODEL NUMBER PREFIX FOR USE ON A DUCT COVER.
+LIP HEIGHT APPLIES TO TOP LIP AND BOTTOM LIP.



CRN-P6H

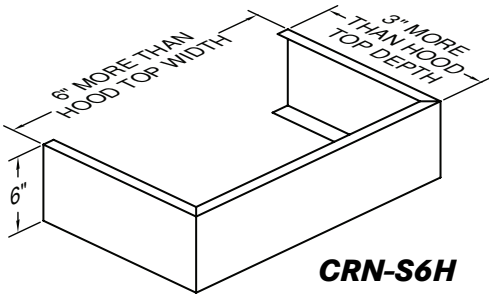
CRN-P6H

Model No. *	Application	Width	Depth	Lip+	Painted	Stainless	Overlay
CRN-P6H-10/10	10" x 10" Top	16"	13"	1"	3,262	3,309	3,375
CRN-P6H-12/12	12" x 12" Top	18"	15"	1"	3,271	3,324	3,398
CRN-P6H-15/12	15" x 12" Top	21"	15"	1"	3,286	3,345	3,433
CRN-P6H-18/12	18" X 12" Top	24"	15"	1"	3,298	3,368	3,468
CRN-P6H-21/12	21" x 12" Top	27"	15"	1"	3,313	3,391	3,503
CRN-P6H-24/12	24" x 12" Top	30"	15"	1"	3,326	3,413	3,538
CRN-P6H-26/12	26" x 12" Top	32"	15"	1"	3,336	3,428	3,563
CRN-P6H-26/14	26" x 14" Top	32"	17"	1"	3,336	3,428	3,563
CRN-P6H-27/12	27" x 12" Top	33"	15"	1"	3,340	3,436	3,573
CRN-P6H-30/12	30" x 12" Top	36"	15"	1"	3,353	3,459	3,607
CRN-P6H-33/12	33" x 12" Top	39"	15"	1"	3,368	3,480	3,644
CRN-P6H-34/12	34" x 12" Top	40"	15"	1"	3,372	3,488	3,654
CRN-P6H-36/12	36" x 12" Top	42"	15"	1"	3,382	3,503	3,679
CRN-P6H-39/12	39" x 12" Top	45"	15"	1"	3,395	3,525	3,713
CRN-P6H-42/12	42" x 12" Top	48"	15"	1"	3,409	3,548	3,748
CRN-P6H-45/12	45" x 12" Top	51"	15"	1"	3,424	3,571	3,783
CRN-P6H-48/12	48" x 12" Top	54"	15"	1"	3,436	3,594	3,818
CRN-P6H-54/12	54" x 12" Top	60"	15"	1"	3,464	3,637	3,888
CRN-P6H-60/12	60" x 12" Top	66"	15"	1"	3,491	3,683	3,958
CRN-P6H-66/12	66" x 12" Top	72"	15"	1"	3,519	3,729	4,027

* HOOD VERSION MODEL LISTED. USE CRN-P6D MODEL NUMBER PREFIX FOR USE ON A DUCT COVER.
+LIP HEIGHT APPLIES TO TOP LIP AND BOTTOM LIP.

WALL MOUNT CROWNS

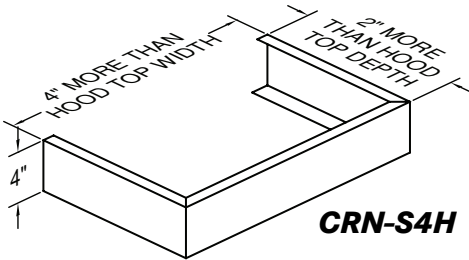
CAN BE PLACED ON TOP OF A WALL MOUNT HOOD OR DUCT COVER



CRN-S6H

Model No. •	Application	Width	Depth	Painted	Stainless	Overlay
CRN-S6H-10/10	10" x 10" Top	16"	13"	1,349	1,395	1,462
CRN-S6H-12/12	12" x 12" Top	18"	15"	1,358	1,411	1,484
CRN-S6H-15/12	15" x 12" Top	21"	15"	1,372	1,432	1,520
CRN-S6H-18/12	18" X 12" Top	24"	15"	1,385	1,454	1,555
CRN-S6H-21/12	21" x 12" Top	27"	15"	1,399	1,477	1,589
CRN-S6H-24/12	24" x 12" Top	30"	15"	1,413	1,500	1,624
CRN-S6H-26/12	26" x 12" Top	32"	15"	1,422	1,513	1,648
CRN-S6H-26/14	26" x 14" Top	32"	17"	1,422	1,513	1,648
CRN-S6H-27/12	27" x 12" Top	33"	15"	1,426	1,523	1,661
CRN-S6H-30/12	30" x 12" Top	36"	15"	1,440	1,546	1,694
CRN-S6H-33/12	33" x 12" Top	39"	15"	1,454	1,566	1,729
CRN-S6H-34/12	34" x 12" Top	40"	15"	1,458	1,575	1,740
CRN-S6H-36/12	36" x 12" Top	42"	15"	1,469	1,589	1,764
CRN-S6H-39/12	39" x 12" Top	45"	15"	1,481	1,612	1,798
CRN-S6H-42/12	42" x 12" Top	48"	15"	1,496	1,635	1,835
CRN-S6H-45/12	45" x 12" Top	51"	15"	1,509	1,656	1,870
CRN-S6H-48/12	48" x 12" Top	54"	15"	1,523	1,679	1,904
CRN-S6H-54/12	54" x 12" Top	60"	15"	1,551	1,724	1,975
CRN-S6H-60/12	60" x 12" Top	66"	15"	1,578	1,769	2,044
CRN-S6H-66/12	66" x 12" Top	72"	15"	1,607	1,814	2,114

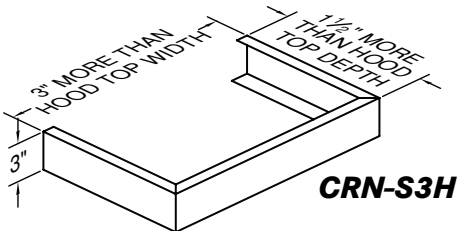
• HOOD VERSION MODEL LISTED. USE CRN-S6D MODEL NUMBER PREFIX FOR USE ON A DUCT COVER.



CRN-S4H

Model No. •	Application	Width	Depth	Painted	Stainless	Overlay
CRN-S4H-10/10	10" x 10" Top	14"	12"	1,319	1,345	1,384
CRN-S4H-12/12	12" x 12" Top	16"	14"	1,324	1,355	1,399
CRN-S4H-15/12	15" x 12" Top	19"	14"	1,334	1,369	1,423
CRN-S4H-18/12	18" X 12" Top	22"	14"	1,342	1,385	1,446
CRN-S4H-21/12	21" x 12" Top	25"	14"	1,353	1,400	1,470
CRN-S4H-24/12	24" x 12" Top	28"	14"	1,361	1,415	1,493
CRN-S4H-26/12	26" x 12" Top	30"	14"	1,366	1,424	1,508
CRN-S4H-26/14	26" x 14" Top	30"	16"	1,366	1,424	1,508
CRN-S4H-27/12	27" x 12" Top	31"	14"	1,369	1,430	1,515
CRN-S4H-30/12	30" x 12" Top	34"	14"	1,380	1,445	1,539
CRN-S4H-33/12	33" x 12" Top	37"	14"	1,388	1,461	1,562
CRN-S4H-34/12	34" x 12" Top	38"	14"	1,392	1,465	1,570
CRN-S4H-36/12	36" x 12" Top	40"	14"	1,397	1,474	1,586
CRN-S4H-39/12	39" x 12" Top	43"	14"	1,407	1,490	1,609
CRN-S4H-42/12	42" x 12" Top	46"	14"	1,416	1,504	1,634
CRN-S4H-45/12	45" x 12" Top	49"	14"	1,424	1,520	1,655
CRN-S4H-48/12	48" x 12" Top	52"	14"	1,435	1,535	1,678
CRN-S4H-54/12	54" x 12" Top	58"	14"	1,453	1,565	1,725
CRN-S4H-60/12	60" x 12" Top	64"	14"	1,472	1,594	1,773
CRN-S4H-66/12	66" x 12" Top	70"	14"	1,490	1,624	1,818

• HOOD VERSION MODEL LISTED. USE CRN-S4D MODEL NUMBER PREFIX FOR USE ON A DUCT COVER.



CRN-S3H

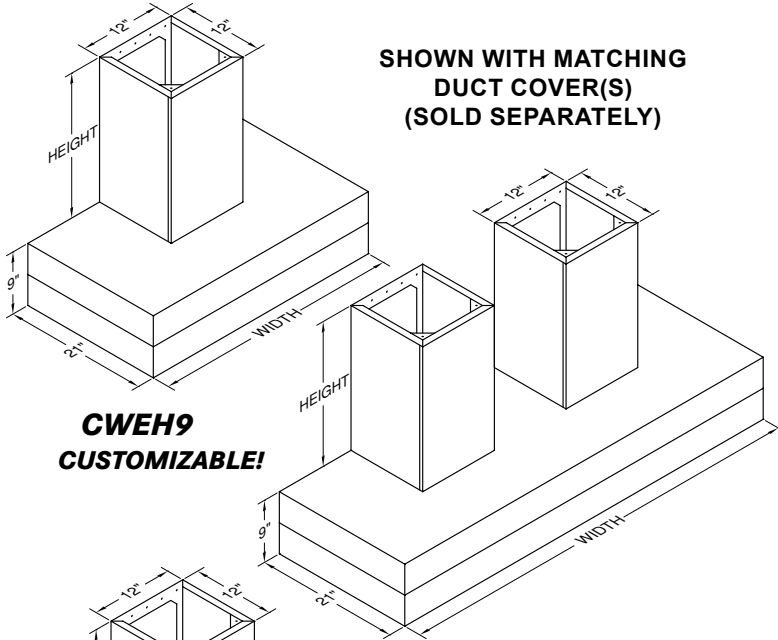
Model No. •	Application	Width	Depth	Painted	Stainless	Overlay
CRN-S3H-10/10	10" x 10" Top	13"	11 1/2"	1,305	1,324	1,351
CRN-S3H-12/12	12" x 12" Top	15"	13 1/2"	1,310	1,331	1,362
CRN-S3H-15/12	15" x 12" Top	18"	13 1/2"	1,316	1,342	1,380
CRN-S3H-18/12	18" X 12" Top	21"	13 1/2"	1,324	1,354	1,397
CRN-S3H-21/12	21" x 12" Top	24"	13 1/2"	1,330	1,365	1,415
CRN-S3H-24/12	24" x 12" Top	27"	13 1/2"	1,337	1,377	1,432
CRN-S3H-26/12	26" x 12" Top	29"	13 1/2"	1,341	1,384	1,445
CRN-S3H-26/14	26" x 14" Top	29"	15 1/2"	1,341	1,384	1,445
CRN-S3H-27/12	27" x 12" Top	30"	13 1/2"	1,343	1,388	1,450
CRN-S3H-30/12	30" x 12" Top	33"	13 1/2"	1,351	1,399	1,467
CRN-S3H-33/12	33" x 12" Top	36"	13 1/2"	1,358	1,411	1,484
CRN-S3H-34/12	34" x 12" Top	37"	13 1/2"	1,359	1,413	1,492
CRN-S3H-36/12	36" x 12" Top	39"	13 1/2"	1,365	1,420	1,503
CRN-S3H-39/12	39" x 12" Top	42"	13 1/2"	1,372	1,432	1,520
CRN-S3H-42/12	42" x 12" Top	45"	13 1/2"	1,378	1,443	1,536
CRN-S3H-45/12	45" x 12" Top	48"	13 1/2"	1,385	1,454	1,555
CRN-S3H-48/12	48" x 12" Top	51"	13 1/2"	1,392	1,466	1,571
CRN-S3H-54/12	54" x 12" Top	57"	13 1/2"	1,407	1,489	1,608
CRN-S3H-60/12	60" x 12" Top	63"	13 1/2"	1,420	1,511	1,642
CRN-S3H-66/12	66" x 12" Top	69"	13 1/2"	1,434	1,534	1,677

• HOOD VERSION MODEL LISTED. USE CRN-S3D MODEL NUMBER PREFIX FOR USE ON A DUCT COVER.

CONTEMPORARY WALL MOUNT

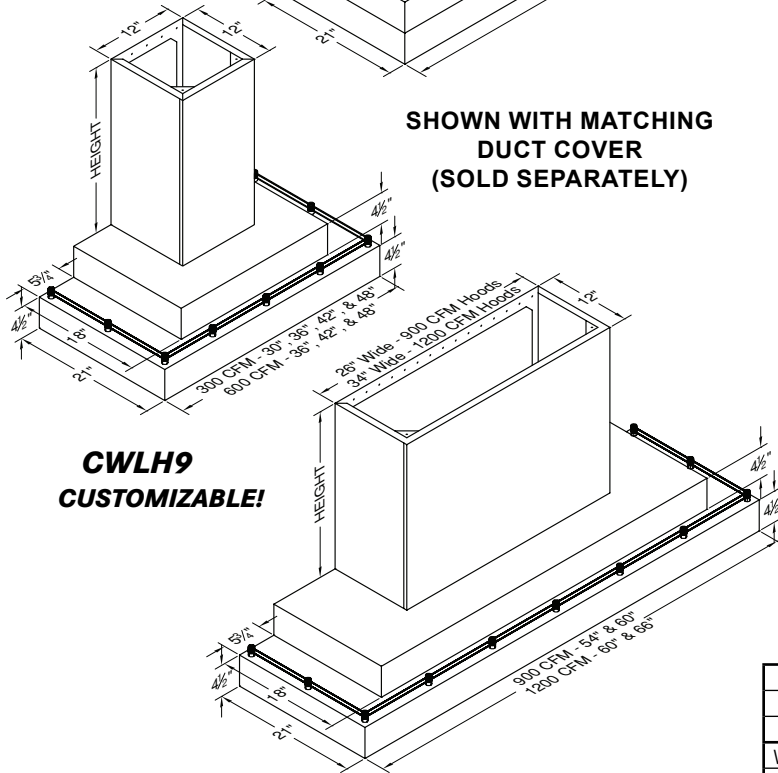
REC. MOUNTING HEIGHT FROM
COOKING SURFACE: 27"

900 CFM CWLH9 OPTIONAL TRANSITION TO 10" ROUND: VP562
1200 CFM CWLH9 OPTIONAL TRANSITION TO 12" ROUND: VP563



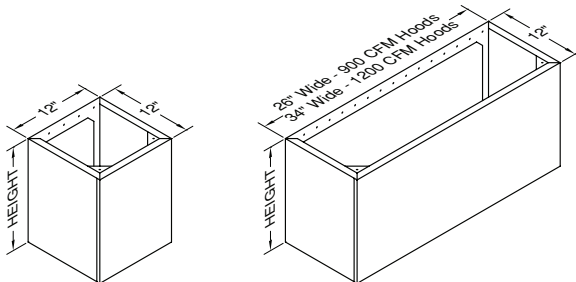
SHOWN WITH MATCHING
DUCT COVER(S)
(SOLD SEPARATELY)

**CWEH9
CUSTOMIZABLE!**



SHOWN WITH MATCHING
DUCT COVER
(SOLD SEPARATELY)

**CWLH9
CUSTOMIZABLE!**



CWEH9

Model No.	CFM	Width	Painted	Stainless	# Lts
CWEH9-130	300	30"	2,619	3,644	2
CWEH9-136		36"	2,658	3,700	2
CWEH9-142		42"	2,989	4,014	3
CWEH9-148		48"	3,147	4,173	3
CWEH9-230	600	30"	3,195	4,274	2
CWEH9-236		36"	3,236	4,331	2
CWEH9-242		42"	3,567	4,644	3
CWEH9-248		48"	3,708	4,806	3
CWEH9-254	900	54"	4,416	5,782	4
CWEH9-342		42"	4,348	5,576	3
CWEH9-348		48"	4,864	5,717	3
CWEH9-354		54"	5,219	6,755	4
CWEH9-360	1200	60"	5,446	7,106	4
CWEH9-448		48"	5,441	6,350	3
CWEH9-454		54"	5,796	7,389	4
CWEH9-460		60"	6,021	7,740	4
CWEH9-466		66"	6,310	8,088	4

CWLH9

Model No.	CFM	Width	Painted	Stainless	# Lts
CWLH9-130	300	30"	2,658	3,690	2
CWLH9-136		36"	2,680	3,710	2
CWLH9-142		42"	3,083	4,134	3
CWLH9-148		48"	3,228	4,301	3
CWLH9-236	600	36"	3,279	4,367	2
CWLH9-242		42"	3,683	4,790	3
CWLH9-248		48"	3,826	4,956	3
CWLH9-354	900	54"	5,407	6,993	4
CWLH9-360		60"	5,658	7,349	4
CWLH9-460	1200	60"	6,256	8,004	4
CWLH9-466		66"	6,422	8,236	4

WDCRND FOR CWEH9/CWLH9

Model No.	Width	Height	Painted	Stainless	Ceiling
WDCRND-12/12	12"	12"	689	745	7'
WDCRND-12/24		24"	787	917	8'
WDCRND-12/36		36"	899	1,069	9'
WSDCRND-26/12	26"	12"	886	1,011	7'
WSDCRND-26/24		24"	1,112	1,399	8'
WSDCRND-26/36		36"	1,361	1,770	9'
WDCRND-34/12	34"	12"	880	1,050	7'
WDCRND-34/24		24"	1,185	1,511	8'
WDCRND-34/36		36"	1,472	1,987	9'
CUSTOM	WIDTH X HEIGHT X PLUS		0.77	1.24	
FINISHED TOP	WIDTH X DEPTH X PLUS		0.77	1.24	
SLOPED TOP •	ADD			639	

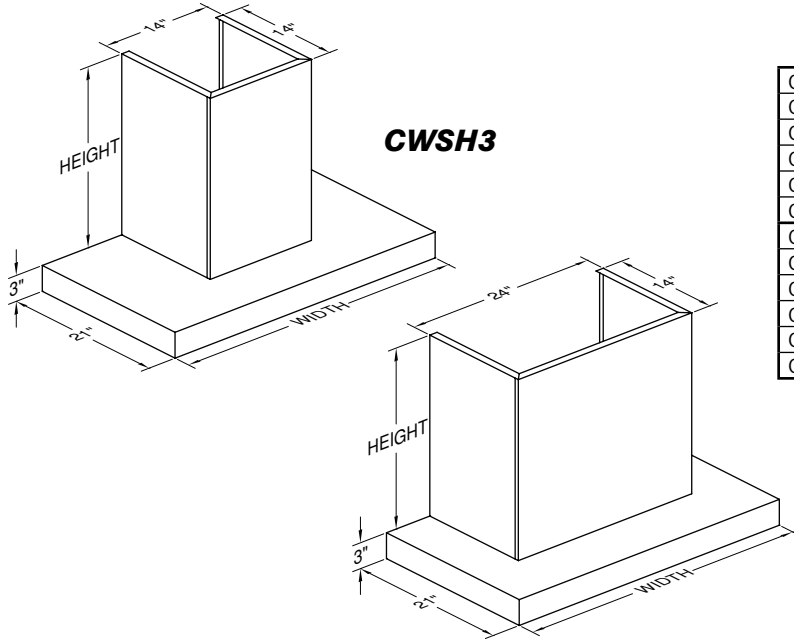
26" AND 34" DUCT COVERS FOR USE ON MATCHING CWLH9 MODELS.
CEILING BASED ON REC. MAXIMUM HOOD MOUNTING HEIGHT.
• SPECIFY FRONT TO BACK OR LEFT TO RIGHT DIMENSIONS.

CWEH9/CWLH9 VARIATIONS

WIDTHS OVER 66"	PAINTED	STAINLESS	SPECIAL WIDTH (LESS THAN 66")
FOR EACH 6" INCREMENT PLUS	289	414	USE NEXT LARGEST SIZE ON PRICE LIST, PLUS
		373	373
			REMOVE GALLEY RAIL (CWLH9 ONLY) TO REMOVE RAIL, NO CHARGE

CONTEMPORARY WALL MOUNT

REC. MOUNTING HEIGHT FROM
COOKING SURFACE: 24"

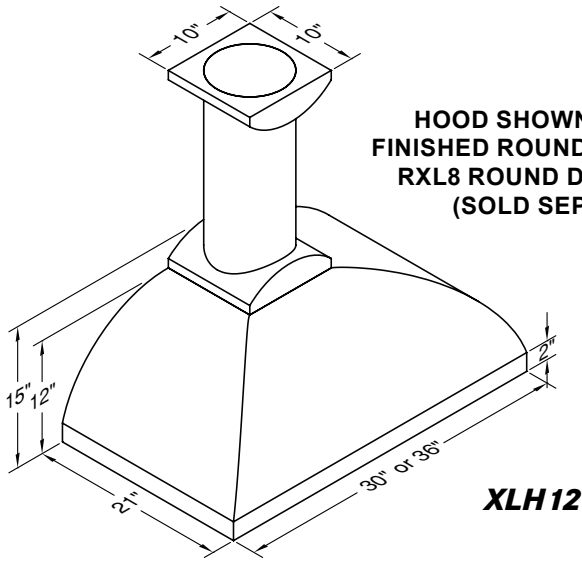


CWSH3

Model No.	CFM	Width	Stainless	# Lts	Ceiling
CWSH3-1/030-21	300	30"	4,567	2	7'
CWSH3-1/030-33		30"	4,755	2	8'
CWSH3-1/036-21		36"	4,567	2	7'
CWSH3-1/036-33		36"	4,755	2	8'
CWSH3-1/042-21		42"	4,925	3	7'
CWSH3-1/042-33		42"	5,111	3	8'
CWSH3-2/030-21	600	30"	6,124	2	7'
CWSH3-2/030-33		30"	6,458	2	8'
CWSH3-2/036-21		36"	6,124	2	7'
CWSH3-2/036-33		36"	6,458	2	8'
CWSH3-2/042-21		42"	6,476	3	7'
CWSH3-2/042-33		42"	6,815	3	8'

CONTEMPORARY WALL MOUNT

REC. MOUNTING HEIGHT FROM
COOKING SURFACE: 24"



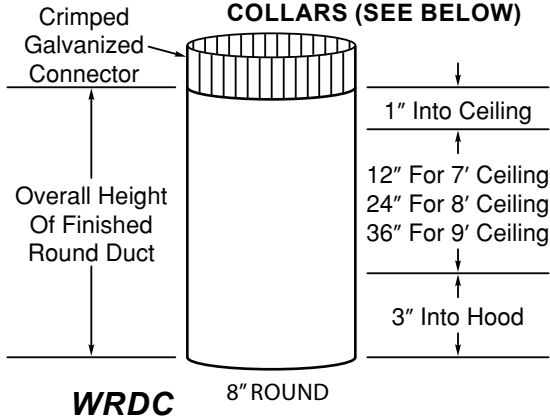
HOOD SHOWN WITH WRDC
FINISHED ROUND DUCT AND TWO
RXL8 ROUND DUCT COLLARS
(SOLD SEPARATELY)

XLH12

XLH12

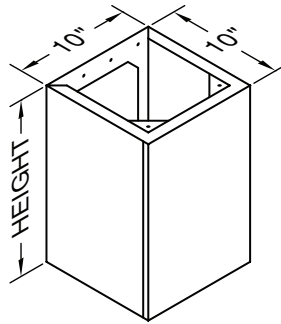
Model No.	CFM	Width	Stainless	# Lts
BRASS LIP				
XLH12-230B	600	30"	3,695	2
XLH12-236B		36"	3,740	2
COPPER LIP				
XLH12-230C	600	30"	3,695	2
XLH12-236C		36"	3,740	2
MIRROR STAINLESS STEEL LIP				
XLH12-230M	600	30"	3,695	2
XLH12-236M		36"	3,740	2
STAINLESS STEEL LIP				
XLH12-230S	600	30"	3,695	2
XLH12-236S		36"	3,740	2

FINISHED ROUND DUCT
REQUIRES TWO DUCT
COLLARS (SEE BELOW)



WRDC

8" ROUND

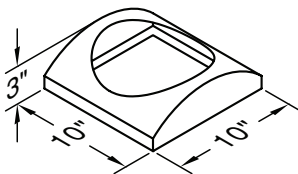


WDCRND

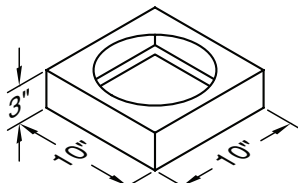
DUCT COVERS FOR XLH12

Model No.	Width	Height	Stainless	Ceiling
WDCRND-10/12	10"	12"	707	7'
WDCRND-10/24		24"	842	8'
WDCRND-10/36		36"	976	9'
WRDC-8/16	8"	16"	514	7'
WRDC-8/28		28"	639	8'
WRDC-8/40		40"	741	9'
CUSTOM	WIDTH X HEIGHT X		1.24	
	PLUS		639	
FINISHED TOP	WIDTH X DEPTH X		1.24	
	PLUS		373	
SLOPED TOP •	ADD		639	

WRDC EXTENDS 3" INTO TOP OF HOOD AND 1" INTO CEILING.
CEILING BASED ON REC. MAXIMUM HOOD MOUNTING HEIGHT.
• SPECIFY FRONT TO BACK OR LEFT TO RIGHT DIMENSIONS.



RXL8



SXL8

WRDC COLLARS

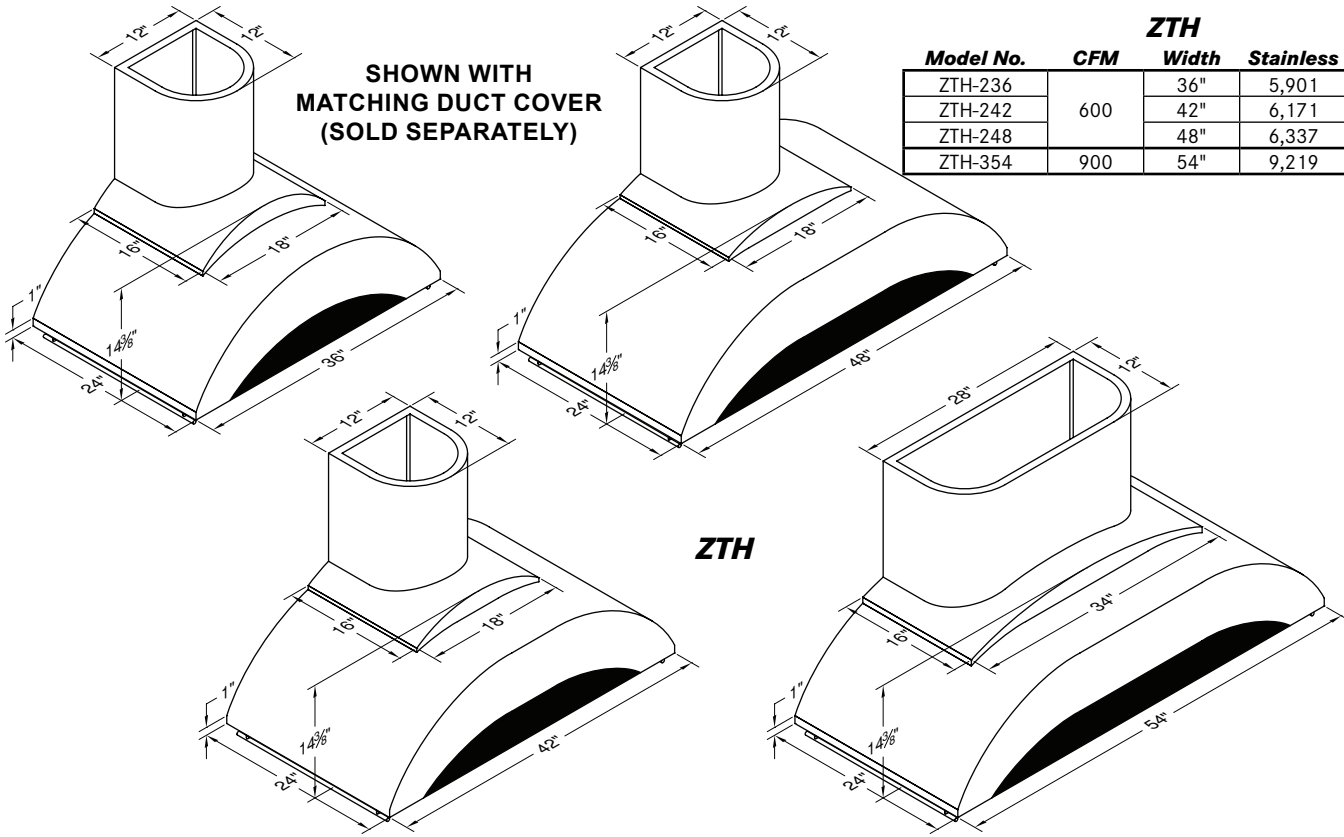
Model No.	Width	Height	Stainless
RXL8	10"	3"	370
SXL8	10"	3"	228

CONTEMPORARY WALL MOUNT

REC. MOUNTING HEIGHT FROM
COOKING SURFACE: 30"

900 CFM OPTIONAL TRANSITION TO 10" ROUND: VP562

SHOWN WITH
MATCHING DUCT COVER
(SOLD SEPARATELY)

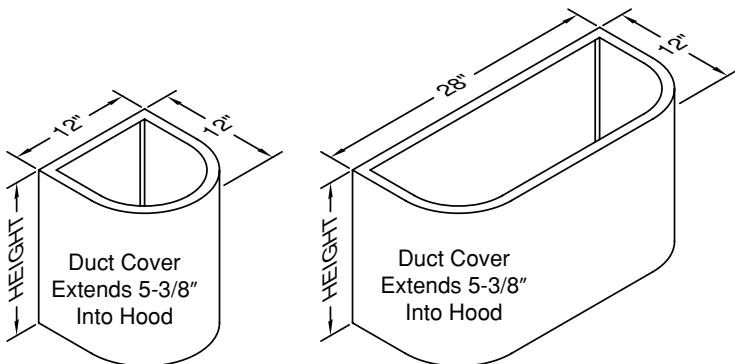


ZTH

Model No.	CFM	Width	Stainless	# Lts
ZTH-236	600	36"	5,901	4
ZTH-242		42"	6,171	4
ZTH-248		48"	6,337	4
ZTH-354	900	54"	9,219	4

ZTH VARIATIONS

REMOVE FIXED LENGTH SS RAIL	
ADD	373



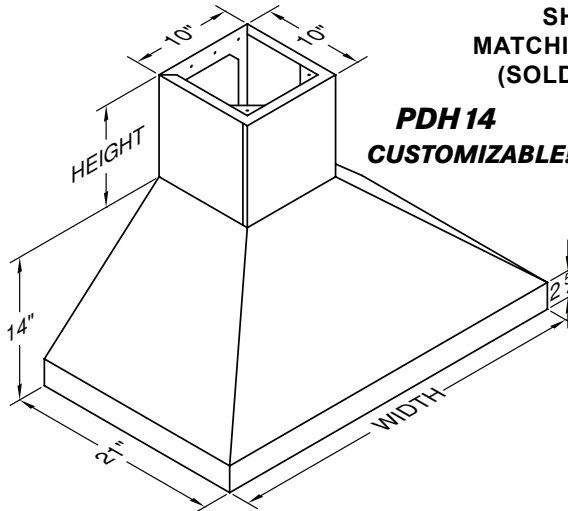
DUCT COVERS FOR ZTH

Model No.	Width	Height	Stainless	Ceiling
WZDC-12/9	12"	9"	741	7'
WZDC-12/21		21"	907	8'
WZDC-12/33		33"	1,092	9'
WZDC-28/9	28"	9"	907	7'
WZDC-28/21		21"	1,320	8'
WZDC-28/33		33"	1,709	9'
CUSTOM	WIDTH X HEIGHT X		1.24	
	PLUS		639	

CEILING BASED ON REC. MAXIMUM HOOD MOUNTING HEIGHT.

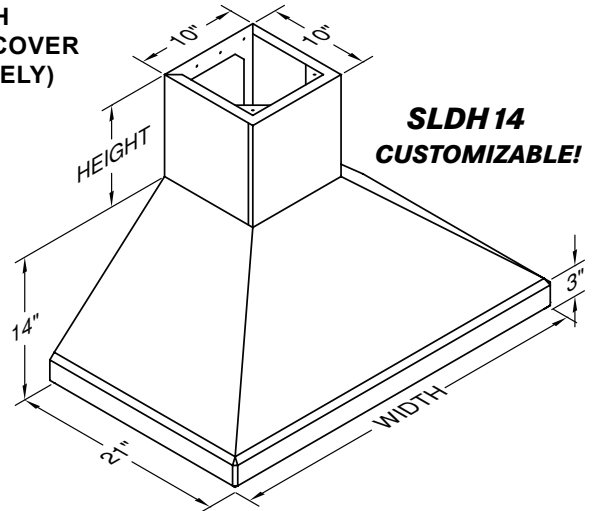
EURO-STYLE WALL MOUNT

REC. MOUNTING HEIGHT FROM
COOKING SURFACE: 24"



**PDH 14
CUSTOMIZABLE!**

SHOWN WITH
MATCHING DUCT COVER
(SOLD SEPARATELY)



**SLDH 14
CUSTOMIZABLE!**

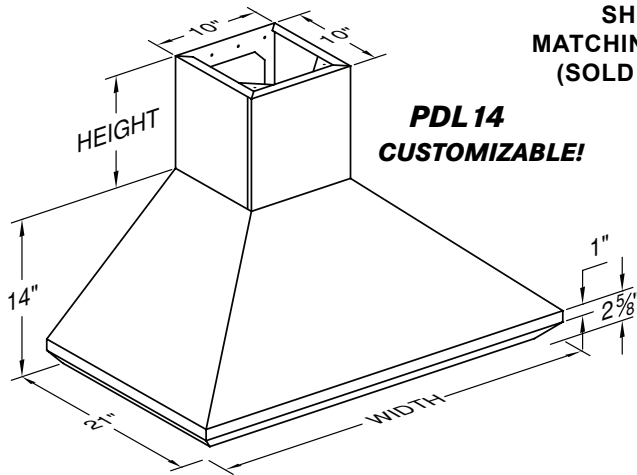
PDH 14

Model No.	CFM	Width	Painted	Stainless	Overlay*	# Lts
PDH 14-130	300	30"	2,471	3,420	5,061	2
PDH 14-136		36"	2,526	3,478	5,276	2
PDH 14-142		42"	2,809	3,761	5,792	3
PDH 14-148	600	48"	2,925	3,896	6,084	3
PDH 14-236		36"	3,101	4,107	5,850	2
PDH 14-242		42"	3,384	4,389	6,367	3
PDH 14-248		48"	3,499	4,527	6,658	3

SLDH 14

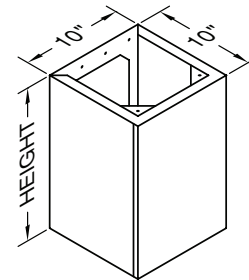
Model No.	CFM	Width	Painted	Stainless	# Lts
SLDH 14-130	300	30"	3,110	4,085	2
SLDH 14-136		36"	3,171	4,145	2
SLDH 14-142		42"	3,559	4,572	3
SLDH 14-148	600	48"	3,698	4,734	3
SLDH 14-236		36"	3,746	4,775	2
SLDH 14-242		42"	4,132	5,206	3
SLDH 14-248		48"	4,271	5,364	3

*FOR OVERLAY MODELS, SPECIFY INTERIOR COLOR.



**PDL 14
CUSTOMIZABLE!**

SHOWN WITH
MATCHING DUCT COVER
(SOLD SEPARATELY)



PDL 14

Model No.	CFM	Width	Painted	Stainless	Overlay*	# Lts
PDL 14-130	300	30"	2,471	3,420	5,061	2
PDL 14-136		36"	2,526	3,478	5,276	2
PDL 14-142		42"	2,809	3,761	5,792	3
PDL 14-148	600	48"	2,925	3,896	6,084	3
PDL 14-236		36"	3,101	4,107	5,850	2
PDL 14-242		42"	3,384	4,389	6,367	3
PDL 14-248		48"	3,499	4,527	6,658	3

*FOR OVERLAY MODELS, SPECIFY INTERIOR COLOR.

14" T EURO-STYLE WALL MOUNT DUCT COVERS

Model No.	Width	Height	Painted	Stainless	Overlay	Ceiling
WDCRND-10/10	10"	10"	651	707	764	7'
WDCRND-10/22		22"	745	842	976	8'
WDCRND-10/34		34"	842	976	1,185	9'
CUSTOM	WIDTH X HEIGHT X		0.77	1.24	1.94	
	PLUS		639			
FINISHED TOP	WIDTH X DEPTH X		0.77	1.24	1.94	
	PLUS		373			
SLOPED TOP*	ADD		639			

CEILING BASED ON REC. MAXIMUM HOOD MOUNTING HEIGHT.

*SPECIFY FRONT TO BACK OR LEFT TO RIGHT DIMENSIONS.

14" TALL WALL EURO-STYLE MOUNT HOOD VARIATIONS

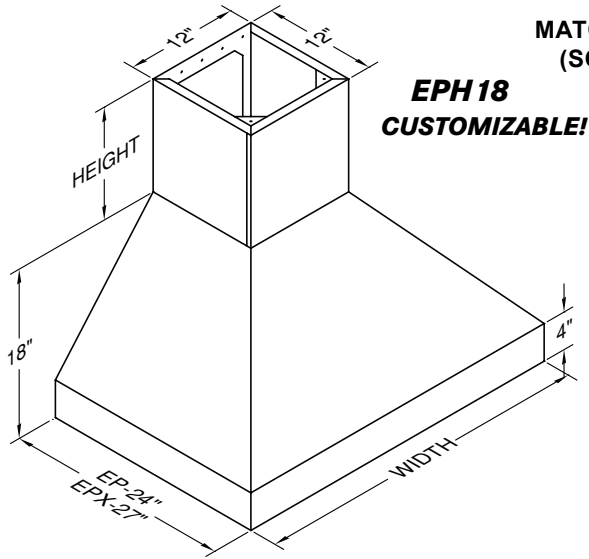
SPECIAL WIDTH (LESS THAN 48") USE NEXT LARGEST SIZE ON PRICE LIST, PLUS				373
DEPTH OVER 21"				
	PAINTED	STAINLESS	OVERLAY	
WIDTH X EXTRA DEPTH X	1.85	2.71	3.69	
PLUS				639
	STAINLESS STEEL INTERIOR ON OVERLAY HOOD SUBTRACT PAINTED HOOD PRICE FROM STAINLESS HOOD PRICE			
	CUSTOM COLOR (SEE CUSTOM COLOR CHART) ADD			
				1165
	TRIM OPTIONS SEE PAGES 56-57 FOR FINISH AND TRIM OPTIONS			

EURO-STYLE WALL MOUNT

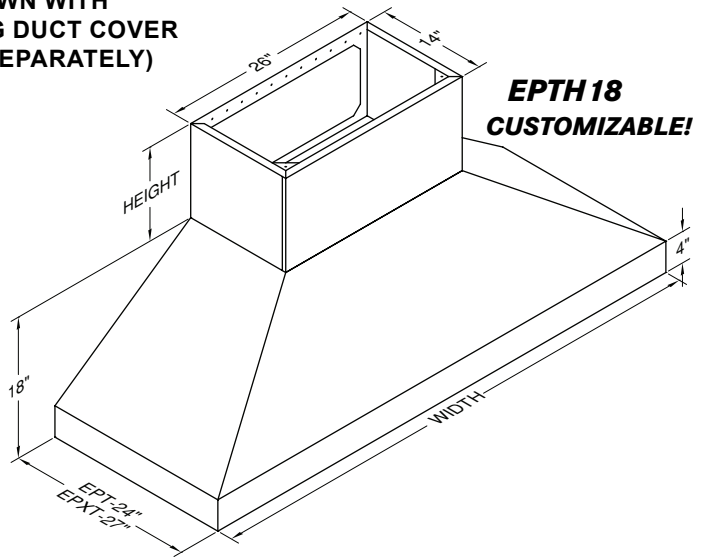
REC. MOUNTING HEIGHT FROM
COOKING SURFACE: 30"

900 CFM EPTH18 & NEPTH18 MODELS: VP562 TRANSITION INCLUDED
1200 CFM EPTH18 & NEPTH18 MODELS: VP563 TRANSITION INCLUDED

SHOWN WITH
MATCHING DUCT COVER
(SOLD SEPARATELY)



EPH18
CUSTOMIZABLE!



EPTH18
CUSTOMIZABLE!

EPH18/EPXH18

Model No.	CFM	Width	Painted	Stainless	Overlay*	# Lts
EPH18-236	600	36"	3,806	4,813	6,695	2
EPH18-242		42"	4,070	5,091	7,151	3
EPH18-248		48"	4,331	5,387	7,719	3

USE EPXH18 MODEL NUMBER PREFIX FOR 27" DEPTH PROJECTION.
• FOR OVERLAY MODELS, SPECIFY INTERIOR COLOR.

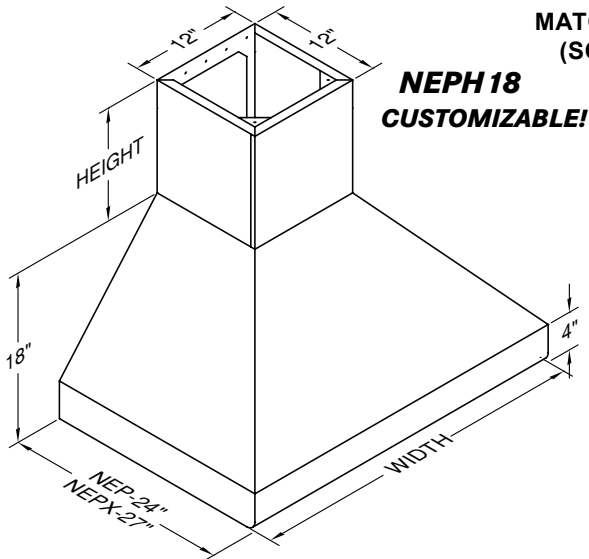
NEW MODEL ADDITION:
EPH18-230SS \$4,599

EPTH18/EPXTH18

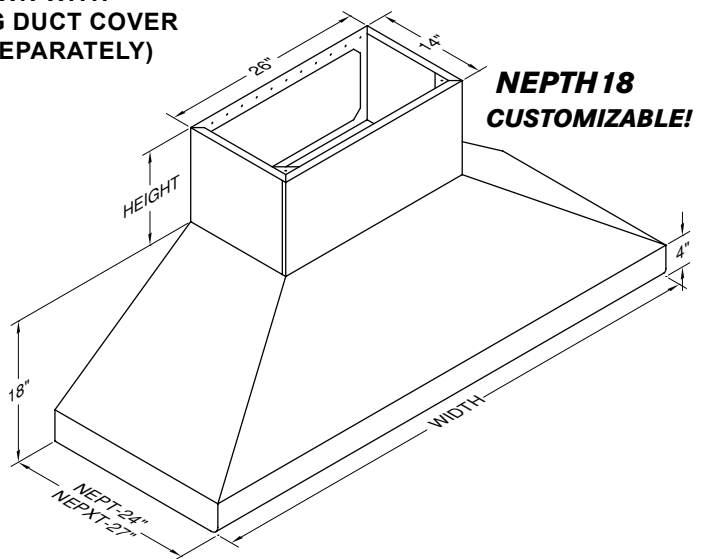
Model No.	CFM	Width	Painted	Stainless	Overlay*	# Lts	Incl.
EPTH18-342	900	42"	5,859	6,998	9,106	3	VP562
EPTH18-348		48"	6,002	7,142	9,411	3	VP562
EPTH18-354		54"	6,579	8,190	10,357	4	VP562
EPTH18-360		60"	6,840	8,559	10,849	4	VP562
EPTH18-366		66"	7,083	8,945	11,337	4	VP562
EPTH18-454	1200	54"	7,151	8,818	10,934	4	VP563
EPTH18-460		60"	7,417	9,187	11,422	4	VP563
EPTH18-466		66"	7,659	9,574	11,911	4	VP563

USE EPXTH18 MODEL NUMBER PREFIX FOR 27" DEPTH PROJECTION.
• FOR OVERLAY MODELS, SPECIFY INTERIOR COLOR.

SHOWN WITH
MATCHING DUCT COVER
(SOLD SEPARATELY)



NEPH18
CUSTOMIZABLE!



NEPTH18
CUSTOMIZABLE!

NEPH18/NEPXH18

Model No.	CFM	Width	Painted	Stainless	Overlay*	# Lts
NEPH18-236	600	36"	4,536	5,499	6,757	2
NEPH18-242		42"	4,701	5,827	8,266	3
NEPH18-248		48"	4,984	6,059	8,371	3

USE NEPXH18 MODEL NUMBER PREFIX FOR 27" DEPTH PROJECTION.
• FOR OVERLAY MODELS, SPECIFY INTERIOR COLOR.

NEPTH18/NEPXT18

Model No.	CFM	Width	Painted	Stainless	Overlay*	# Lts	Incl.
NEPTH18-342	900	42"	6,507	7,868	9,896	3	VP562
NEPTH18-348		48"	6,657	8,018	10,211	3	VP562
NEPTH18-354		54"	7,256	8,938	11,200	4	VP562
NEPTH18-360		60"	7,511	9,322	11,710	4	VP562
NEPTH18-366		66"	7,788	9,707	12,222	4	VP562
NEPTH18-454	1200	54"	7,856	9,594	11,798	4	VP563
NEPTH18-460		60"	8,109	9,978	12,308	4	VP563
NEPTH18-466		66"	8,385	10,363	12,818	4	VP563

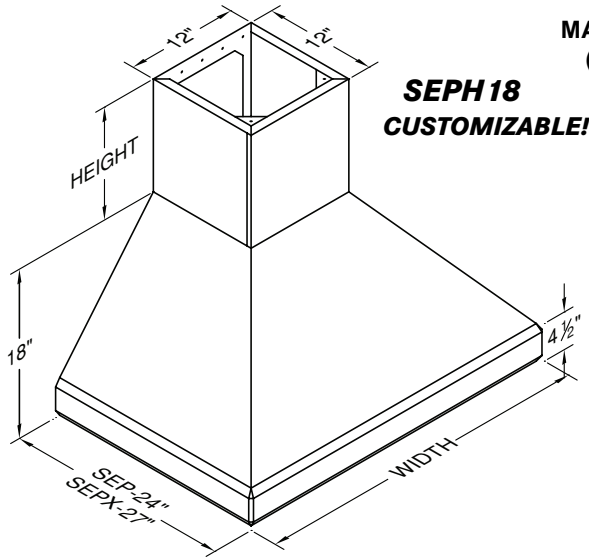
USE NEPXT18 MODEL NUMBER PREFIX FOR 27" DEPTH PROJECTION.
• FOR OVERLAY MODELS, SPECIFY INTERIOR COLOR.

EURO-STYLE WALL MOUNT

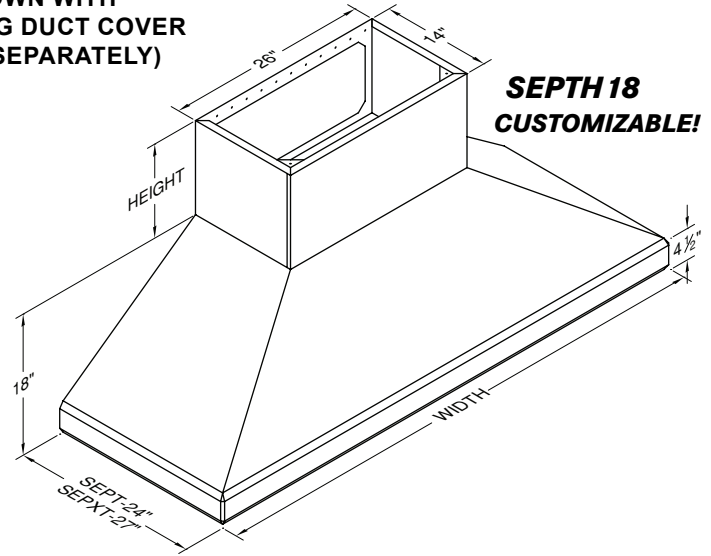
REC. MOUNTING HEIGHT FROM
COOKING SURFACE: 30"

900 CFM SEPH18 MODELS: VP562 TRANSITION INCLUDED
1200 CFM SEPH18 MODELS: VP563 TRANSITION INCLUDED

SHOWN WITH
MATCHING DUCT COVER
(SOLD SEPARATELY)



**SEPH18
CUSTOMIZABLE!**



**SEPH18
CUSTOMIZABLE!**

SEPH18/SEPHX18

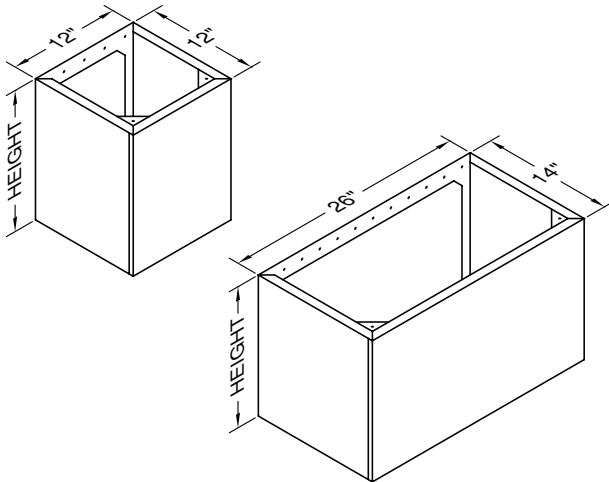
Model No.	CFM	Width	Painted	Stainless	# Lts
SEPH18-236	600	36"	4,528	5,385	2
SEPH18-242		42"	4,813	5,670	3
SEPH18-248		48"	4,953	5,806	3

USE SEPHX18 MODEL NUMBER PREFIX FOR 27" DEPTH PROJECTION.

SEPH18/SEPHX18

Model No.	CFM	Width	Painted	Stainless	# Lts	Incl.
SEPH18-342	900	42"	6,585	8,249	3	VP562
SEPH18-348		48"	7,143	8,415	3	VP562
SEPH18-354		54"	7,686	9,288	4	VP562
SEPH18-360		60"	7,954	9,658	4	VP562
SEPH18-366		66"	8,201	10,052	4	VP562
SEPH18-454		1200	54"	8,261	9,917	4
SEPH18-460	60"		8,528	10,287	4	VP563
SEPH18-466	66"		8,776	10,680	4	VP563

USE SEPHX18 MODEL NUMBER PREFIX FOR 27" DEPTH PROJECTION.



18" TALL EURO-STYLE WALL MOUNT DUCT COVERS

Model No.	Width	Height	Painted	Stainless	Overlay	Ceiling
WDCRND-12/12	12"	12"	689	745	842	8'
WDCRND-12/24		24"	787	917	1,092	9'
WDCRND-12/36		36"	899	1,069	1,355	10'
WDCRND-26/12	26"	12"	803	938	1,146	8'
WDCRND-26/24		24"	1,033	1,299	1,700	9'
WDCRND-26/36		36"	1,262	1,643	2,257	10'
CUSTOM	WIDTH X HEIGHT X PLUS	0.77	1.24	1.94		
	FINISHED TOP	WIDTH X DEPTH X PLUS	0.77	1.24	1.94	
SLOPED TOP •	ADD		639			

CEILING BASED ON REC. MAXIMUM HOOD MOUNTING HEIGHT.

• SPECIFY FRONT TO BACK OR LEFT TO RIGHT DIMENSIONS.

18" TALL WALL EURO-STYLE MOUNT HOOD VARIATIONS

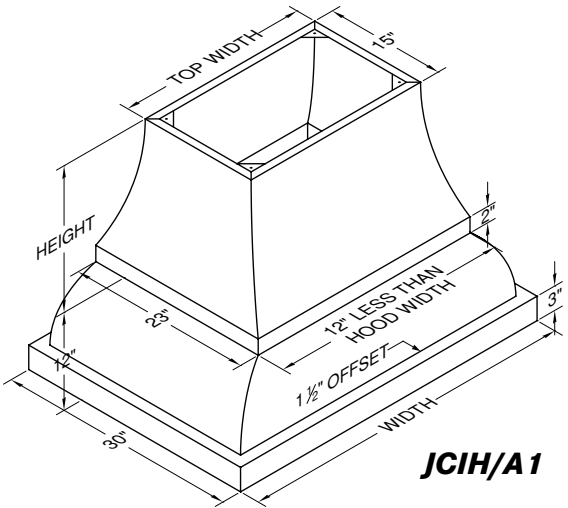
WIDTHS OVER 48"/66"				SPECIAL WIDTH (LESS THAN 48"/66")	
FOR EACH 6" INCREMENT PLUS	PAINTED 289	STAINLESS 414	OVERLAY 514	USE NEXT LARGEST SIZE ON PRICE LIST, PLUS	373
DEPTH OVER 24" (EXCLUDING 27")				STAINLESS STEEL INTERIOR ON OVERLAY HOOD	
WIDTH X EXTRA DEPTH X PLUS	PAINTED 1.85	STAINLESS 2.71	OVERLAY 3.69	SUBTRACT PAINTED HOOD PRICE FROM STAINLESS HOOD PRICE	
				CUSTOM COLOR (SEE CUSTOM COLOR CHART)	
				ADD	1165
				TRIM OPTIONS	
				SEE PAGES 56-57 FOR FINISH AND TRIM OPTIONS	

DESIGNER SERIES ISLAND

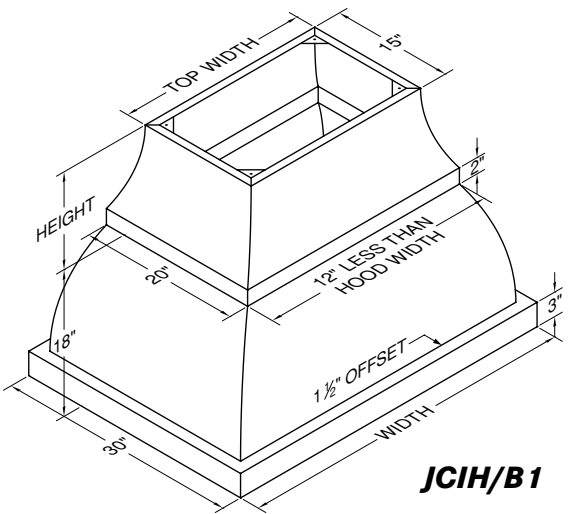
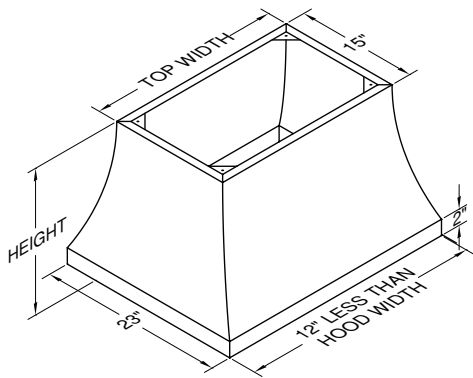
REC. MOUNTING HEIGHT FROM
COOKING SURFACE: 30"

MODELS SHOWN WITH
MATCHING DUCT COVER
(SOLD SEPARATELY)

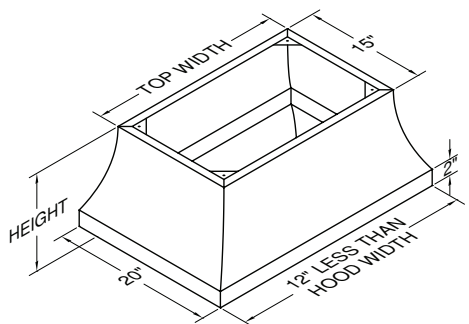
550 CFM MODELS: VP565 TRANSITION INCLUDED
1100 CFM MODELS: VP564 TRANSITION INCLUDED



JCIH/A1



JCIH/B1



JCIH/A1

Model No.	CFM	Width	Top W.	Painted	Stainless	Overlay*	# Lts
JCIH236/A1	550*	36"	24"	5,885	7,648	10,877	4
JCIH242/A1		42"	30"	6,083	8,018	11,289	4
JCIH248/A1		48"	36"	6,256	8,157	11,594	4
JCIH254/A1		54"	42"	6,784	8,838	12,593	4
JCIH448/A1	1100+	48"	36"	7,529	9,783	12,866	4
JCIH454/A1		54"	42"	8,055	10,467	13,865	4
JCIH460/A1		60"	48"	8,888	11,592	16,860	4
JCIH466/A1		66"	54"	9,176	11,966	17,426	4

*FOR OVERLAY HOODS, SPECIFY INTERIOR COLOR.
*VP565 TRANSITION TO 8" ROUND INCLUDED.
+VP564 TRANSITION TO 12" ROUND INCLUDED.

DUCT COVERS FOR JCIH/A1

Model No.	Width	Top W.	Height	Painted	Stainless	Overlay*	Ceiling
ICDC-24/15/18	24"	18"	18"	2,592	2,727	3,096	8'
		15"	30"	2,866	3,096	3,719	9'
		15"	42"	3,136	3,468	4,344	10'
ICDC-30/15/18	30"	24"	18"	2,689	2,884	3,332	8'
		18"	30"	3,039	3,332	4,112	9'
		18"	42"	3,389	3,799	4,888	10'
ICDC-36/15/18	36"	30"	18"	2,807	3,021	3,564	8'
		24"	30"	3,213	3,564	4,501	9'
		18"	42"	3,623	4,130	5,415	10'
ICDC-42/15/18	42"	36"	18"	2,903	3,155	3,799	8'
		30"	30"	3,389	3,799	4,888	9'
		24"	42"	3,856	4,442	5,962	10'
ICDC-48/15/18	48"	42"	18"	3,001	3,293	4,032	8'
		36"	30"	3,545	4,032	5,260	9'
		30"	42"	4,112	4,774	6,504	10'
ICDC-54/15/18	54"	48"	18"	3,096	3,429	4,265	8'
		42"	30"	3,719	4,265	5,650	9'
		36"	42"	4,344	5,103	7,032	10'

*TRIM REQUIRED ON MODELS EXCEEDING 35" WIDTH AND 30" HEIGHT.
CEILING BASED ON REC. MAXIMUM HOOD MOUNTING HEIGHT.

JCIH/B1

Model No.	CFM	Width	Top W.	Painted	Stainless	Overlay*	# Lts
JCIH236/B1	550*	36"	24"	5,885	7,648	10,877	4
JCIH242/B1		42"	30"	6,083	8,018	11,289	4
JCIH248/B1		48"	36"	6,256	8,157	11,594	4
JCIH254/B1		54"	42"	6,784	8,838	12,593	4
JCIH448/B1	1100+	48"	36"	7,529	9,783	12,866	4
JCIH454/B1		54"	42"	8,055	10,467	13,865	4
JCIH460/B1		60"	48"	8,888	11,592	16,860	4
JCIH466/B1		66"	54"	9,176	11,966	17,426	4

*FOR OVERLAY HOODS, SPECIFY INTERIOR COLOR.
*VP565 TRANSITION TO 8" ROUND INCLUDED.
+VP564 TRANSITION TO 12" ROUND INCLUDED.

DUCT COVERS FOR JCIH/B1

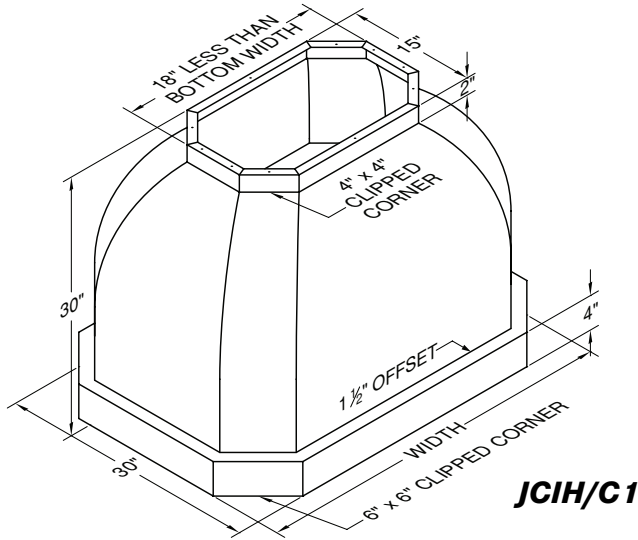
Model No.	Width	Top W.	Height	Painted	Stainless	Overlay*	Ceiling
ICDC-24/15/12	24"	18"	12"	2,592	2,727	3,096	8'
		18"	24"	2,866	3,096	3,719	9'
		15"	36"	3,136	3,468	4,344	10'
ICDC-30/15/12	30"	24"	12"	2,689	2,884	3,332	8'
		18"	24"	3,039	3,332	4,112	9'
		18"	36"	3,389	3,799	4,888	10'
ICDC-36/15/12	36"	30"	12"	2,807	3,021	3,564	8'
		24"	24"	3,213	3,564	4,501	9'
		18"	36"	3,623	4,130	5,415	10'
ICDC-42/15/12	42"	36"	12"	2,903	3,155	3,799	8'
		30"	24"	3,389	3,799	4,888	9'
		24"	36"	3,856	4,442	5,962	10'
ICDC-48/15/12	48"	42"	12"	3,001	3,293	4,032	8'
		36"	24"	3,545	4,032	5,260	9'
		30"	36"	4,112	4,774	6,504	10'
ICDC-54/15/12	54"	48"	12"	3,096	3,429	4,265	8'
		42"	24"	3,719	4,265	5,650	9'
		36"	36"	4,344	5,103	7,032	10'

*TRIM REQUIRED ON MODELS EXCEEDING 35" WIDTH AND 30" HEIGHT.
CEILING BASED ON REC. MAXIMUM HOOD MOUNTING HEIGHT.

DESIGNER SERIES ISLAND

REC. MOUNTING HEIGHT FROM
COOKING SURFACE: 30"

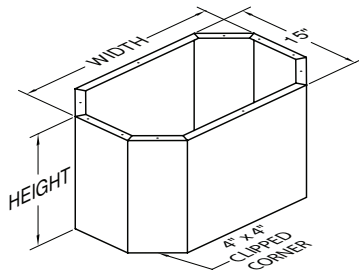
550 CFM MODELS: VP565 TRANSITION INCLUDED
1100 CFM MODELS: VP564 TRANSITION INCLUDED



JCIH/C1

Model No.	CFM	Width	Painted	Stainless	Overlay*	# Lts
JCIH236/C1	550*	36"	8,107	10,260	13,466	4
JCIH242/C1		42"	8,456	10,769	14,141	4
JCIH248/C1		48"	8,741	11,185	14,251	4
JCIH254/C1	1100+	54"	9,354	12,043	15,904	4
JCIH448/C1		48"	10,012	12,813	15,524	4
JCIH454/C1		54"	10,626	13,671	17,176	4
JCIH460/C1		60"	11,414	14,796	20,049	4
JCIH466/C1		66"	11,831	15,368	20,853	4

• FOR OVERLAY HOODS, SPECIFY INTERIOR COLOR.
*VP565 TRANSITION TO 8" ROUND INCLUDED.
+VP564 TRANSITION TO 12" ROUND INCLUDED.



DUCT COVERS FOR JCIH/C1

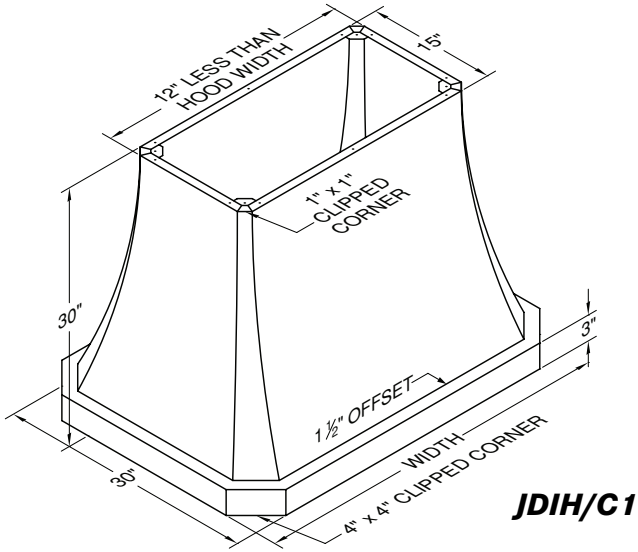
Model No.	Width	Height	Painted	Stainless	Overlay	Ceiling
IDCC4-18/12	18"	12"	1,948	2,028	2,201	9'
IDCC4-18/24		24"	2,163	2,300	2,668	10'
IDCC4-24/12	24"	12"	2,028	2,103	2,357	9'
IDCC4-24/24		24"	2,300	2,475	2,979	10'
IDCC4-30/12	30"	12"	2,084	2,201	2,514	9'
IDCC4-30/24		24"	2,435	2,668	3,293	10'
IDCC4-36/12	36"	12"	2,163	2,300	2,668	9'
IDCC4-36/24		24"	2,573	2,843	3,587	10'
IDCC4-42/12	42"	12"	2,221	2,398	2,824	9'
IDCC4-42/24		24"	2,709	3,039	3,896	10'
IDCC4-48/12	48"	12"	2,300	2,475	2,979	9'
IDCC4-48/24		24"	2,843	3,213	4,208	10'

CEILING BASED ON REC. MAXIMUM HOOD MOUNTING HEIGHT.

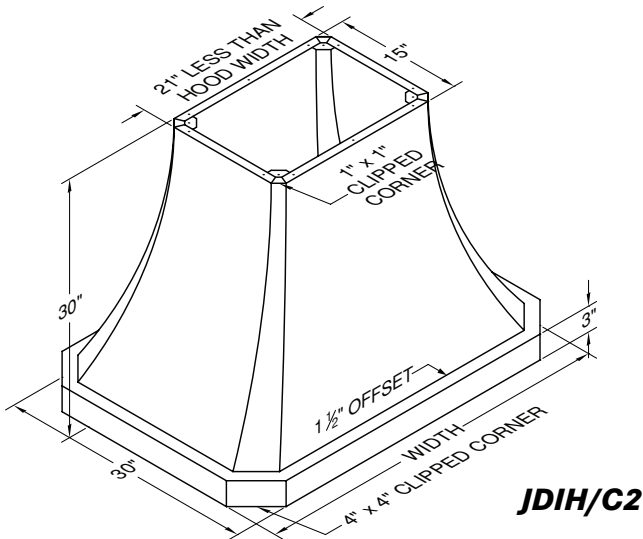
DESIGNER SERIES ISLAND

REC. MOUNTING HEIGHT FROM
COOKING SURFACE: 30"

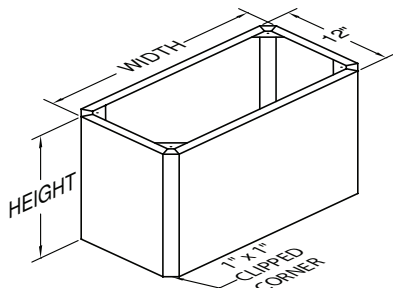
550 CFM MODELS: VP565 TRANSITION INCLUDED
1100 CFM MODELS: VP564 TRANSITION INCLUDED



JDIH/C1



JDIH/C2



JDIH/C1

Model No.	CFM	Width	Painted	Stainless	Overlay*	# Lts
JDIH236/C1	550*	36"	8,107	10,260	13,466	4
JDIH242/C1		42"	8,456	10,769	14,141	4
JDIH248/C1		48"	8,741	11,185	14,251	4
JDIH254/C1		54"	9,354	12,043	15,904	4
JDIH448/C1	1100+	48"	10,012	12,813	15,524	4
JDIH454/C1		54"	10,626	13,671	17,176	4
JDIH460/C1		60"	11,414	14,796	20,049	4
JDIH466/C1		66"	11,831	15,368	20,853	4

*FOR OVERLAY HOODS, SPECIFY INTERIOR COLOR.
*VP565 TRANSITION TO 8" ROUND INCLUDED.
*VP564 TRANSITION TO 12" ROUND INCLUDED.

JDIH/C2

Model No.	CFM	Width	Painted	Stainless	Overlay*	# Lts
JDIH236/C2	550*	36"	8,107	10,260	13,466	4
JDIH242/C2		42"	8,456	10,769	14,141	4
JDIH248/C2		48"	8,741	11,185	14,251	4
JDIH254/C2		54"	9,354	12,043	15,904	4
JDIH448/C2	1100+	48"	10,012	12,813	15,524	4
JDIH454/C2		54"	10,626	13,671	17,176	4
JDIH460/C2		60"	11,414	14,796	20,049	4
JDIH466/C2		66"	11,831	15,368	20,853	4

*FOR OVERLAY HOODS, SPECIFY INTERIOR COLOR.
*VP565 TRANSITION TO 8" ROUND INCLUDED.
*VP564 TRANSITION TO 12" ROUND INCLUDED.

DUCT COVERS FOR JDIH/C1 & JDIH/C2

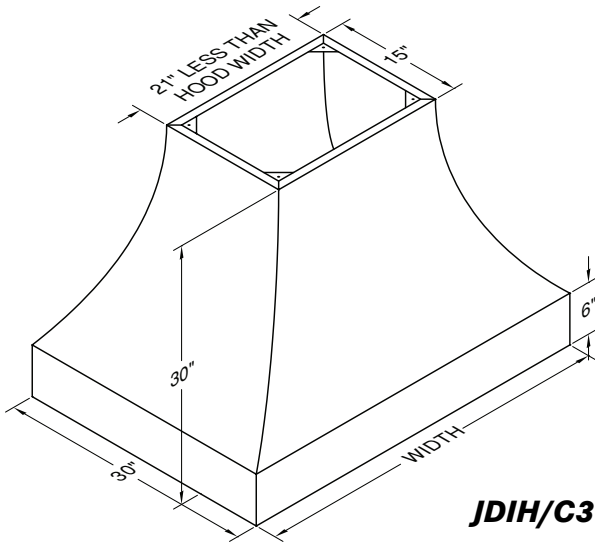
Model No.	Width	Height	Painted	Stainless	Overlay	Ceiling
IDCC1-15/12	15"	12"	1,909	1,967	2,125	9'
IDCC1-15/24		24"	2,084	2,201	2,514	10'
IDCC1-21/12	21"	12"	1,989	2,066	2,280	9'
IDCC1-21/24		24"	2,221	2,398	2,824	10'
IDCC1-24/12	24"	12"	2,028	2,103	2,357	9'
IDCC1-24/24		24"	2,300	2,475	2,979	10'
IDCC1-27/12	27"	12"	2,045	2,163	2,435	9'
IDCC1-27/24		24"	2,357	2,573	3,136	10'
IDCC1-30/12	30"	12"	2,084	2,201	2,514	9'
IDCC1-30/24		24"	2,435	2,668	3,293	10'
IDCC1-33/12	33"	12"	2,125	2,241	2,592	9'
IDCC1-33/24		24"	2,493	2,768	3,429	10'
IDCC1-36/12	36"	12"	2,163	2,300	2,668	9'
IDCC1-36/24		24"	2,573	2,843	3,587	10'
IDCC1-39/12	39"	12"	2,183	2,340	2,749	9'
IDCC1-39/24		24"	2,631	2,942	3,741	10'
IDCC1-42/12	42"	12"	2,221	2,398	2,824	9'
IDCC1-42/24		24"	2,709	3,039	3,896	10'
IDCC1-45/12	45"	12"	2,259	2,435	2,903	9'
IDCC1-45/24		24"	2,768	3,136	4,054	10'
IDCC1-48/12	48"	12"	2,300	2,475	2,979	9'
IDCC1-48/24		24"	2,843	3,213	4,208	10'
IDCC1-54/12	54"	12"	2,357	2,573	3,136	9'
IDCC1-54/24		24"	2,979	3,409	4,520	10'

*TRIM REQUIRED ON MODELS EXCEEDING 35" WIDTH AND 30" HEIGHT.
CEILING BASED ON REC. MAXIMUM HOOD MOUNTING HEIGHT.

DESIGNER SERIES ISLAND

REC. MOUNTING HEIGHT FROM
COOKING SURFACE: 30"

550 CFM MODELS: VP565 TRANSITION INCLUDED
1100 CFM MODELS: VP564 TRANSITION INCLUDED

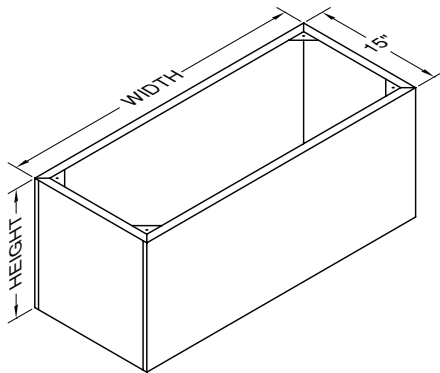


JDIH/C3

JDIH/C3

Model No.	CFM	Width	Painted	Stainless	Overlay*	# Lts
JDIH236/C3	550*	36"	8,107	10,260	13,466	4
JDIH242/C3		42"	8,456	10,769	14,141	4
JDIH248/C3		48"	8,741	11,185	14,251	4
JDIH254/C3		54"	9,354	12,043	15,904	4
JDIH448/C3	1100+	48"	10,012	12,813	15,524	4
JDIH454/C3		54"	10,626	13,671	17,176	4
JDIH460/C3		60"	11,414	14,796	20,049	4
JDIH466/C3		66"	11,831	15,368	20,853	4

*FOR OVERLAY HOODS, SPECIFY INTERIOR COLOR.
*VP565 TRANSITION TO 8" ROUND INCLUDED.
+VP564 TRANSITION TO 12" ROUND INCLUDED.



IDCRND FOR JDIH/C3

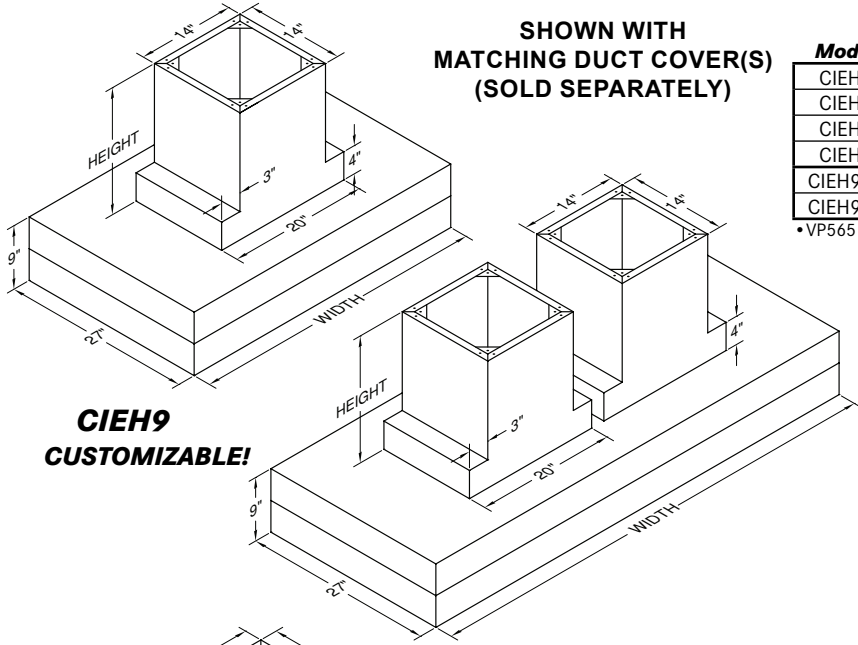
Model No.	Width	Height	Painted	Stainless	Overlay	Ceiling
IDCRND-15/12	15"	12"	760	819	975	8'
IDCRND-15/24		24"	936	1,053	1,364	9'
IDCRND-21/12	21"	12"	845	930	1,142	9'
IDCRND-21/24		24"	1,085	1,254	1,683	10'
IDCRND-27/12	27"	12"	911	1,022	1,300	9'
IDCRND-27/24		24"	1,223	1,442	1,993	10'
IDCRND-33/12	33"	12"	981	1,116	1,454	9'
IDCRND-33/24		24"	1,361	1,628	2,302	10'
IDCRND-39/12	39"	12"	1,052	1,208	1,605	9'
IDCRND-39/24		24"	1,499	1,814	2,608	10'
IDCRND-45/12	45"	12"	1,121	1,303	1,760	9'
IDCRND-45/24		24"	1,636	2,001	2,916	10'
CUSTOM	WIDTH X HEIGHT X		1.03	1.38	2.28	
	PLUS		639			
SLOPED TOP*	ADD		639			

CEILING BASED ON REC. MAXIMUM HOOD MOUNTING HEIGHT.
*SPECIFY FRONT TO BACK OR LEFT TO RIGHT DIMENSIONS.

CONTEMPORARY ISLAND

REC. MOUNTING HEIGHT FROM
COOKING SURFACE: 30"

550 CFM MODELS: VP565 TRANSITION INCLUDED
1100 CFM MODELS: TWO VP565 TRANSITIONS INCLUDED



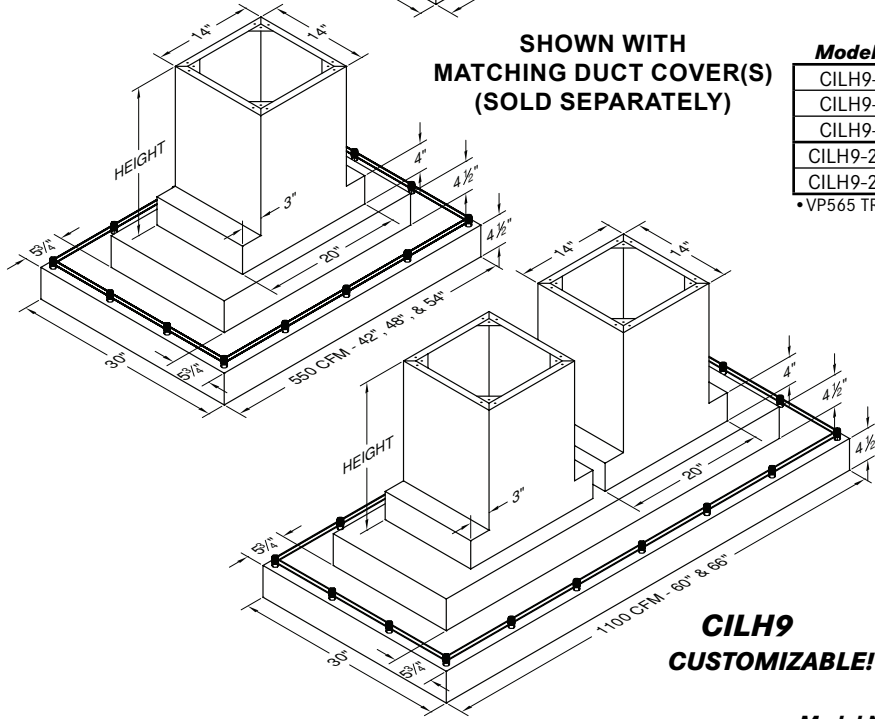
CIEH9
CUSTOMIZABLE!

SHOWN WITH
MATCHING DUCT COVER(S)
(SOLD SEPARATELY)

CIEH9

Model No.	CFM	Width	Painted	Stainless	# Lts
CIEH9-236	550	36"	5,392	6,836	4
CIEH9-242		42"	5,434	7,086	4
CIEH9-248		48"	5,725	7,483	4
CIEH9-254		54"	6,202	8,092	4
CIEH9-2+260	1100	60"	8,304	10,796	6
CIEH9-2+266		66"	8,558	11,156	6

•VP565 TRANSITION TO 8" ROUND INCLUDED WITH EACH DUAL BLOWER.



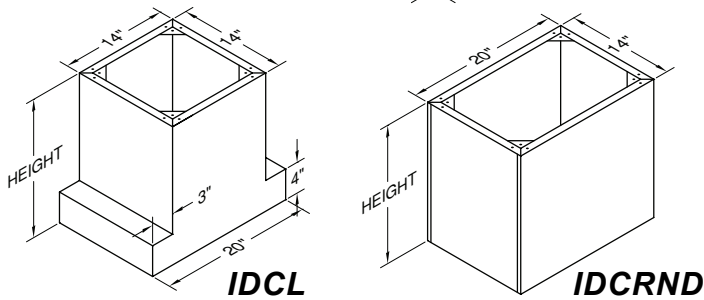
CILH9
CUSTOMIZABLE!

SHOWN WITH
MATCHING DUCT COVER(S)
(SOLD SEPARATELY)

CILH9

Model No.	CFM	Width	Painted	Stainless	# Lts
CILH9-242	550	42"	5,434	7,086	4
CILH9-248		48"	5,725	7,483	4
CILH9-254		54"	6,202	8,109	4
CILH9-2+260	1100	60"	8,494	10,796	6
CILH9-2+266		66"	8,558	11,156	6

•VP565 TRANSITION TO 8" ROUND INCLUDED WITH EACH DUAL BLOWER.



IDCL

IDCRND

IDCL/IDCRND FOR CIEH9/CILH9

Model No.	Width	Height	Painted	Stainless	Ceiling
IDCL-14/20/9	20"	9"	760	819	7'
IDCL-14/20/21		21"	995	1,130	8'
IDCL-14/20/33		33"	1,227	1,423	9'
IDCRND-14/20/9	20"	9"	760	819	7'
IDCRND-14/20/21		21"	995	1,130	8'
IDCRND-14/20/33		33"	1,227	1,423	9'
IDCRND-14/20/45		45"	1,442	1,577	10'
CUSTOM	WIDTH X HEIGHT X	1.03	1.38		
	PLUS	639			
SLOPED TOP •	ADD	639			

CEILING BASED ON REC. MAXIMUM HOOD MOUNTING HEIGHT.

•SPECIFY FRONT TO BACK OR LEFT TO RIGHT DIMENSIONS.

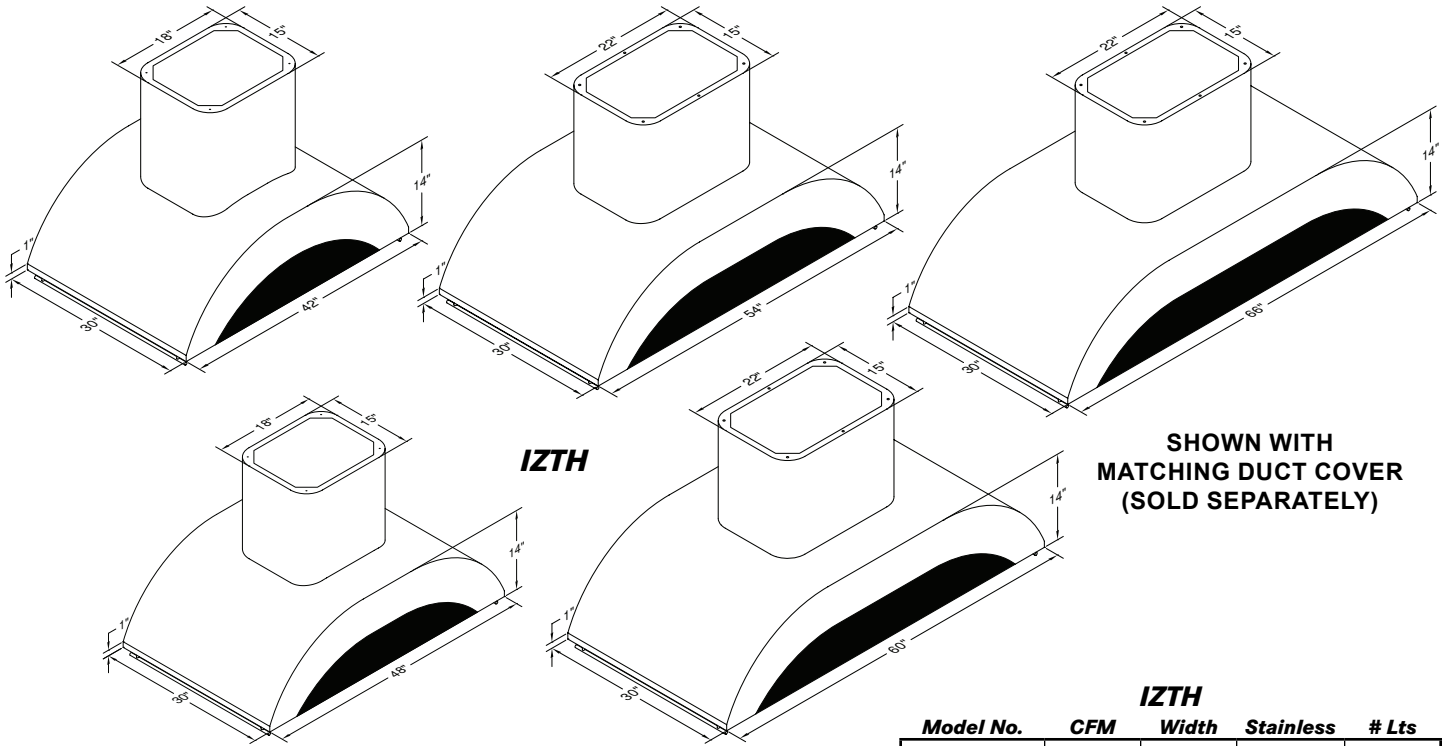
CIEH9/CILH9 VARIATIONS

WIDTHS OVER 66"	PAINTED	STAINLESS	SPECIAL WIDTH (LESS THAN 66")
FOR EACH 6" INCREMENT PLUS	329	432	USE NEXT LARGEST SIZE ON PRICE LIST, PLUS 373
	373		REMOVE GALLEY RAIL (CILH9 ONLY) TO REMOVE RAIL, NO CHARGE

CONTEMPORARY ISLAND

REC. MOUNTING HEIGHT FROM
COOKING SURFACE: 30"

550 CFM MODELS: VP565 TRANSITION INCLUDED
1100 CFM MODELS: VP564 TRANSITION INCLUDED



SHOWN WITH
MATCHING DUCT COVER
(SOLD SEPARATELY)

IZTH

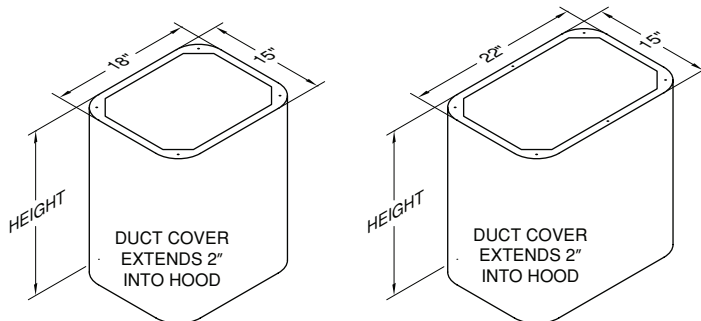
IZTH

Model No.	CFM	Width	Stainless	# Lts
IZTH-242	550*	42"	8,552	4
IZTH-248		48"	8,737	4
IZTH-454	1100+	54"	11,345	4
IZTH-460		60"	12,218	4
IZTH-466		66"	12,639	4

*VP565 TRANSITION TO 8" ROUND INCLUDED.
+VP564 TRANSITION TO 12" ROUND INCLUDED.

IZTH VARIATIONS

REMOVE FIXED LENGTH SS RAIL
ADD 639



NOTE: DUCT COVER WILL HAVE A
VISIBLE SEAM ON ONE SIDE.

DUCT COVERS FOR IZTH

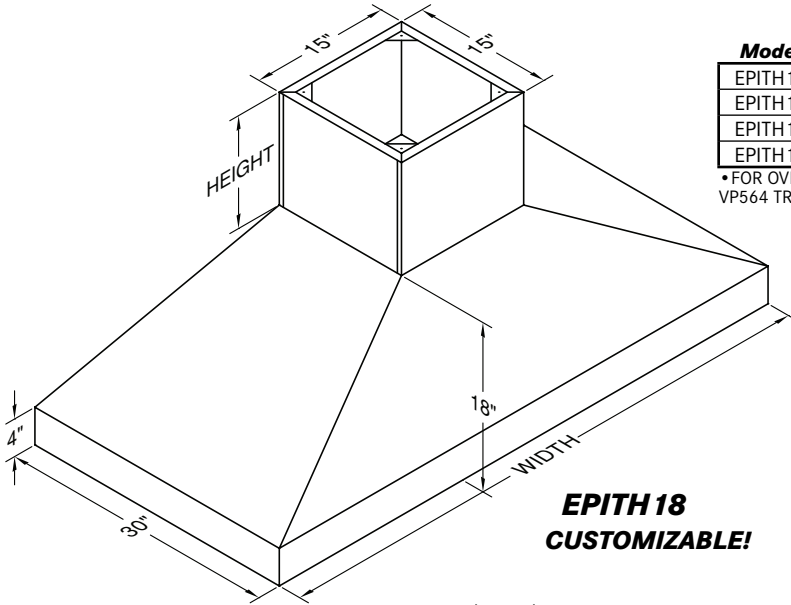
Model No.	Width	Height	Stainless	Ceiling
IZDC-18/6	18"	6"	741	7'
IZDC-18/18		18"	1,013	8'
IZDC-18/30		30"	1,287	9'
IZDC-22/6	22"	6"	760	7'
IZDC-22/18		18"	1,089	8'
IZDC-22/30		30"	1,423	9'
CUSTOM	WIDTH X HEIGHT X PLUS		1.38 639	

CEILING BASED ON REC. MAXIMUM HOOD MOUNTING HEIGHT.

EURO-STYLE ISLAND

REC. MOUNTING HEIGHT FROM
COOKING SURFACE: 30"

1100 CFM MODELS: VP564 TRANSITION INCLUDED

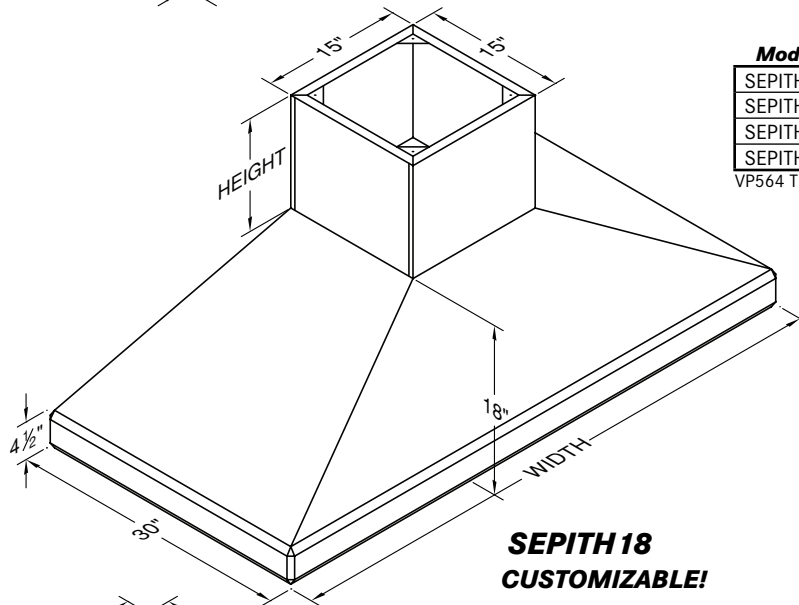


EPITH 18

Model No.	CFM	Width	Painted	Stainless	Overlay*	# Lts
EPITH18-448	1100	48"	7,322	9,134	12,384	4
EPITH18-454		54"	8,046	9,945	13,470	4
EPITH18-460		60"	8,365	10,652	14,172	4
EPITH18-466		66"	8,705	11,096	14,896	4

* FOR OVERLAY HOODS, SPECIFY INTERIOR COLOR.
VP564 TRANSITION TO 12" ROUND INCLUDED.

SHOWN WITH
MATCHING DUCT COVER
(SOLD SEPARATELY)

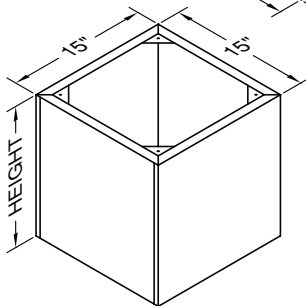


SEPITH 18

Model No.	CFM	Width	Painted	Stainless	# Lts
SEPITH18-448	1100	48"	8,001	10,009	4
SEPITH18-454		54"	8,728	10,863	4
SEPITH18-460		60"	9,046	11,310	4
SEPITH18-466		66"	9,364	11,781	4

VP564 TRANSITION TO 12" ROUND INCLUDED.

SHOWN WITH
MATCHING DUCT COVER
(SOLD SEPARATELY)



1100 CFM EURO-STYLE ISLAND DUCT COVERS

Model No.	Width	Height	Painted	Stainless	Overlay	Ceiling
IDCRND-15/12	15"	12"	760	819	975	8'
IDCRND-15/24		24"	936	1,053	1,364	9'
IDCRND-15/36		36"	1,112	1,287	1,721	10'
CUSTOM	WIDTH X HEIGHT X		1.03	1.38	2.28	
	PLUS		639			
SLOPED TOP*	ADD		639			

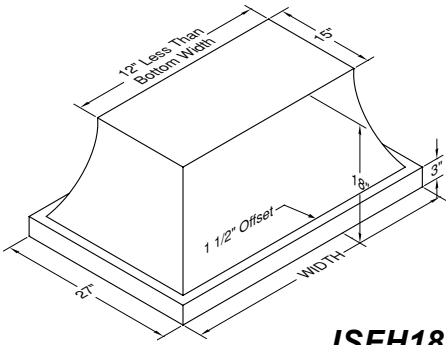
CEILING BASED ON REC. MAXIMUM HOOD MOUNTING HEIGHT.
* SPECIFY FRONT TO BACK OR LEFT TO RIGHT DIMENSIONS.

1100 CFM EURO-STYLE ISLAND HOOD VARIATIONS

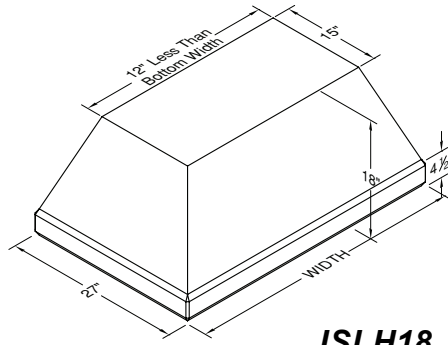
WIDTHS OVER 66"				STAINLESS STEEL INTERIOR ON OVERLAY HOOD	
FOR EACH 6" INCREMENT	PAINTED	STAINLESS	OVERLAY	SUBTRACT PAINTED HOOD PRICE FROM STAINLESS HOOD PRICE	
PLUS	329	432	680	REMOTE BLOWER OPTIONS	
		373		SEE PAGES 50-51 FOR REMOTE BLOWER OPTIONS	
SPECIAL WIDTH (LESS THAN 66")				CUSTOM COLOR (SEE CUSTOM COLOR CHART)	
USE NEXT LARGEST SIZE ON PRICE LIST,				ADD	
PLUS		373		1165	
DEPTH OVER 30"				TRIM OPTIONS	
WIDTH X EXTRA DEPTH X	PAINTED	STAINLESS	OVERLAY	SEE PAGES 56-57 FOR FINISH AND TRIM OPTIONS	
PLUS	2.04	3.33	4.09		
		639			

OTHER ISLAND STYLES

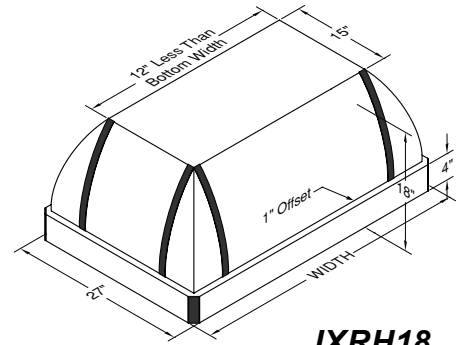
THESE MODELS HAVE BEEN REMOVED FROM OUR PRICING LITERATURE BUT THAT DOES NOT MEAN THAT THEY HAVE BEEN DISCONTINUED. PLEASE CONTACT THE FACTORY FOR PRICING DETAILS ON THESE HOODS.



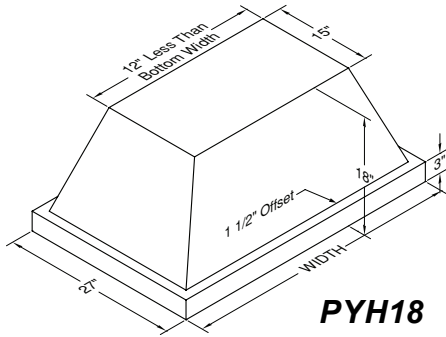
ISFH18



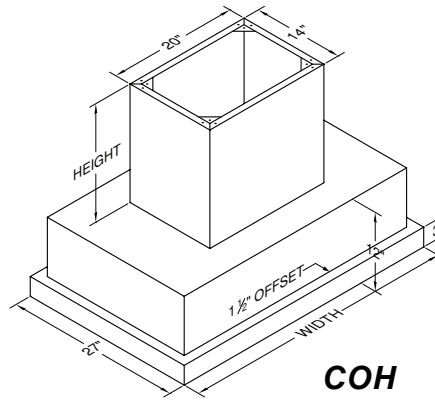
ISLH18



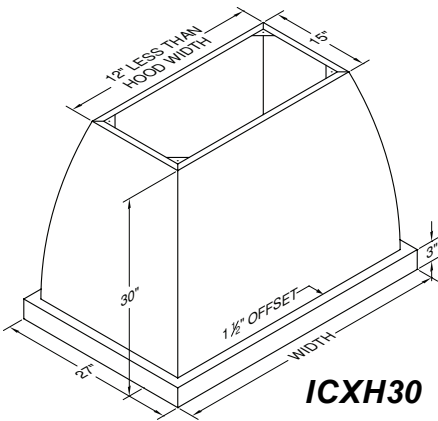
IXRH18



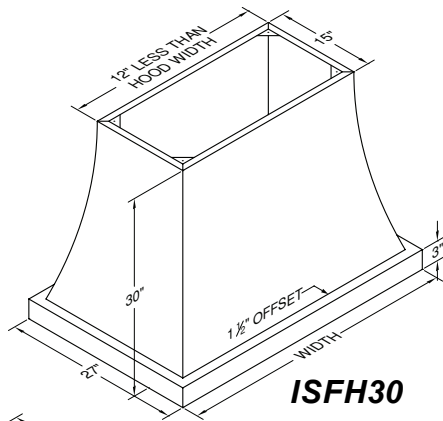
PYH18



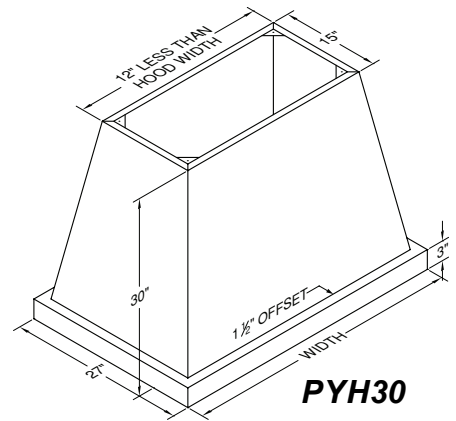
COH



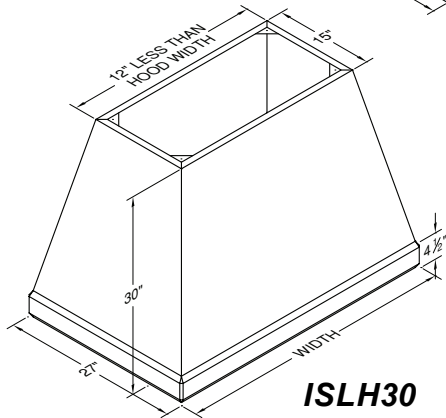
ICXH30



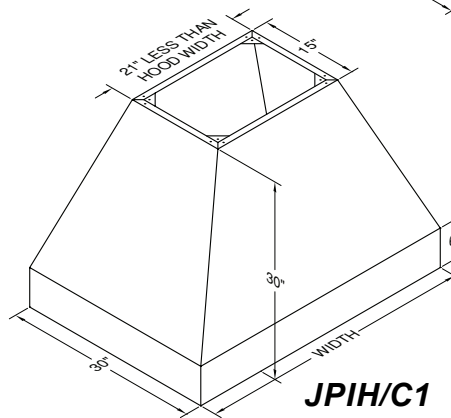
ISFH30



PYH30



ISLH30



JPIH/C1

WALL MOUNT LINER INSERTS

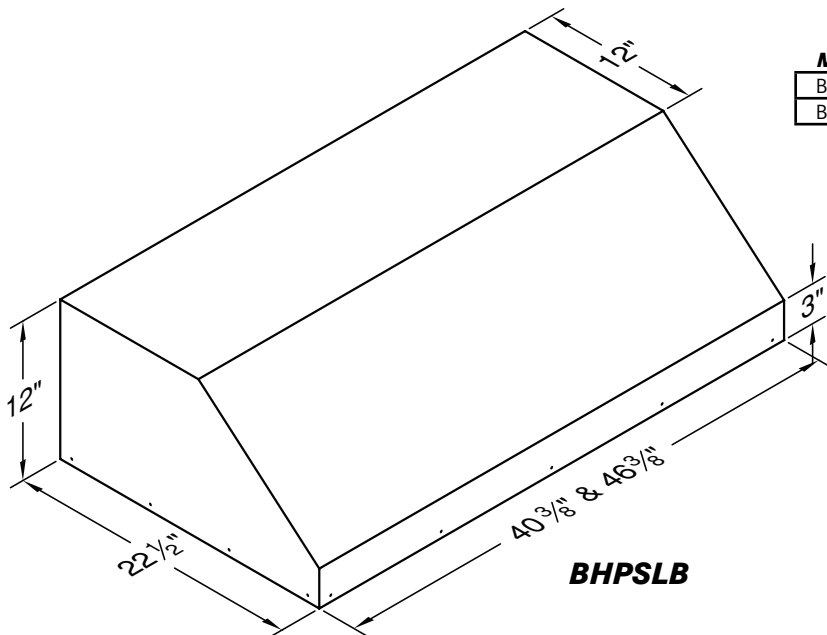
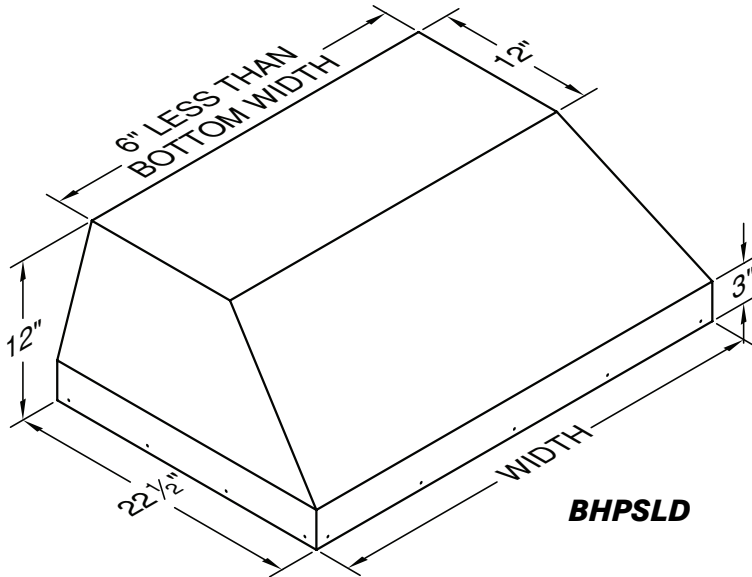
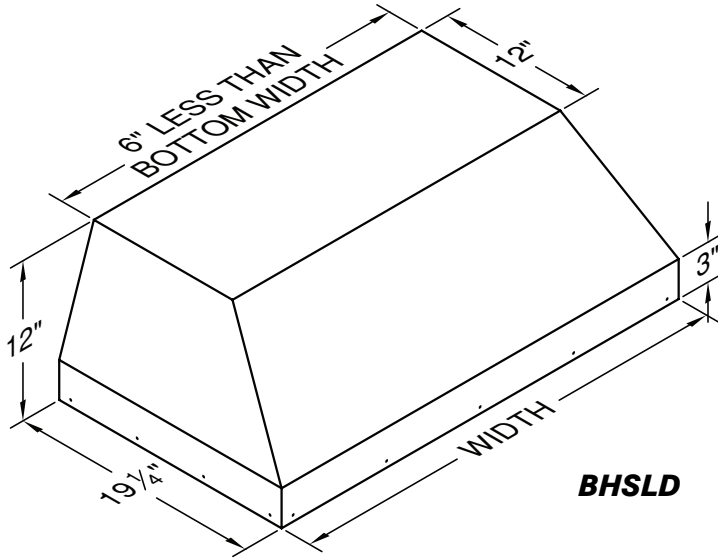
REC. MOUNTING HEIGHT FROM COOKING SURFACE:

BHSLD: 24"-27"

BHPSLD & BHPSLB: 27"-30"

900 CFM OPTIONAL TRANSITION TO 10" ROUND: VP562

1200 CFM OPTIONAL TRANSITION TO 12" ROUND: VP563



BHSLD

Model No.	CFM	Width	Painted	Stainless	# Lts
BH128SLD	300	28 3/8"	1,338	1,699	2
BH134SLD		34 3/8"	1,338	1,699	2
BH140SLD		40 3/8"	1,550	1,990	2
BH228SLD	600	28 3/8"	1,904	2,390	2
BH234SLD		34 3/8"	1,904	2,390	2
BH240SLD		40 3/8"	2,132	2,628	2
BH246SLD		46 3/8"	2,273	2,836	3
BH346SLD	900	46 3/8"	2,907	3,517	3

REMOTE BLOWER READY

SPECIAL DEPTH MODELS

BH228SLDSS-16	2639
BH228SLDSS-18	2639
BH234SLDSS-16	2639
BH234SLDSS-18	2639

BH028SLDSS	4238
BH028PSLDSS	4238
BH034PSLDSS	4238
BH034SLDSS	4238
BH040PSLDSS	4675
BH040SLDSS	4675
BH046PSLDSS	5538
BH046SLDSS	5538

BHPSLD

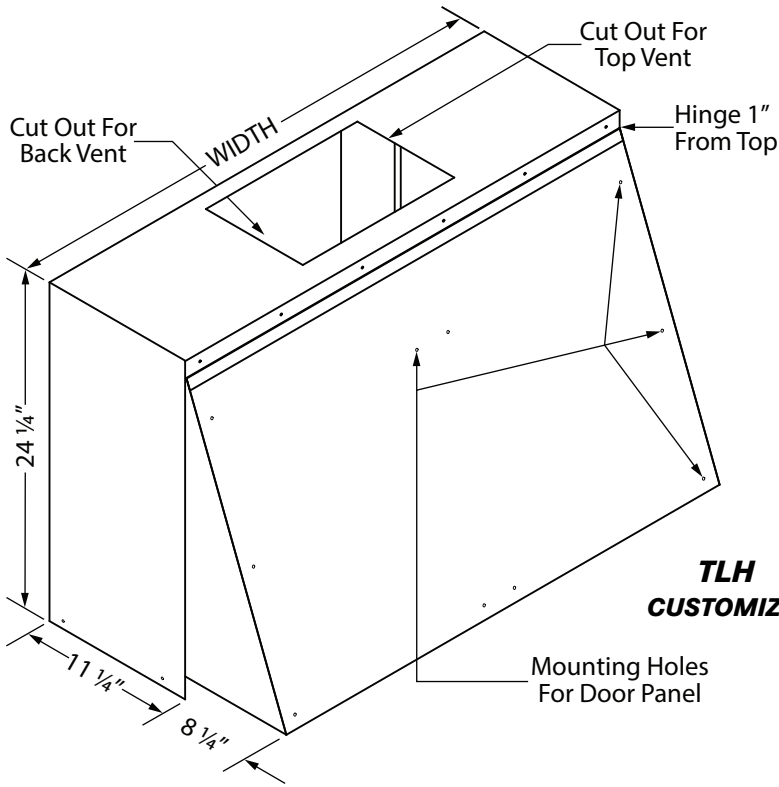
Model No.	CFM	Width	Painted	Stainless	# Lts
BH128PSLD	300	28 3/8"	1,338	1,770	2
BH134PSLD		34 3/8"	1,338	1,770	2
BH140PSLD		40 3/8"	1,550	1,990	2
BH146PSLD		46 3/8"	1,966	2,692	2
BH152PSLD	600	52 3/8"	2,462	3,390	2
BH228PSLD		28 3/8"	1,959	2,415	2
BH234PSLD		34 3/8"	1,959	2,415	2
BH240PSLD		40 3/8"	2,175	2,662	2
BH246PSLD		46 3/8"	2,404	2,893	3
BH252PSLD		52 3/8"	2,795	3,560	3
BH346PSLD	900	46 3/8"	2,952	3,572	3
BH352PSLD		52 3/8"	3,362	4,257	3
BH358PSLD		58 3/8"	3,951	4,987	4
BH452PSLD	1200	52 3/8"	3,930	4,879	3
BH458PSLD		58 3/8"	4,520	5,611	4
BH464PSLD		64 3/8"	4,771	5,943	4

BHPSLB

Model No.	CFM	Width	Painted	Stainless	# Lts
BH340PSLB	900	40 3/8"	2,947	3,565	3
BH446PSLB	1200	46 3/8"	3,625	4,367	3

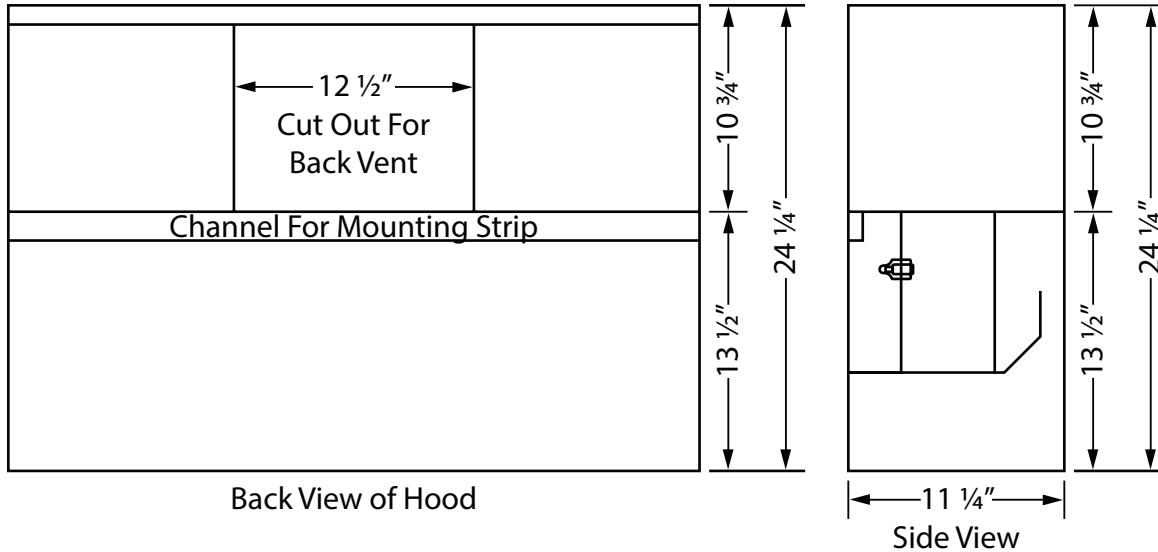
WALL MOUNT LINER INSERTS

REC. MOUNTING HEIGHT FROM COOKING SURFACE: 23 3/4"



**TLH
CUSTOMIZABLE!**

Model No.	CFM	TLH			# Lts
		Width	Painted	Stainless	
TLH-130	300	30"	2,746	3,718	2
TLH-136		36"	2,809	3,760	2
TLH-142		42"	3,028	3,999	3
TLH-148		48"	3,150	4,145	3
TLH-230	600	30"	3,345	4,373	2
TLH-236		36"	3,409	4,416	2
TLH-242		42"	3,626	4,655	3
TLH-248		48"	3,749	4,801	3



Back View of Hood

Side View

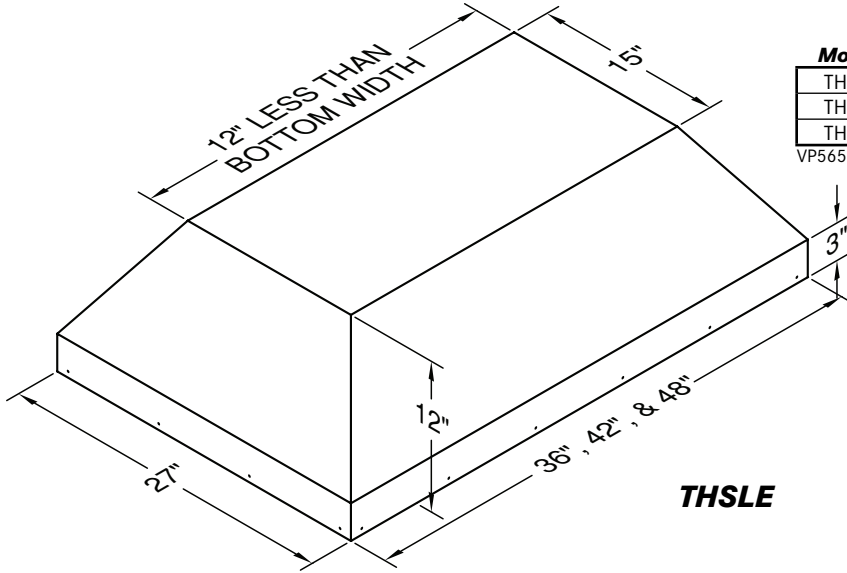
TLH WALL MOUNT HOOD VARIATIONS

SPECIAL WIDTH (LESS THAN 48") ADD	373	CUSTOM TILT OUT HEIGHT (36" MAX), WIDTH, DEPTH OR COMBO VARIATION ADD	761
HINGE AT TOP ADD	373	CUSTOM COLOR (SEE CUSTOM COLOR CHART) ADD	1165

ISLAND LINER INSERTS

REC. MOUNTING HEIGHT FROM
COOKING SURFACE: 30"

550 CFM MODELS: VP565 TRANSITION INCLUDED
1100 CFM MODELS: VP564 TRANSITION INCLUDED

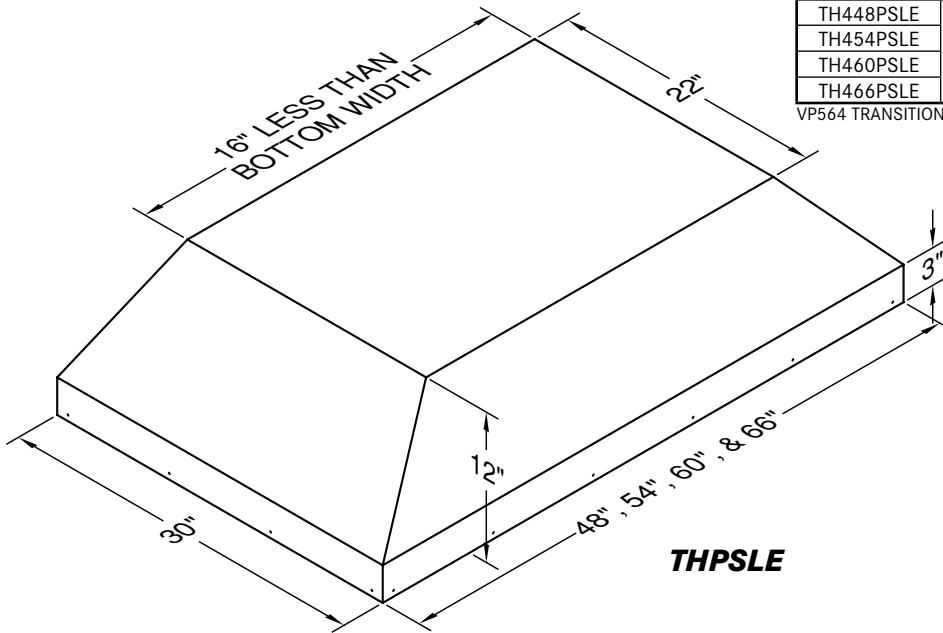


THSLE

Model No.	CFM	Width	Painted	Stainless	# Lts
TH236SLE	550	36"	3,363	4,190	4
TH242SLE		42"	3,438	4,309	4
TH248SLE		48"	3,514	4,388	4

VP565 TRANSITION TO 8" ROUND INCLUDED.

THSLE



THPSLE

Model No.	CFM	Width	Painted	Stainless	# Lts
TH448PSLE	1100	48"	5,553	7,567	4
TH454PSLE		54"	5,777	7,850	4
TH460PSLE		60"	5,904	8,120	4
TH466PSLE		66"	5,993	8,284	4

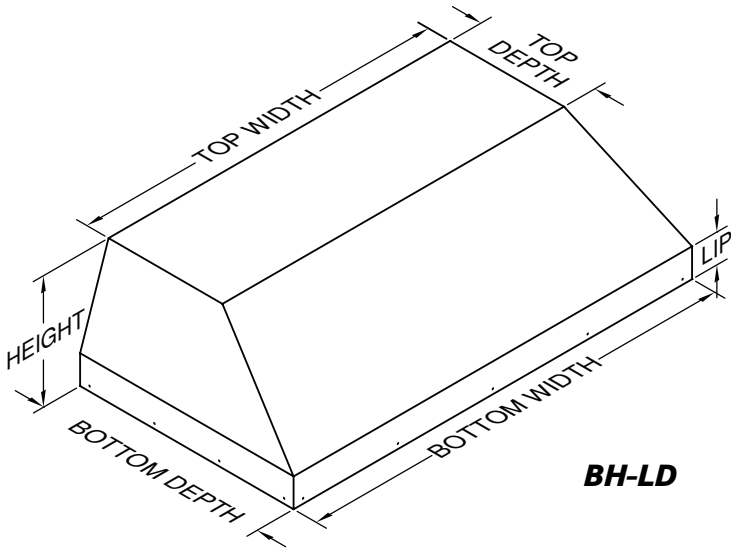
VP564 TRANSITION TO 12" ROUND INCLUDED.

THPSLE

CUSTOM WALL MOUNT LINER INSERTS

REC. MOUNTING HEIGHT FROM
COOKING SURFACE: VARIES BY SIZE

900 CFM OPTIONAL TRANSITION TO 10" ROUND: VP562
1200 CFM OPTIONAL TRANSITION TO 12" ROUND: VP563



BH-LD

MINIMUM TOP WIDTH FOR 300 SERIES IS 40-3/8".
MINIMUM TOP WIDTH FOR 400 SERIES IS 46-3/8"

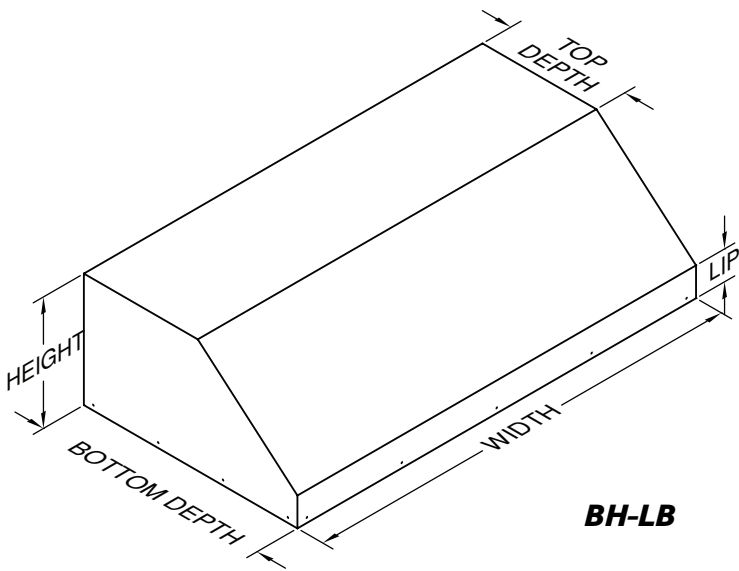
BH-LD

Model No.	CFM	Width	Painted	Stainless	# Lts
BH100LD-A	300	24"-36"	2,677	3,499	2
BH200LD-A	600	24"-36"	3,337	4,201	2
BH200LD-B		36"-48"	3,707	4,591	*
BH200LD-C		48"-54"	4,200	5,333	*
BH300LD-D	900	42"-54"	5,025	6,321	*
BH400LD-E	1200	48"-66"	6,134	7,641	*

2 LIGHTS FOR HOODS 24"<42", 3 LIGHTS FOR HOODS 42"<54", 4 LIGHTS FOR HOODS 54"≤66"

TRIM KIT INCLUDED
DIMENSIONS BELOW ARE AVAILABLE
AT NO ADDITIONAL COST.

BOTTOM DEPTH:	16" - 24"
HEIGHT:	12"
TOP DEPTH:	12"
LIP:	3"



BH-LB

BH-LB

Model No.	CFM	Width	Painted	Stainless	# Lts
BH100LB-A	300	24"-36"	2,059	2,882	2
BH200LB-A	600	24"-36"	2,720	3,564	2
BH200LB-B		36"-48"	3,089	3,974	*
BH200LB-C		48"-54"	3,582	4,695	*
BH300LB-D	900	42"-54"	4,409	5,682	*
BH400LB-E	1200	48"-66"	5,517	7,023	*

2 LIGHTS FOR HOODS 24"<42", 3 LIGHTS FOR HOODS 42"<54", 4 LIGHTS FOR HOODS 54"≤66"

TRIM KIT INCLUDED
DIMENSIONS BELOW ARE AVAILABLE
AT NO ADDITIONAL COST.

BOTTOM DEPTH:	16" - 24"
HEIGHT:	12"
TOP DEPTH:	12"
LIP:	3"

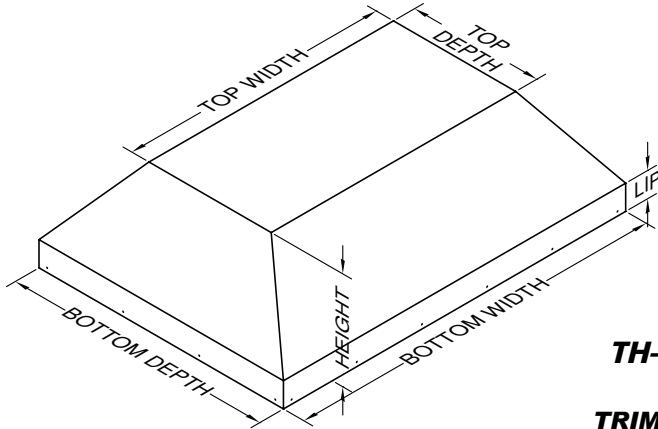
CUSTOM WALL MOUNT LINER INSERT VARIATIONS

WIDTHS OVER 66"			LIP (OTHER THAN 3" STANDARD)	
	PAINTED	STAINLESS	ADD	639
FOR EACH 6" INCREMENT PLUS	289	414	SPECIAL TOP DEPTH (12" MINIMUM)	
		373	ADD	639
SPECIAL HEIGHT (OTHER THAN 12" STANDARD)			ADDITIONAL BLOWERS & LIGHTS	
9" MINIMUM, 18" MAXIMUM			SEE PAGE 50 FOR BLOWER OPTIONS	
ADD		639	REMOTE BLOWER OPTIONS	
DEPTH OVER 24"			SEE PAGES 50-51 FOR REMOTE BLOWER OPTIONS	
	PAINTED	STAINLESS	CUSTOM COLOR (SEE CUSTOM COLOR CHART)	
WIDTH X EXTRA DEPTH X PLUS	1.85	2.71	ADD	1165
		639	WARMING LAMPS AND SHELVES	
			SEE PAGES 53 FOR WARMING LAMP AND SHELF OPTIONS	

CUSTOM ISLAND LINER INSERTS

REC. MOUNTING HEIGHT FROM COOKING SURFACE: VARIES BY SIZE

VP565 TRANSITION INCLUDED WITH EACH DUAL BLOWER
VP564 TRANSITION INCLUDED WITH EACH CLUSTER BLOWER



TH-LE

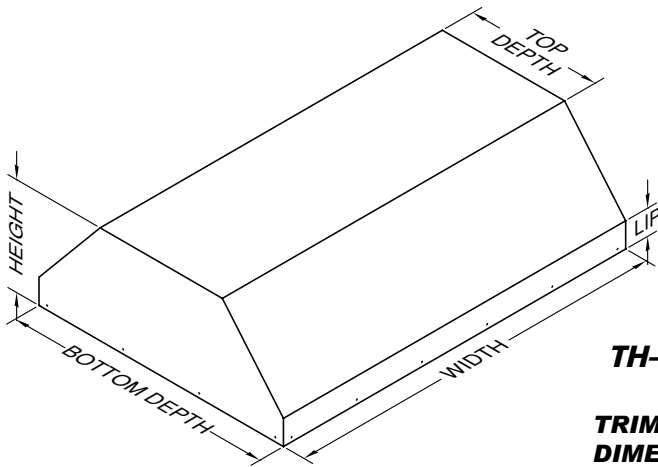
MODEL NO.	CFM	Width	Painted	Stainless	# Lts
TH200LE-A	550	24"-36"	4,739	6,056	4
TH200LE-B		36"-48"	5,027	6,426	4
TH200LE-C		48"-54"	5,416	6,940	4
TH2+200LE-E	1100	48"-66"	7,795	9,924	*

EACH DUAL BLOWER REQUIRES 24" MINIMUM TOP WIDTH.
• VP565 TRANSITION TO 8" ROUND INCLUDED WITH EACH DUAL BLOWER.
4 LIGHTS FOR HOODS 48"<60", 8 LIGHTS FOR HOODS 60"≤66"
A CLUSTER BLOWER (1100 CFM) IS AVAILABLE ON MODELS WITH A MINIMUM TOP SIZE OF 24" WIDE X 24" DEEP. CONTACT THE FACTORY FOR ADDITIONAL DETAILS.

TH-LE

TRIM KIT INCLUDED
DIMENSIONS BELOW ARE AVAILABLE AT NO ADDITIONAL COST.

BOTTOM DEPTH:	27"
HEIGHT:	12"
TOP WIDTH:	12" LESS THAN BOTTOM WIDTH
TOP DEPTH:	12" LESS THAN BOTTOM DEPTH
LIP:	3"



TH-LC

MODEL NO.	CFM	Width	Painted	Stainless	# Lts
TH200LC-A	550	24"-36"	4,739	6,056	4
TH200LC-B		36"-48"	5,027	6,426	4
TH200LC-C		48"-54"	5,416	6,940	4
TH2+200LC-E	1100	48"-66"	7,795	9,924	*

EACH DUAL BLOWER REQUIRES 24" MINIMUM TOP WIDTH.
• VP565 TRANSITION TO 8" ROUND INCLUDED WITH EACH DUAL BLOWER.
4 LIGHTS FOR HOODS 48"<60", 8 LIGHTS FOR HOODS 60"≤66"
A CLUSTER BLOWER (1100 CFM) IS AVAILABLE ON MODELS WITH A MINIMUM TOP SIZE OF 24" WIDE X 24" DEEP. CONTACT THE FACTORY FOR ADDITIONAL DETAILS.

TH-LC

TRIM KIT INCLUDED
DIMENSIONS BELOW ARE AVAILABLE AT NO ADDITIONAL COST.

BOTTOM DEPTH:	27"
HEIGHT:	12"
TOP DEPTH:	12" LESS THAN BOTTOM DEPTH
LIP:	3"

CUSTOM ISLAND LINER INSERT VARIATIONS

WIDTHS OVER 66"			SPECIAL HEIGHT (OTHER THAN 12" STANDARD)	
FOR EACH 6" INCREMENT PLUS	PAINTED 329	STAINLESS 433	9" MINIMUM, 18" MAXIMUM ADD	639
DEPTH OVER 27"			SPECIAL TOP WIDTH OR DEPTH	
WIDTH X EXTRA DEPTH X PLUS	PAINTED 2.04	STAINLESS 3.33	ADD	639
LIP (OTHER THAN 3" STANDARD)			REMOTE BLOWER OPTIONS	
ADD	639		SEE PAGES 50-51 FOR REMOTE BLOWER OPTIONS	
			CUSTOM COLOR (SEE CUSTOM COLOR CHART)	
			ADD	1165

BLOWER OPTIONS

You may need to add a blower to hoods to increase CFM, depending on the cooking equipment being used. To add a blower to a hood, you need to have enough top space inside of the hood to do so. A Single Blower requires 16" of space, a Dual Blower requires 24" of space, an Island Dual Blower requires 12" D x 23 1/2" W, and an Island Cluster Blower requires 24" D x 24" W.

ADDING BLOWERS

Model	Volts	Amps	Hz	RPM	*CFM	**Equiv CFM	Painted	Stainless Steel
Single Blower	120	1.5	60	1550	300	450	637	787
Dual Blower	120	2.9	60	1550	600	900	1,237	1,442
Island Dual Blower	120	2.9	60	1550	550	900	1,273	1,629
Island Cluster Blower	120	5.8	60	1550	1100	1800	2,546	3,258
RM1000	120	3.2	60	1100	945	N/A	1,864	
RM1500	120	5.0	60	1130	1500	N/A	2,342	

SensaSource® - Our patented speed control system that allows the blower to be turned to half speed for light cooking but automatically returns to high speed when heat rise is detected. This feature is standard on all Magic Lung® and K Series models with halogen lighting.

SensaSource®

Convert two-speed blower to auto-on SensaSource® control (one for each single or dual blower) 166 ea.

- * CFM rating is based on 0.0" static pressure (resistance in the ducting turns, roof caps, etc.) CFM rating will change as static pressure is increased. Static pressure increases due to ducting and length of duct run.
- ** Equivalent CFM refers to the fact that the Magic Lung® uses centrifugal filtration units, while others use conventional filters. Apply this guideline when comparing blower units made by other manufacturers.

There are certain customers who will want a remote blower range hood despite the benefits of the Magic Lung blower system. The following steps will help you when pricing remote blower hoods.

1. Specify how many and which filters you will be using. B20 SS filters are for wall mount or under cabinet installations and T20 SS filters are for island installations. We recommend one B20 SS or T20 SS for each 22" of hood top width.
2. Specify the size and number of remote blowers you will need. The RM1000 is equivalent to a B200 or T200 blower. The RM1500 is 50% larger.
3. For each remote blower, you will need to add an accessory kit. The accessory kit includes a variable speed blower controller, LED lights, back draft dampers, and a 10" duct collar.

DEDUCTING BLOWERS FOR REMOTE BLOWER MODELS

BLOWER PRICING BELOW IS FOR USE IN CALCULATING DEDUCTIONS FOR REMOTE BLOWERS ONLY.		
MODEL	PAINTED	STAINLESS
B100 (SINGLE BLOWER)	637	787
B200 (DUAL BLOWER)	1,237	1,442
T200 (ISLAND DUAL BLOWER)	1,273	1,629
T400 (ISLAND CLUSTER BLOWER)	2,546	3,258
SPECIAL COLLAR	387	

REMOTE BLOWERS

HOOD SELECTION/PRICING WITH REMOTE BLOWERS

1. CHOOSE THE BASE MODEL HOOD THAT IS TO BE EQUIPPED WITH A REMOTE BLOWER.
2. DEDUCT THE PRICE OF THE INTERNAL BLOWER(S) FROM THE HOOD (SEE PREVIOUS PAGE).
3. ADD THE APPROPRIATE ACCESSORY KIT (SEE RIGHT).
4. ADD THE APPROPRIATE FILTERS (SEE BELOW).
5. ADD THE APPROPRIATE REMOTE BLOWER UNIT(S) (SEE BELOW).

LIGHT KITS

INCLUDES LED LIGHTS, TWO-STAGE LIGHT SWITCH, SOLID STATE MOTOR CONTROL SWITCH (VARIABLE SPEED) AND 10" DAMPER ASSEMBLY INSTALLED IN HOOD.

ACC.KIT-W-H2 (2 LED LIGHTS/WALL MT)	906
ACC.KIT-W-H3 (3 LED LIGHTS/WALL MT)	1,149
ACC.KIT-W-H4 (4 LED LIGHTS/WALL MT)	1,392
ACC.KIT-I-H4 (4 LED LIGHTS/ISLAND)	1,889
ACC.KIT-I-H8 (8 LED LIGHTS/ISLAND)	2,835

ACCESSORY KIT PARTS

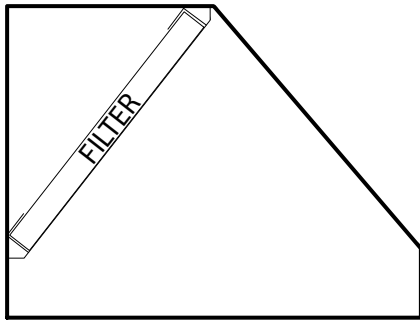
SOLID STATE (VARIABLE SPEED) MOTOR
CONTROL WALL SWITCH (P1500W) 140

ACCESSORY KIT PARTS

WHEN ORDERED WITH HOOD

TO ADD MOTOR CONTROL WALL SWITCH ASSEMBLY
ADD (P1500R) 35

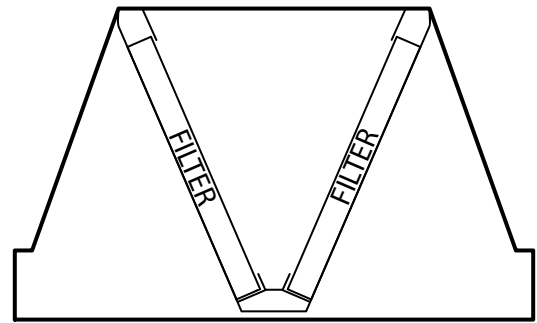
WALL MOUNT BAFFLE FILTER



WALL MOUNT SIDE VIEW

B20 SS (PER FILTER) 620
(SPECIFY ONE B20 SS FOR EACH 22" OF HOOD TOP WIDTH)

ISLAND BAFFLE FILTER

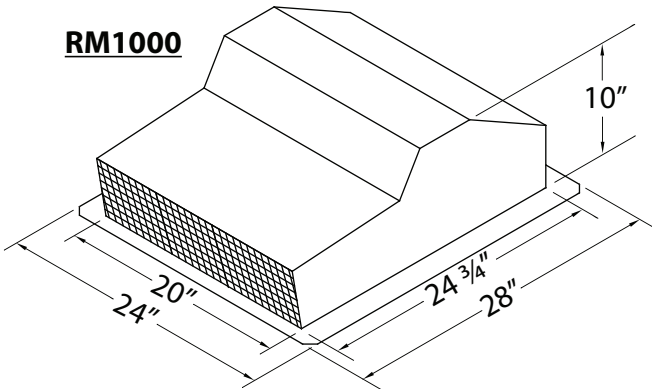


ISLAND SIDE VIEW

T20 SS (PER PAIR OF FILTERS) 1,280
(SPECIFY ONE PAIR OF T20 SS FOR EACH 22" OF HOOD TOP WIDTH)

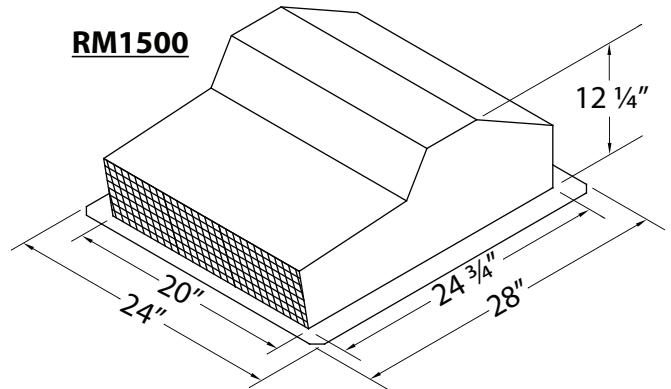
REMOTE BLOWERS

RM1000



RM1000 REMOTE BLOWER 1,864

RM1500

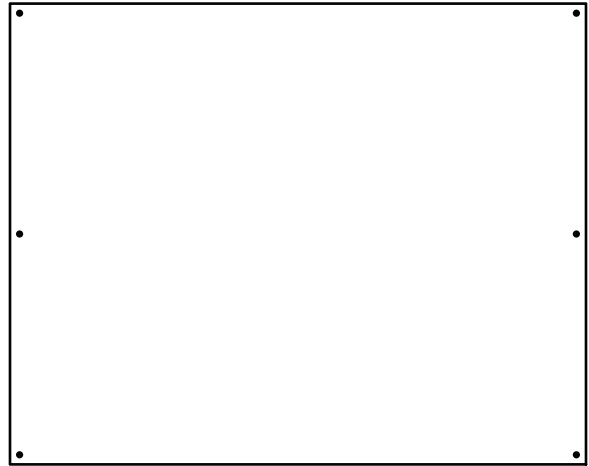


RM1500 REMOTE BLOWER 2,342

SPLASH PANELS

STANDARD SPLASH PANELS

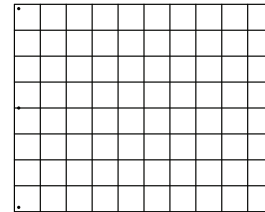
Panel Size	Painted	Stainless	Overlay
30" W x 24" T	96	157	373
36" W x 24" T	113	186	446
42" W x 24" T	135	219	516
48" W x 24" T	146	250	598
30" W x 30" T	113	197	466
36" W x 30" T	135	239	558
42" W x 30" T	166	269	651
48" W x 30" T	186	309	743
SPECIAL SIZES (SPECIFY IF HEMS/HOLES REQUIRED)			
PER SQ INCH	0.22	0.35	0.49



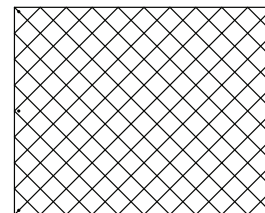
HEMS AND HOLES ARE INCLUDED ON STANDARD SIZES, PRICE AS A CUSTOM PANEL IF HEMS AND/OR HOLES ARE NOT REQUIRED.

OVERLAY & PATTERNED SPLASH PANELS

Panel Size	Painted	Stainless	Overlay
30" W x 24" T Pat.	193	239	398
36" W x 24" T Pat.	206	261	452
42" W x 24" T Pat.	224	284	504
48" W x 24" T Pat.	317	421	769
30" W x 30" T Pat.	206	269	467
36" W x 30" T Pat.	224	299	536
42" W x 30" T Pat.	244	322	604
48" W x 30" T Pat.	260	351	672
SPECIAL SIZES (SPECIFY IF HEMS/HOLES REQUIRED)			
PER SQ INCH	0.22	0.35	0.49
PLUS		171	



CHECKERBOARD



DIAMOND

HEMS AND HOLES ARE INCLUDED ON STANDARD SIZES, PRICE AS A CUSTOM PANEL IF HEMS AND/OR HOLES ARE NOT REQUIRED.

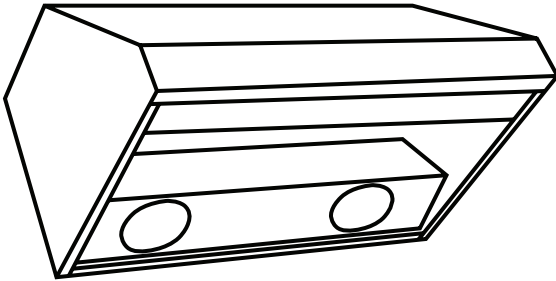
OTHER SPLASH PANEL OPTIONS

Ordering Notes and Options:

PAINTED SPLASH PANELS MUST HAVE AT LEAST ONE HOLE IN THEM TO ALLOW FOR PAINTING.	
FOR CUT-OUTS OR SPECIAL BREAKS, ADD	43
CRATING CHARGE FOR PANELS TOO LARGE TO PACKAGE WITH HOOD, ADD	74
MINIMUM CHARGE ON SMALL PANELS	43

WARMING LAMPS & SHELVES

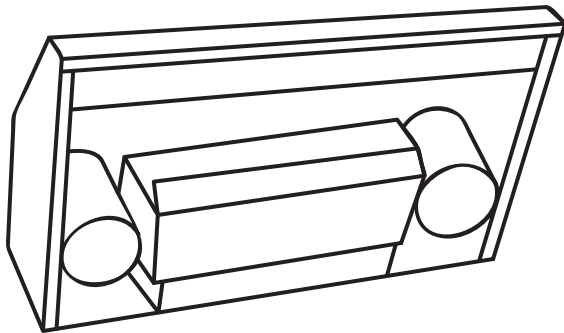
WARMING BAR



FOR USE IN HOODS 18" OR TALLER.
NOT AVAILABLE ON HOODS WITH DECKS BELOW 18".
BULBS NOT INCLUDED.

Model No.	Price
WBAR INCLUDES 2 LIGHTS	660
FOR ADDITIONAL LIGHTS, ADD	660
PLUS, PER LIGHT	397

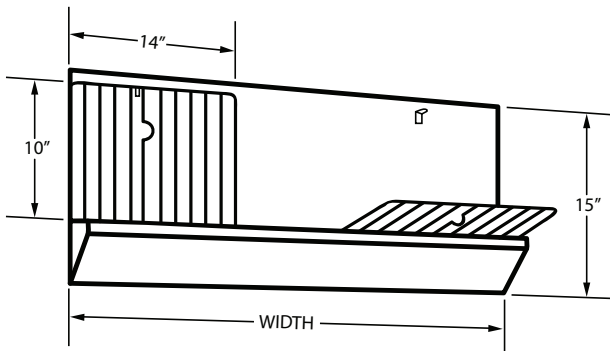
WARMING LAMP HOUSING



FOR USE IN HOODS UNDER 18" TALL.
8" TOP DIMENSION REQUIRED PER FIXTURE.
BULBS NOT INCLUDED.

Model No.	Price Per Light
WL-1	397

WARMING SHELF



TWO FOLD DOWN SHELVES ON A BACKSPLASH.
MOUNTED ON A 3 1/2" DEEP LEDGE.
EACH SHELF IS 10" DEEP x 14" WIDE.
STAINLESS BACKSPLASH IS 15" TALL.

Model No.	Width	Price
WS030	30"	763
WS036	36"	834
WS042	42"	896
WS048	48"	981
WS054	54"	1042
WS060	60"	1112
WS066	66"	1177
WS072	72"	1256

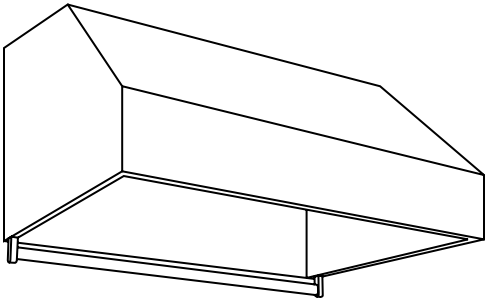
Model No.	Description	Price
P1415	Additional Shelf	383

WS0 With Non-Standard Width	Price
USE NEXT LARGEST SIZE ON PRICE LIST PLUS	397

ACCESSORY RAIL

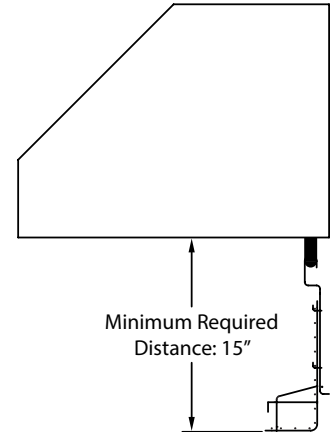
MODEL WR0

WR0 kit installed on hood includes mounting hardware, accessory rail, two hanger brackets, and two warming shelves with spice racks.



Model No.	Width	Price
WR030	30"	740
WR036	36"	749
WR042	42"	749
WR048	48"	778
WR054	54"	778
WR060	60"	778
WR066	66"	910
WR072	72"	937
UP TO 120"		937

SPECIAL WIDTH: USE NEXT LARGEST SIZE.



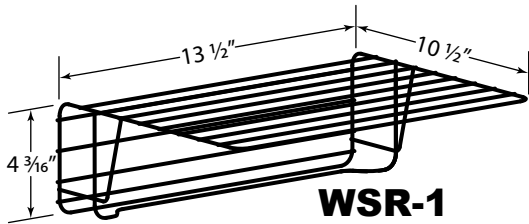
MODEL WR0L

For use with liner inserts. Specify exact width between cabinets. Use next largest size price for WR0 listed to the right. Kit includes mounting end caps, accessory rail, two hanger brackets, and two warming shelves with spice racks.

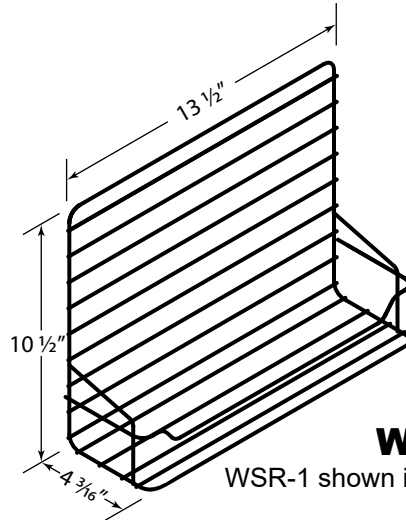
Hood must be at least 30" wide to allow sufficient space for two hanging brackets.

The minimum for hoods with the SL lip is 32" due to the decorative features of the SL lip.

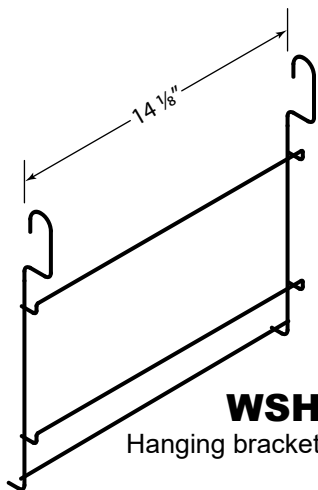
ADDITIONAL SHELVES/SPICE RACKS



WSR-1 shown in warming shelf position.



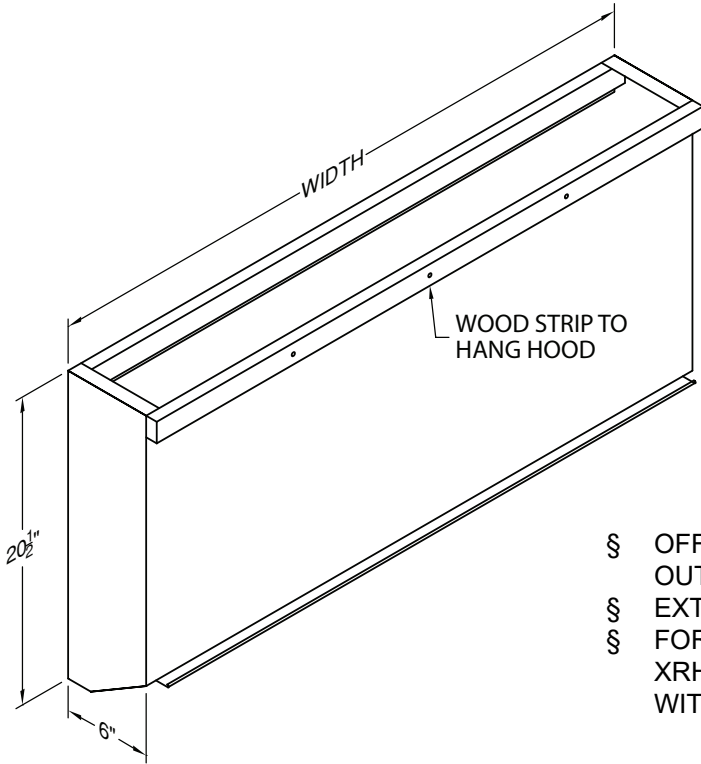
WSR-1 shown in spice rack position.



WSH-1
Hanging bracket for WSR-1.

Model No.	Description	Price
WSR-1	Warming Shelf/Rack	169
WSH-1	Hanging Bracket	95
WR0-EC	End Cap (2 Req.)	43

BBQ EXTENSION



Model No.	Width	Painted	Stainless
BBE30	30"	726	1017
BBE36	36"	759	1187
BBE42	42"	780	1301
BBE48	48"	813	1388
BBE54	54"	845	1494
BBE60	60"	878	1593

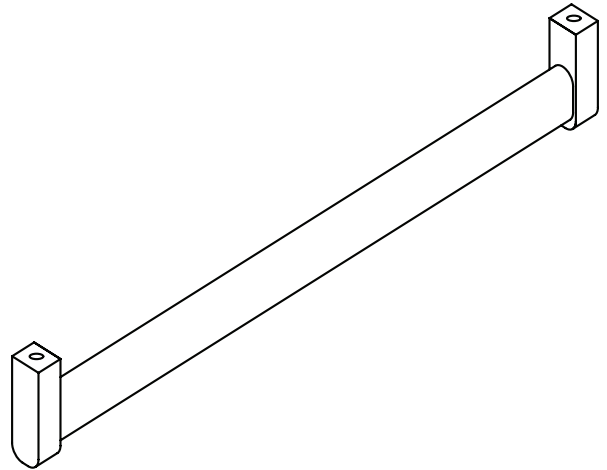
PRODUCT FEATURES

- § OFFERS MAXIMUM CANOPY EXPOSURE OVER OUTDOOR GRILL APPLICATIONS
- § EXTENDS PROJECTION TO 30" OR 33" DEEP
- § FOR USE WITH PRH18, PRXH18, NPH18, NPXH18, XRH18, OR XRXH18 MODELS WHEN NOT EQUIPPED WITH A WARMING BAR.

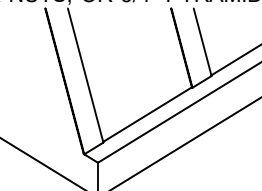
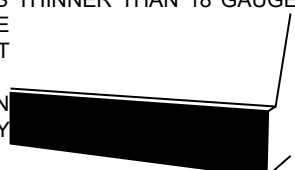
WR ACCESSORY RAIL

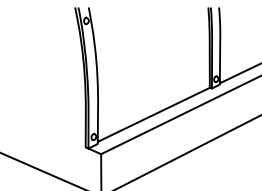
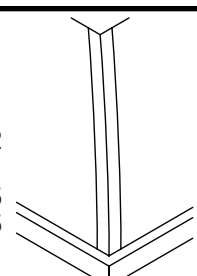
FOR USE WITH BBQ EXTENSION KIT.
AVAILABLE IS SS FINISH ONLY.

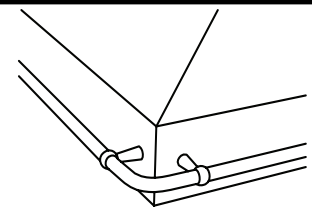
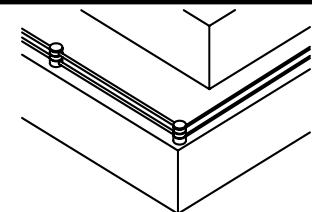
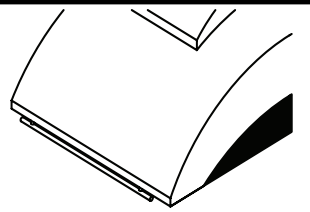
Model No.	Price
WR-30	197
WR-36	219
WR-42	219
WR-48	228
WR-54	228
WR-60	228



BANDS, FINISHES, & POT RAILS

VERTICAL BANDS	LIP TREATMENT (L/T)
<p style="text-align: right;">18 GAUGE*</p> <p>1/2" WIDE: EACH BAND (UP TO 30") 319 1" WIDE: EACH BAND (UP TO 30") 319 2" WIDE: EACH BAND (UP TO 30") 319</p> <p>TALLER THAN 30", PER INCH PER BAND, ADD 10.54</p> <p>* 18 GAUGE VERTICAL BANDS ARE ATTACHED WITH LAMINATE. 18 GAUGE VERTICAL BANDS CAN BE ATTACHED WITH 1/4" RIVETS, 1/2" RIVETS, 3/8" HEX NUTS, 1/2" HEX NUTS, OR 3/4" PYRAMID CLAVOS BY REQUEST. HAMMERED COPPER MATERIAL IS THINNER THAN 18 GAUGE MATERIAL. ATTACHMENTS ARE REQUIRED FOR HAMMERED COPPER BANDS AND FOR BANDS ON HAMMERED COPPER HOODS.</p> 	<p>18 GAUGE, PER INCH, ADD 10.54 1/8" THICK x 1" TALL SOLID BRASS, SOLID COPPER, OR BRUSHED SS PER INCH, ADD 11.61* 1/4" THICK x 1" TALL SOLID BRASS, SOLID COPPER, OR BRUSHED SS PER INCH, ADD 12.66*</p> <p>* 18 GAUGE L/T IS ATTACHED WITH LAMINATE. 18 GAUGE L/T CAN BE ATTACHED WITH 1/4" RIVETS, 1/2" RIVETS, 3/8" HEX NUTS, 1/2" HEX NUTS, OR 3/4" PYRAMID CLAVOS BY REQUEST. HAMMERED COPPER MATERIAL IS THINNER THAN 18 GAUGE MATERIAL. ATTACHMENTS ARE REQUIRED FOR LIP TREATMENT ON HAMMERED COPPER HOODS. ** ATTACHED WITH 1/2" RIVETS. CAN BE ATTACHED WITH LAMINATE BY REQUEST.</p> 

HEAVY VERTICAL BANDS	CORNER BANDS
<p>SOLID BRASS, SOLID COPPER, OR BRUSHED SS</p> <p>1/8" THICK x 1" WIDE, EACH (UP TO 30") 347 TALLER THAN 30" PER INCH PER BAND, ADD 11.61 1/4" THICK x 1" WIDE, EACH (UP TO 30") 379 TALLER THAN 30", PER INCH PER BAND, ADD 12.66</p> <p>1/8" THICK AND 1/4" THICK HEAVY VERTICAL BANDS ARE ATTACHED WITH 1/2" RIVETS. CAN BE ATTACHED WITH LAMINATE BY REQUEST.</p> 	<p style="text-align: center;">CORNER BANDS</p> <p><u>CORNER BANDS FOR STRAIGHT EDGES*</u></p> <p>1" x 1", EACH (UP TO 30") 563 2" x 2", EACH (UP TO 30") 563 TALLER THAN 30", PER INCH PER BAND, ADD 18.72</p> <p><u>CORNER BANDS FOR CONVEX/CONCAVE EDGES*</u></p> <p>1" x 1", EACH (UP TO 30") 1,125 2" x 2", EACH (UP TO 30") 1,125 TALLER THAN 30", PER INCH PER BAND, ADD 37.44</p> <p>* ATTACHED WITH LAMINATE. CAN BE ATTACHED WITH 1/4" RIVETS, 1/2" RIVETS, 3/8" HEX NUTS, 1/2" HEX NUTS, OR 3/4" PYRAMID CLAVOS BY REQUEST. +1" x 1" ATTACHED WITH 1/4" RIVETS. 2" x 2" ATTACHED WITH 1/2" RIVETS. CAN BE ATTACHED WITH 3/8" HEX NUTS, 1/2" HEX NUTS, OR 3/4" PYRAMID CLAVOS BY REQUEST. AVAILABLE IN PAINTED FINISHES OR STAINLESS STEEL ONLY. ALL CORNER BANDS ARE 18 GAUGE.</p> 

POT RAIL	GALLEY RAIL	FIXED RAIL								
 <p style="text-align: center;">TUBULAR (5/8" DIAMETER)</p>	 <p style="text-align: center;">GALLEY RAIL</p>	 <p style="text-align: center;">FIXED LENGTH SS RAIL (EACH)</p>								
<p>BRASS, CHROME, OR COPPER: PER INCH* 16.85 ADDITIONAL HOOKS AVAILABLE IN SS, COPPER, OR BRASS</p> <p>P011: EACH 14.97</p> <p>* For pot rail that is less than the overall width or depth of the hood, charge for full width or depth. Examples- A 24" deep hood with 3" of pot rail on a side is priced as 24" of pot rail. A 48" wide hood with 36" of pot rail on the front is priced as 48" of pot rail.</p>	<p>STAINLESS STEEL: PER INCH 12.66</p>	<table style="width: 100%; border-collapse: collapse;"> <tr> <td>PR21 SS (19.53")</td> <td style="text-align: right;">189</td> </tr> <tr> <td>PR24 SS (22.05")</td> <td style="text-align: right;">217</td> </tr> <tr> <td>PR27 SS (24.57")</td> <td style="text-align: right;">235</td> </tr> <tr> <td>PR30 SS (28.35")</td> <td style="text-align: right;">284</td> </tr> </table>	PR21 SS (19.53")	189	PR24 SS (22.05")	217	PR27 SS (24.57")	235	PR30 SS (28.35")	284
PR21 SS (19.53")	189									
PR24 SS (22.05")	217									
PR27 SS (24.57")	235									
PR30 SS (28.35")	284									

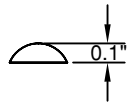
COLORS	STANDARD	SPECIAL	CUSTOM	ANTIQUÉ, SATIN, BRUSHED	ANTIQUÉ, BRUSHED, SATIN TRIM
	Biscuit (BT) Black Carbide (BC) Black Satin (BL) Gunsmoke (GS) White (WH)	Black River (BR) Copper Vein (CV) Oil Rubbed Bronze (ORB) Pewter (PTR) Rust (RT) Silver Vein (SV) Slate (SL)	RAL Paint Colors A custom color chart is available for custom colors.	Can be applied to: Brass/Copper Overlays ARTISAN Can be applied to: Stainless Steel Charge for <i>each</i> hood or duct cover.	Brass Bands & L/T Copper Bands & L/T ARTISAN TRIM SS Bands & L/T Charge once for all trim on a hood and duct cover assembly.
Color Charges: ADD	NO CHARGE	437	1,165	1,584	437

BAND & LIP TREATMENT ATTACHMENTS

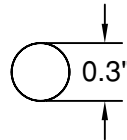
1/4" RIVETS



3D View



Side View



Top View

1/4" RIVETS ARE STANDARD ON 1" x 1" CONVEX/ CONCAVE CORNER BANDS.

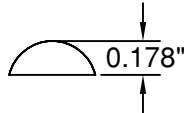
1/4" RIVETS ARE OPTIONAL ON 18 GA. LIP TREATMENT, 18 GA. VERTICAL BANDS, AND STRAIGHT CORNER BANDS. ADDITIONAL CHARGES MAY APPLY.

1/4" RIVETS ARE AVAILABLE IN ALL BAND FINISHES (PAINTED TO MATCH).

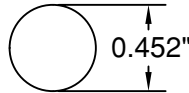
1/2" RIVETS



3D View



Side View



Top View

1/2" RIVETS ARE STANDARD ON 2" x 2" CONVEX/ CONCAVE CORNER BANDS AND ON HEAVY VERTICAL BANDS AND LIP TREATMENT.

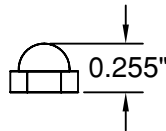
1/2" RIVETS ARE OPTIONAL ON 18 GA. LIP TREATMENT, 18 GA. VERTICAL BANDS, AND STRAIGHT CORNER BANDS. ADDITIONAL CHARGES MAY APPLY.

1/2" RIVETS ARE AVAILABLE IN ALL BAND FINISHES (PAINTED TO MATCH).

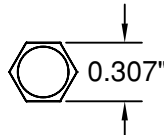
3/8" HEX NUTS



3D View



Side View

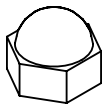


Top View

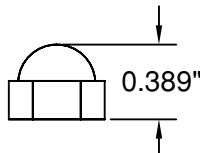
3/8" HEX NUTS ARE OPTIONAL ON 18 GA. LIP TREATMENT, 18 GA. VERTICAL BANDS, AND CORNER BANDS. ADDITIONAL CHARGES MAY APPLY.

3/8" HEX NUTS ARE AVAILABLE IN ALL BAND FINISHES (BRASS, STAINLESS STEEL, OR PAINTED TO MATCH).

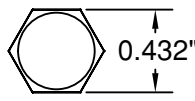
1/2" HEX NUTS



3D View



Side View

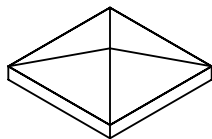


Top View

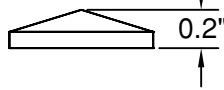
1/2" HEX NUTS ARE OPTIONAL ON 18 GA. LIP TREATMENT, 18 GA. VERTICAL BANDS, AND CORNER BANDS. ADDITIONAL CHARGES MAY APPLY.

1/2" HEX NUTS ARE AVAILABLE IN ALL BAND FINISHES (BRASS, STAINLESS STEEL, OR PAINTED TO MATCH).

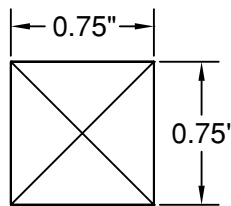
3/4" PYRAMID CLAVOS



3D View



Side View



Top View

3/4" PYRAMID CLAVOS ARE OPTIONAL ON 18 GA. LIP TREATMENT, 18 GA. VERTICAL BANDS, AND CORNER BANDS. ADDITIONAL CHARGES MAY APPLY.

3/4" PYRAMID CLAVOS ARE AVAILABLE IN COPPER AND STAINLESS STEEL FINISHES.

3/4" PYRAMID CLAVOS CAN BE ROTATED 45 DEGREES FOR A MORE DECORATIVE APPEARANCE. NOTE: 3/4" PYRAMID CLAVOS ARE OVER 1" WIDE WHEN TURNED TO A 45 DEGREE "DIAMOND" ANGLE.

NOTE: SECTION TITLES ARE ROUNDED FOR CONVENIENCE PURPOSES AND DO NOT REPRESENT EXACT SIZES.

STANDARD BAND & LIP TREATMENT ATTACHMENT METHODS

BAND/LIP TREATMENT	STANDARD ATTACHMENT	ADDITIONAL ATTACHMENT OPTIONS
18 Ga. Vertical Band/Lip Treatment	Laminate	1/4" Rivets, 1/2 Rivets, 3/8" Hex Nuts, 1/2" Hex Nuts, and 3/4" Pyramid Clavos
1/8" x 1" Vertical Band/Lip Treatment	1/2" Rivets	Laminate
1/4" x 1" Vertical Band/Lip Treatment	1/2" Rivets	Laminate
Straight Corner Band	Laminate	1/4" Rivets, 1/2" Rivets, 3/8" Hex Nuts, 1/2" Hex Nuts, and 3/4" Pyramid Clavos
Convex or Concave Corner Band	1" x 1" - 1/4" Rivets, 2" x 2" - 1/2" Rivets	1/2" Rivets, 3/8" Hex Nuts, 1/2" Hex Nuts, and 3/4" Pyramid Clavos

Decorative attachments will be placed by the factory for best appearance. To specify locations, add per inch

DESIGNER SERIES HOOD TRIMS



MODEL: JPH/C2AS (WITH "AS SHOWN" TRIM)

Model #	CFM	Width	MSRP
JPH136/C2AS	300	36"	\$5,817
JPH142/C2AS		42"	\$6,291
JPH148/C2AS		48"	\$6,625
JPH236/C2AS	600	36"	\$6,396
JPH242/C2AS		42"	\$6,873
JPH248/C2AS		48"	\$7,203
JPH348/C2AS	900	48"	\$7,821
JPH354/C2AS		54"	\$8,912
JPH360/C2AS		60"	\$9,353
JPH454/C2AS	1200	54"	\$9,492
JPH460/C2AS		60"	\$9,932
JPH466/C2AS		66"	\$10,437

SPECIFY ATTACHMENT METHOD AND FINISH.
 PRICING FOR TRIMS LISTED ABOVE APPLY TO THE BOTTOM LIP ONLY.
 SEE PAGE 56 FOR ALL AVAILABLE FINISH AND ATTACHMENT OPTIONS.



MODEL: JPH/C1AS (WITH "AS SHOWN" TRIM)

Model #	CFM	Width	MSRP
JPH136/C1AS	300	36"	\$6,703
JPH142/C1AS		42"	\$7,239
JPH148/C1AS		48"	\$7,637
JPH236/C1AS	600	36"	\$7,282
JPH242/C1AS		42"	\$7,821
JPH248/C1AS		48"	\$8,215
JPH348/C1AS	900	48"	\$8,833
JPH354/C1AS		54"	\$9,987
JPH360/C1AS		60"	\$10,492
JPH454/C1AS	1200	54"	\$10,567
JPH460/C1AS		60"	\$11,071
JPH466/C1AS		66"	\$11,638

PRICING FOR TRIMS LISTED ABOVE APPLY TO THE BOTTOM LIP ONLY.
 SEE PAGE 56 FOR ALL AVAILABLE FINISH AND ATTACHMENT OPTIONS.



MODEL: JDH/C1AS (WITH "AS SHOWN" TRIM)

Model	CFM	Width	MSRP
JDH136/C1AS	300	36"	\$12,741
JDH142/C1AS		42"	\$13,664
JDH148/C1AS		48"	\$14,402
JDH236/C1AS	600	36"	\$13,323
JDH242/C1AS		42"	\$14,245
JDH248/C1AS		48"	\$14,981
JDH348/C1AS	900*	48"	\$15,596
JDH354/C1AS		54"	\$17,444
JDH360/C1AS		60"	\$18,432
JDH454/C1AS	1200+	54"	\$18,024
JDH460/C1AS		60"	\$19,012
JDH466/C1AS		66"	\$20,020

** Contact Dealer Rep for Duct Cover Information **

SPECIFY ATTACHMENT METHOD, PLACEMENT, AND FINISH.
 SEE PAGE 56 FOR ALL AVAILABLE FINISH AND ATTACHMENT OPTIONS.

DESIGNER SERIES HOOD TRIMS



MODEL: JCH/C1AS (WITH "AS SHOWN" TRIM)

Model	CFM	Width	MSRP	Model	Width	Height	MSRP	Ceiling
JCH136/C1AS	300	36"	\$7,975	WDCC4-18/12AS	18"	12"	\$2,405	9'
JCH142/C1AS		42"	\$8,529	WDCC4-18/24AS		24"	\$2,561	10'
JCH148/C1AS		48"	\$8,929	WDCC4-24/12AS	24"	12"	\$2,526	9'
JCH236/C1AS	600	36"	\$8,555	WDCC4-24/24AS		24"	\$2,741	10'
JCH242/C1AS		42"	\$9,111	WDCC4-30/12AS	30"	12"	\$2,630	9'
JCH248/C1AS		48"	\$9,506	WDCC4-30/24AS		24"	\$2,903	10'
JCH348/C1AS	900	48"	\$10,121	WDCC4-36/12AS	36"	12"	\$2,750	9'
JCH354/C1AS		54"	\$11,092	WDCC4-36/24AS		24"	\$3,082	10'
JCH360/C1AS		60"	\$11,599	WDCC4-42/12AS	42"	12"	\$2,873	9'
JCH454/C1AS	1200	54"	\$11,673	WDCC4-42/24AS		24"	\$3,263	10'
JCH460/C1AS		60"	\$12,178	WDCC4-48/12AS	48"	12"	\$2,994	9'
JCH466/C1AS		66"	\$12,660	WDCC4-48/24AS		24"	\$3,425	10'

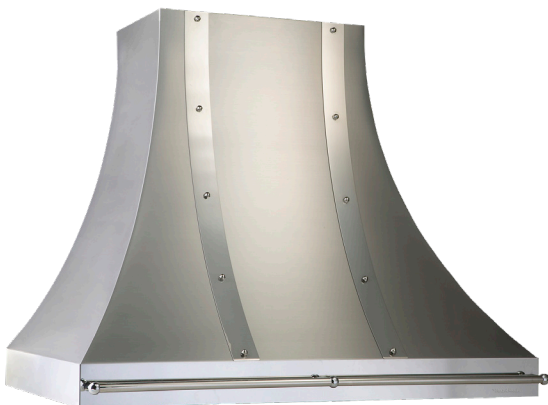
SPECIFY WIDTH, PLACEMENT, FINISH, ATTACHMENT METHOD, AND ATTACHMENT FINISH.
 QUANTITIES ABOVE ARE PER HOOD OR DUCT COVER AND PER SIDE.
 SEE PAGE 56 FOR ALL AVAILABLE FINISH AND ATTACHMENT OPTIONS.



MODEL: JCH/A1AS (WITH "AS SHOWN" TRIM)

Model	CFM	Width	Top Width	MSRP	Model #	Width	Top W.	Height	MSRP	Ceiling
JCH136/A1AS	300	36"	18"	\$6,887	CDC-18/12/18AS	18"	12"	18"	\$1,716	8'
JCH142/A1AS		42"	24"	\$7,341	CDC-18/12/30AS		12"	30"	\$2,592	9'
JCH148/A1AS		48"	30"	\$7,571	CDC-18/12/42AS		12"	42"	\$3,001	10'
JCH236/A1AS	600	36"	18"	\$7,467	CDC-24/12/18AS	24"	18"	18"	\$1,909	8'
JCH242/A1AS		42"	24"	\$7,922	CDC-24/12/30AS		12"	30"	\$2,924	9'
JCH248/A1AS		48"	30"	\$8,151	CDC-24/12/42AS		12"	42"	\$3,468	10'
JCH348/A1AS	900*	48"	30"	\$8,768	CDC-30/12/18AS	30"	24"	18"	\$2,103	8'
JCH354/A1AS		54"	36"	\$10,172	CDC-30/12/30AS		12"	30"	\$3,254	9'
JCH360/A1AS		60"	42"	\$10,650	CDC-30/12/42AS		12"	42"	\$3,937	10'
JCH454/A1AS	1200+	54"	36"	\$10,753	CDC-36/12/18AS	36"	30"	18"	\$2,300	8'
JCH460/A1AS		60"	42"	\$11,231	CDC-36/12/30AS		18"	30"	\$3,587	9'
JCH466/A1AS		66"	48"	\$11,734	CDC-36/12/42AS		18"	42"	\$4,402	10'
					CDC-42/12/18AS	42"	36"	18"	\$2,475	8'
					CDC-42/12/30AS		24"	30"	\$3,937	9'
					CDC-42/12/42AS		18"	42"	\$4,849	10'
					CDC-48/12/18AS	48"	42"	18"	\$2,668	8'
					CDC-48/12/30AS		30"	30"	\$4,265	9'
					CDC-48/12/42AS		24"	42"	\$5,318	10'

SPECIFY ATTACHMENT METHOD, PLACEMENT, AND FINISH.
 QUANTITIES ABOVE ARE PER HOOD OR DUCT COVER AND PER SIDE.
 SEE PAGE 56 FOR ALL AVAILABLE FINISH AND ATTACHMENT OPTIONS.



MODEL: JDH/C2AS (WITH "AS SHOWN" TRIM)

Model	CFM	Width	MSRP	Model	MSRP	Hood Width	Ceiling Height
JDH130/C2AS	300	30"	\$8,999	WDCRND-18/12AS	\$1,852	30" & 36"	9'
JDH230/C2AS	600	30"	\$9,499	WDCRND-18/24AS	\$2,071		10'
JDH136/C2AS	300	36"	\$7,999	WDCRND-24/12AS	\$1,962	42"	9'
JDH142/C2AS		42"	\$8,799	WDCRND-24/24AS	\$2,180		10'
JDH148/C2AS		48"	\$9,239	WDCRND-30/12AS	\$2,071	48"	9'
JDH236/C2AS	600	36"	\$8,799	WDCRND-30/24AS	\$2,398		10'
JDH242/C2AS		42"	\$9,349	WDCRND-36/12AS	\$2,180	54"	9'
JDH248/C2AS		48"	\$9,899	WDCRND-36/24AS	\$2,725		10'
JDH348/C2AS	900	48"	\$10,669	WDCRND-42/12AS	\$2,398	60"	9'
JDH354/C2AS		54"	\$11,659	WDCRND-42/24AS	\$2,943		10'
JDH360/C2AS		60"	\$12,699	WDCRND-48/12AS	\$2,507	66"	9'
JDH454/C2AS	1200	54"	\$12,429	WDCRND-48/24AS	\$3,161		10'
JDH460/C2AS		60"	\$12,999				
JDH466/C2AS		66"	\$13,749				

SPECIFY PLACEMENT AND FINISH.
 SEE PAGE 56 FOR ALL AVAILABLE FINISH OPTIONS.

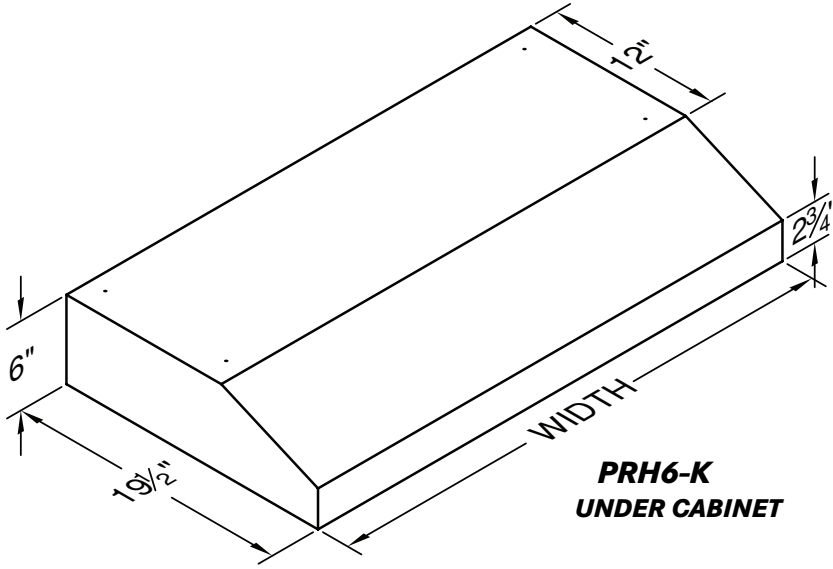
Vent-A-Hood[®]

**POWER LUNG
RANGE HOODS**

V-LINE UNDER CABINET & LINER INSERT

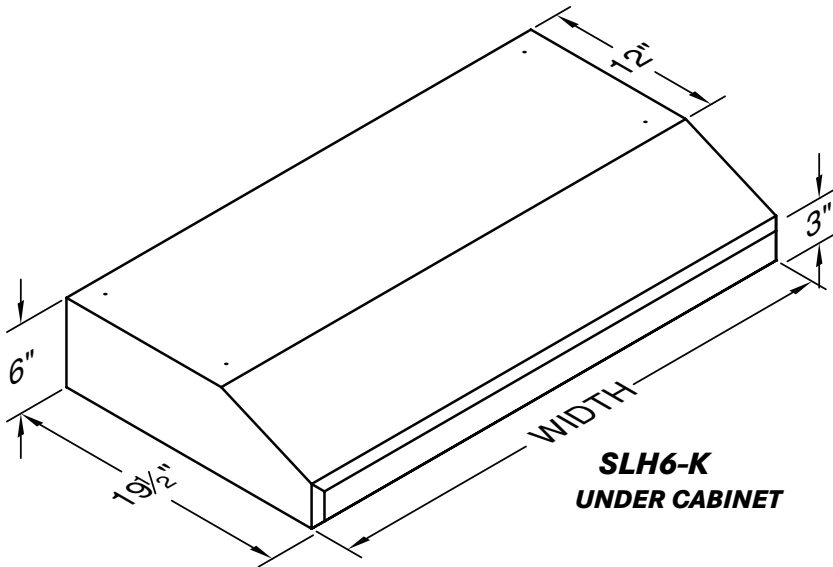
REC. MOUNTING HEIGHT FROM
COOKING SURFACE: 21"-24"

OPTIONAL TRANSITION TO 7" ROUND: VP521



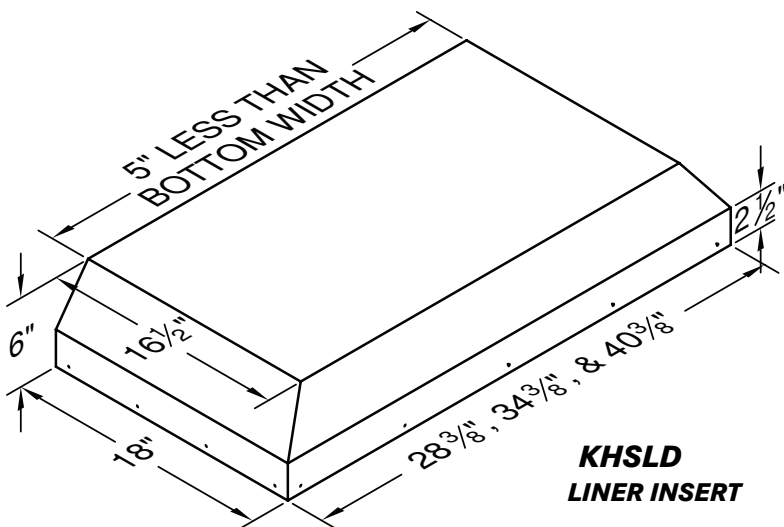
PRH6-K

Model No.	CFM	Width	Painted	Stainless	# Lts
PRH6-K24	250	24"	841	999	2
PRH6-K30		30"	841	999	2
PRH6-K36		36"	841	999	2
PRH6-K42		42"	987	1,223	3



SLH6-K

Model No.	CFM	Width	Painted	Stainless	# Lts
SLH6-K24	250	24"	841	999	2
SLH6-K30		30"	841	999	2
SLH6-K36		36"	841	999	2
SLH6-K42		42"	987	1,223	3



KHS LD

Model No.	CFM	Width	Painted	Stainless	# Lts
KH28SLD	250	28 3/8"	760	929	2
KH34SLD		34 3/8"	760	929	2
KH40SLD		40 3/8"	902	1,088	2

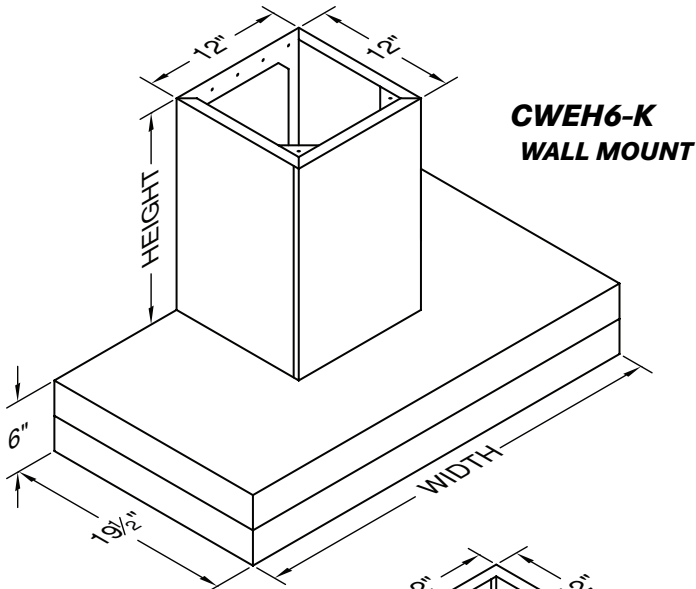
OPTIONAL TRIM KITS

Model No.	Width	Painted	Stainless
TKK28SLD	28-3/8"	35	35
TKK34SLD	34-3/8"	35	35
TKK40SLD	40-3/8"	36	36

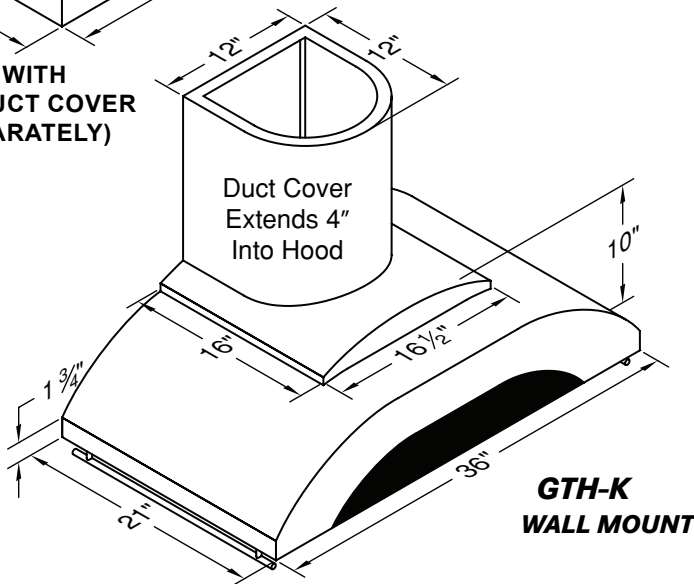
V-LINE CONTEMPORARY WALL MOUNT & ISLAND

REC. MOUNTING HEIGHT FROM COOKING SURFACE:
CIEH6-K & GTH-K: 24", CIEH6-K: 30"

OPTIONAL TRANSITION TO 7" ROUND: VP521



SHOWN WITH
MATCHING DUCT COVER
(SOLD SEPARATELY)



CWEH6-K

Model No.	CFM	Width	Painted	Stainless	# Lts
CWEH6-K30	250	30"	1,513	1,922	2
CWEH6-K36		36"	1,513	1,922	2
CWEH6-K42		42"	1,767	2,249	3
CWEH6-K48		48"	1,854	2,336	3

DUCT COVERS FOR CWEH6-K

Model No.	Width	Height	Painted	Stainless	Ceiling
W6DCRND-12/18	12"	18"	747	842	7'
W6DCRND-12/30		30"	851	1,008	8'
W6DCRND-12/42		42"	953	1,175	9'
CUSTOM	WIDTH X HEIGHT X PLUS		0.77	1.24	639
FINISHED TOP	WIDTH X DEPTH X PLUS		0.77	1.24	373
SLOPED TOP •	ADD		639		

CEILING BASED ON REC. MAXIMUM HOOD MOUNTING HEIGHT.
• SPECIFY FRONT TO BACK OR LEFT TO RIGHT DIMENSIONS.

GTH-K

Model No.	CFM	Width	Stainless	# Lts
GTH-K36	250	36"	1,854	2

DUCT COVERS FOR GTH-K

Model No.	Width	Height	Stainless	Ceiling
WGDC-12/18	12"	18"	907	7'
WGDC-12/30		30"	1,092	8'
WGDC-12/42		42"	1,277	9'
CUSTOM	WIDTH X HEIGHT X PLUS		1.24	639

CEILING BASED ON REC. MAXIMUM HOOD MOUNTING HEIGHT.

GTH-K VARIATIONS

REMOVE FIXED LENGTH SS RAIL	
ADD	373

CIEH6-K

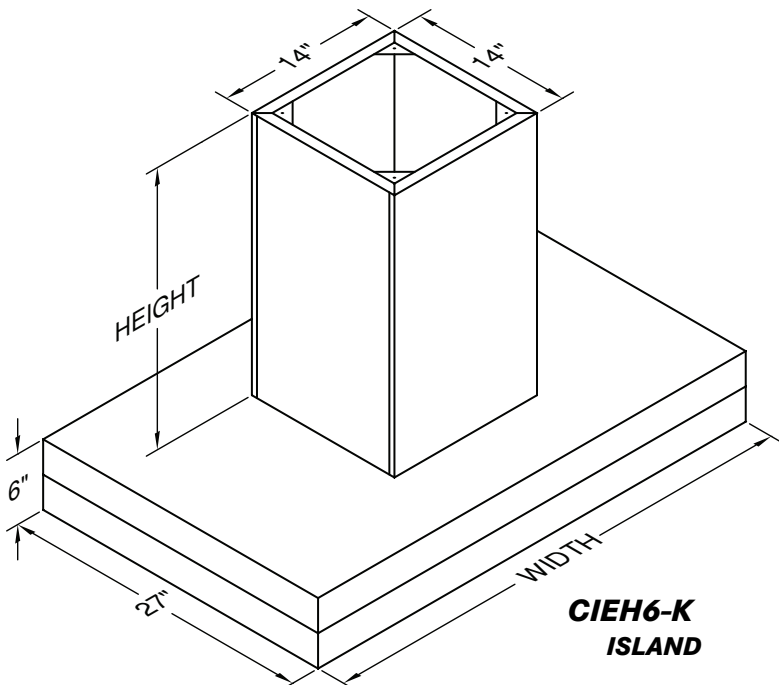
Model No.	CFM	Width	Painted	Stainless	# Lts
CIEH6-K36	250	36"	2,495	3,695	4
CIEH6-K42		42"	2,628	3,896	4

DUCT COVERS FOR CIEH6-K

Model No.	Width	Height	Painted	Stainless	Ceiling
IDCRND-14/24	12"	24"	930	1,040	8'
IDCRND-14/36		36"	1,092	1,257	9'
CUSTOM	WIDTH X HEIGHT X PLUS		1.03	1.38	639
SLOPED TOP •	ADD		639		

CEILING BASED ON REC. MAXIMUM HOOD MOUNTING HEIGHT.
• SPECIFY FRONT TO BACK OR LEFT TO RIGHT DIMENSIONS.

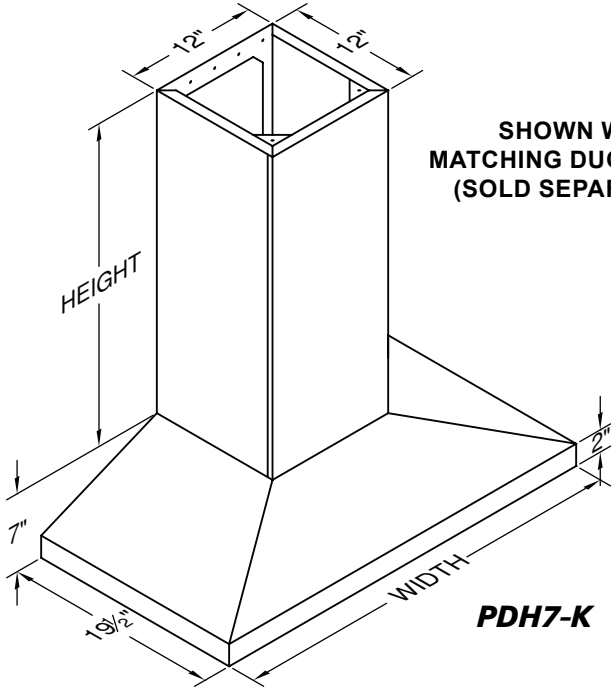
SHOWN WITH
MATCHING DUCT COVER
(SOLD SEPARATELY)



V-LINE EURO-STYLE WALL MOUNT

REC. MOUNTING HEIGHT FROM
COOKING SURFACE: 24"

PDH7-K OPTIONAL TRANSITION TO 7" ROUND: VP521
PDH14-K: TRANSITION TO 7" ROUND INCLUDED



SHOWN WITH
MATCHING DUCT COVER
(SOLD SEPARATELY)

PDH7-K

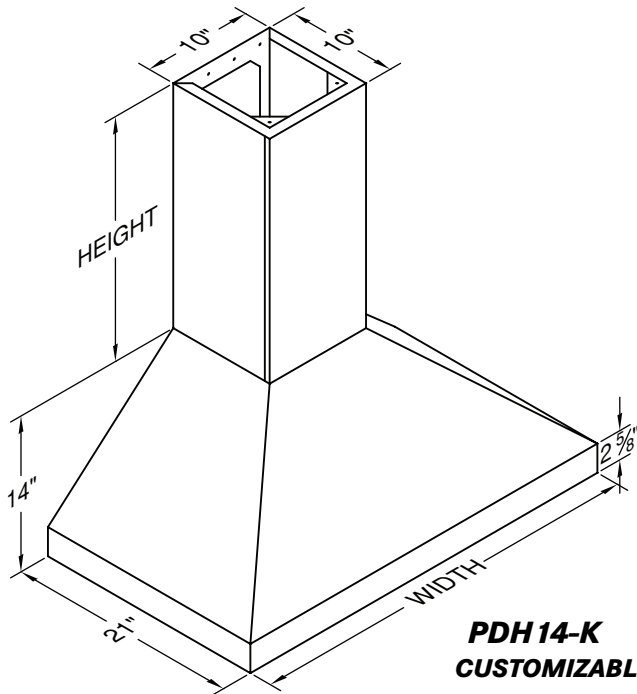
PDH7-K

Model No.	CFM	Width	Painted	Stainless	# Lts
PDH7-K30	250	30"	1,513	1,922	2
PDH7-K36		36"	1,513	1,922	2

DUCT COVERS FOR PDH7-K

Model No.	Width	Height	Painted	Stainless	Ceiling
W7DCRND-12/17	12"	17"	741	825	7'
W7DCRND-12/29		29"	848	991	8'
W7DCRND-12/41		41"	950	1,157	9'
CUSTOM	WIDTH X HEIGHT X PLUS		0.77	1.24	
			639		
FINISHED TOP	WIDTH X DEPTH X PLUS		0.77	1.24	
			373		
SLOPED TOP •	ADD		639		

CEILING BASED ON REC. MAXIMUM HOOD MOUNTING HEIGHT.
• SPECIFY FRONT TO BACK OR LEFT TO RIGHT DIMENSIONS.



SHOWN WITH
MATCHING DUCT COVER
(SOLD SEPARATELY)

**PDH14-K
CUSTOMIZABLE!**

PDH14-K

Model No.	CFM	Width	Painted	Stainless	Overlay •	# Lts
PDH14-K30	250	30"	1,666	2,303	3,312	2
PDH14-K36		36"	1,700	2,356	3,436	2
PDH14-K42		42"	1,789	2,529	3,754	3
PDH14-K48		48"	1,871	2,622	3,950	3

• FOR OVERLAY HOODS, SPECIFY INTERIOR COLOR.
VP521 TRANSITION TO 7" ROUND INCLUDED.

DUCT COVERS FOR PDH14-K

Model No.	Width	Height	Painted	Stainless	Overlay	Ceiling
WDCRND-10/10	10"	10"	651	707	764	7'
WDCRND-10/22		22"	745	842	976	8'
WDCRND-10/34		34"	842	976	1,185	9'
CUSTOM	WIDTH X HEIGHT X PLUS		0.77	1.24	1.94	
			639			
FINISHED TOP	WIDTH X DEPTH X PLUS		0.70	1.12	1.74	
			336			
SLOPED TOP •	ADD		639			

CEILING BASED ON REC. MAXIMUM HOOD MOUNTING HEIGHT.
• SPECIFY FRONT TO BACK OR LEFT TO RIGHT DIMENSIONS.

PDH14-K EURO-STYLE WALL MOUNT HOOD VARIATIONS

SPECIAL WIDTH (LESS THAN 48") USE NEXT LARGEST SIZE ON PRICE LIST, PLUS				373	STAINLESS STEEL INTERIOR ON OVERLAY HOOD SUBTRACT PAINTED HOOD PRICE FROM STAINLESS HOOD PRICE
DEPTH OVER 21"					
WIDTH X EXTRA DEPTH X PLUS	PAINTED	STAINLESS	OVERLAY		CUSTOM COLOR (SEE CUSTOM COLOR CHART) ADD 1165
	1.85	2.71	3.69		
TRIM OPTIONS SEE PAGES 56-57 FOR FINISH AND TRIM OPTIONS					

Vent-A-Hood[®]

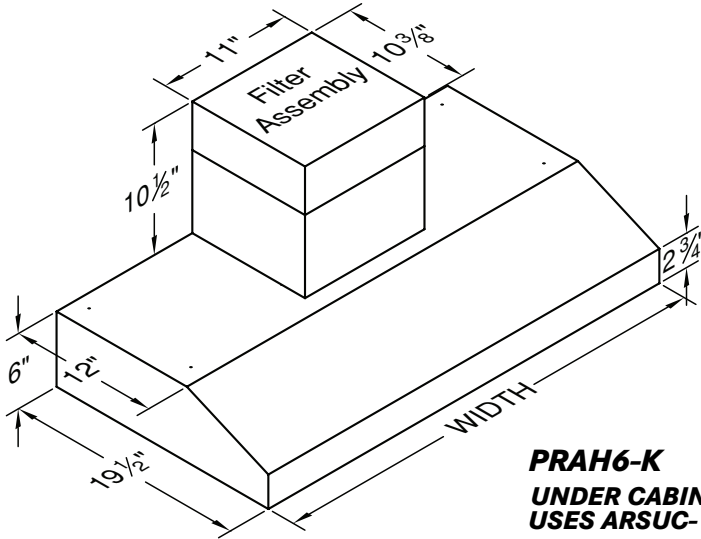
ARS DUCT FREE RANGE HOODS



ARS DUCT FREE UNDER CABINET & LINER INSERT

REC. MOUNTING HEIGHT FROM
COOKING SURFACE: 21"-24"

ARS FILTER KIT REQUIRED
(SOLD SEPARATELY)

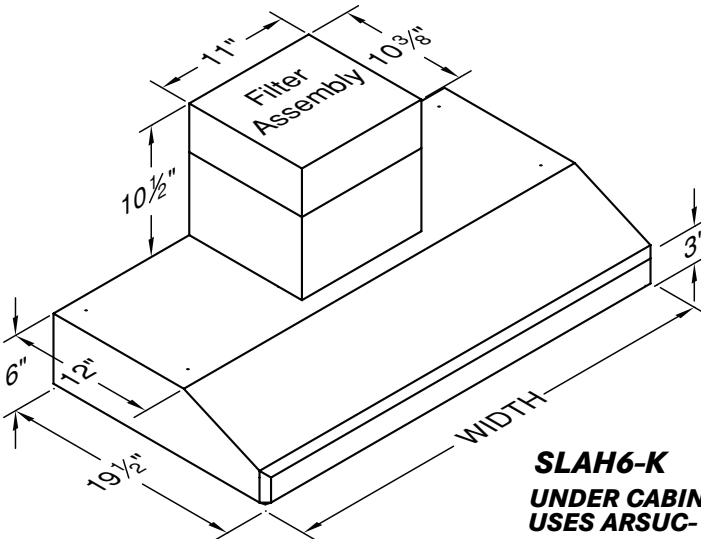


PRAH6-K
UNDER CABINET
USES ARSUC-12/10

PRAH6-K

Model No.	ARS Kit •	Width	Painted	Stainless	# Lts
PRAH6-K24	ARSUC-12/10	24"	857	1,030	2
PRAH6-K30		30"	857	1,030	2
PRAH6-K36		36"	857	1,030	2
PRAH6-K42		42"	1,006	1,246	3

• ARS KIT IS REQUIRED FOR INSTALLATION, SOLD SEPARATELY.

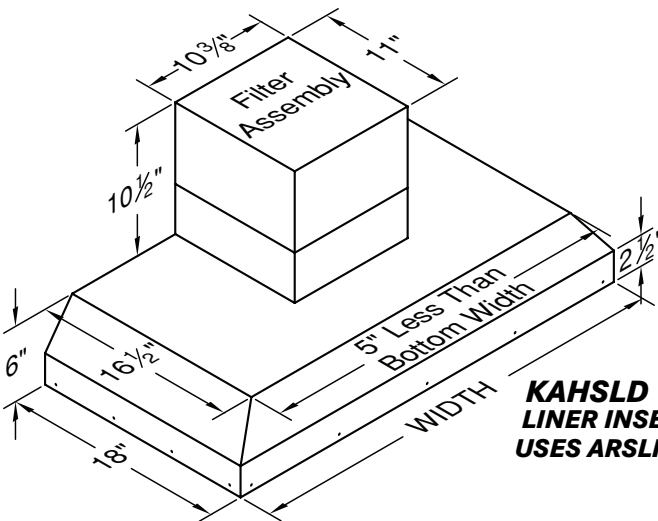


SLAH6-K
UNDER CABINET
USES ARSUC-12/10

SLAH6-K

Model No.	ARS Kit •	Width	Painted	Stainless	# Lts
SLAH6-K24	ARSUC-12/10	24"	857	1,030	2
SLAH6-K30		30"	857	1,030	2
SLAH6-K36		36"	857	1,030	2
SLAH6-K42		42"	1,006	1,246	3

• ARS KIT IS REQUIRED FOR INSTALLATION, SOLD SEPARATELY.



KAHSLD
LINER INSERT
USES ARSLP-12/10

KAHSLD

Model No.	ARS Kit •	Width	Painted	Stainless	# Lts
KAH28SLD	ARSLP-12/10	28 3/8"	768	938	2
KAH34SLD		34 3/8"	768	938	2
KAH40SLD		40 3/8"	911	1,099	2

• ARS KIT IS REQUIRED FOR INSTALLATION, SOLD SEPARATELY.

OPTIONAL TRIM KITS

Model No.	Width	Painted	Stainless
TKK28SLD	28-3/8"	35.10	35.10
TKK34SLD	34-3/8"	35.10	35.10
TKK40SLD	40-3/8"	36.45	36.45

ARS FILTER KITS

Model No.	Description	Price
ARSLP-12/10	ARS Filter Assembly - Low Profile (Replaces ARSLP-12)	436
ARSUC-12/10	ARS Filter Assembly - Under Cabinet (Replaces ARSUC-12)	436

ARS FILTER REPLACEMENT PARTS

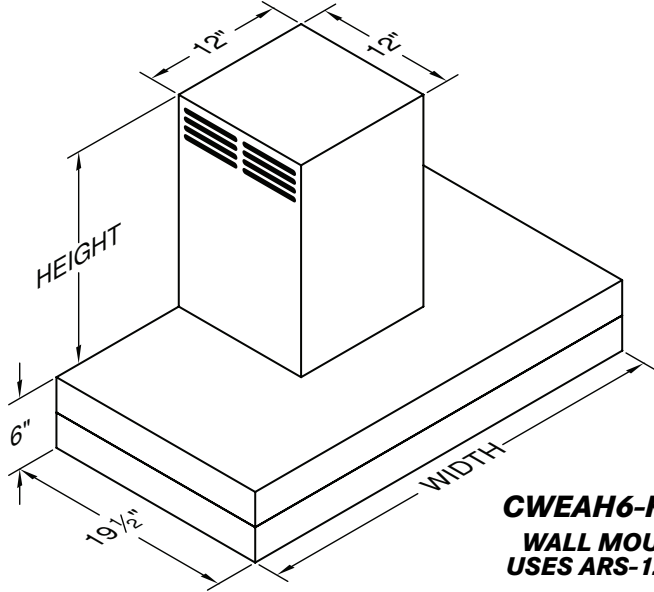
Model No.	Description	Price
PARS-12/10	H.E. Filter Assembly (Replaces PARS-12)	331
PARS-C	Replacement Activated Carbon Pellets	105

THE H.E. FILTER ASSEMBLY AND ACTIVATED CARBON MEDIA SHOULD BE CHANGED AS NEEDED
BASED ON USAGE.

ARS DUCT FREE CONTEMPORARY WALL MOUNT & ISLAND

REC. MOUNTING HEIGHT FROM COOKING SURFACE:
CWEAH6-K: 21"-24", CIEAH6-K: 30"

ARS FILTER KIT REQUIRED
(SOLD SEPARATELY)



CWEAH6-K
WALL MOUNT
USES ARS-12/10

CWEAH6-K

Model No.	ARS Kit •	Width	Painted	Stainless	# Lts
CWEAH6-K30	ARS-12/10	30"	1,407	1,781	2
CWEAH6-K36		36"	1,407	1,781	2
CWEAH6-K42		42"	1,629	2,079	3
CWEAH6-K48		48"	1,706	2,133	3

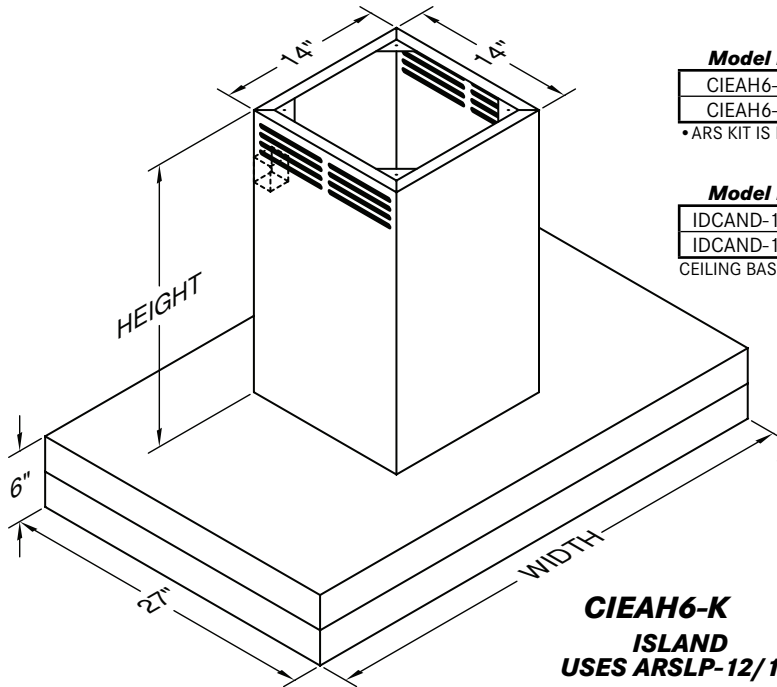
•ARS KIT IS REQUIRED FOR INSTALLATION, SOLD SEPARATELY.

DUCT COVERS FOR CWEAH6-K

Model No.	Width	Height	Painted	Stainless	Ceiling
W6DCAND-12/18	12"	18"	976	1,050	7'
W6DCAND-12/30		30"	1,069	1,203	8'
W6DCAND-12/42		42"	1,165	1,338	9'

CEILING BASED ON REC. MAXIMUM HOOD MOUNTING HEIGHT.

SHOWN WITH MATCHING DUCT
COVER AND ARS-12/10 FILTER
KIT (SOLD SEPARATELY)



CIEAH6-K
ISLAND
USES ARSLP-12/10

CIEAH6-K

Model No.	ARS Kit •	Width	Painted	Stainless	# Lts
CIEAH6-K36	ARSLP-12/10	36"	2,543	3,390	4
CIEAH6-K42		42"	2,678	3,573	4

•ARS KIT IS REQUIRED FOR INSTALLATION, SOLD SEPARATELY.

DUCT COVERS FOR CIEAH6-K

Model No.	Width	Height	Painted	Stainless	Ceiling
IDCAND-14/24	14"	24"	1,130	1,242	8'
IDCAND-14/36		36"	1,293	1,458	9'

CEILING BASED ON REC. MAXIMUM HOOD MOUNTING HEIGHT.

SHOWN WITH MATCHING DUCT
COVER AND ARSLP-12 FILTER
KIT (SOLD SEPARATELY)

ARS FILTER KITS

Model No.	Description	Price
ARS-12/10	ARS Filter Assembly for CWEAH6-K (Replaces ARS-12)	695
ARSLP-12/10	ARS Filter Assembly - Low Profile (Replaces ARSLP-12)	436

ARS FILTER REPLACEMENT PARTS

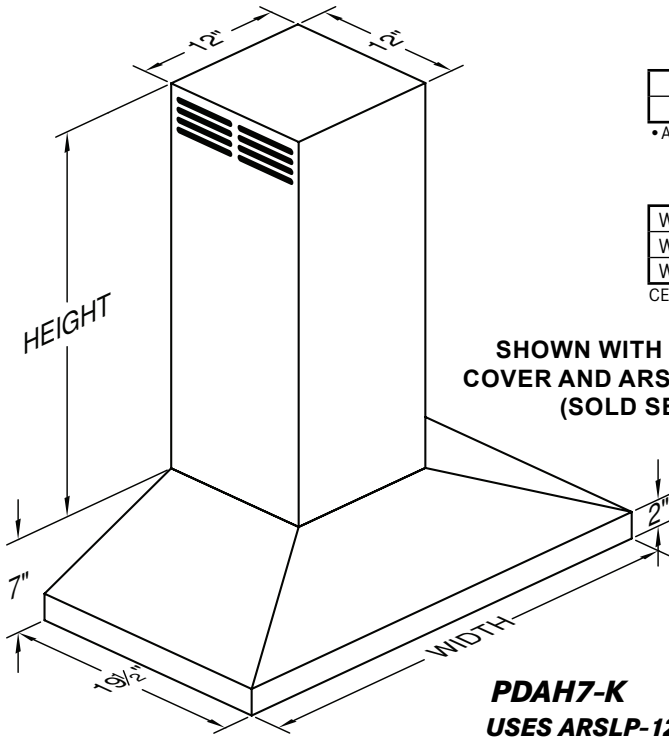
Model No.	Description	Price
PARS-12/10	H.E. Filter Assembly (Replaces PARS-12)	331
PARS-C	Replacement Activated Carbon Pellets	105

THE H.E. FILTER ASSEMBLY AND ACTIVATED CARBON MEDIA SHOULD BE CHANGED AS NEEDED
BASED ON USAGE.

ARS DUCT FREE EURO-STYLE WALL MOUNT

REC. MOUNTING HEIGHT FROM
COOKING SURFACE: 24"

ARS FILTER KIT REQUIRED
(SOLD SEPARATELY)



PDAH7-K

Model No.	ARS Kit •	Width	Painted	Stainless	# Lts
PDAH7-K30	ARSLP-12/10	30"	1,600	2,033	2
PDAH7-K36		36"	1,600	2,033	2

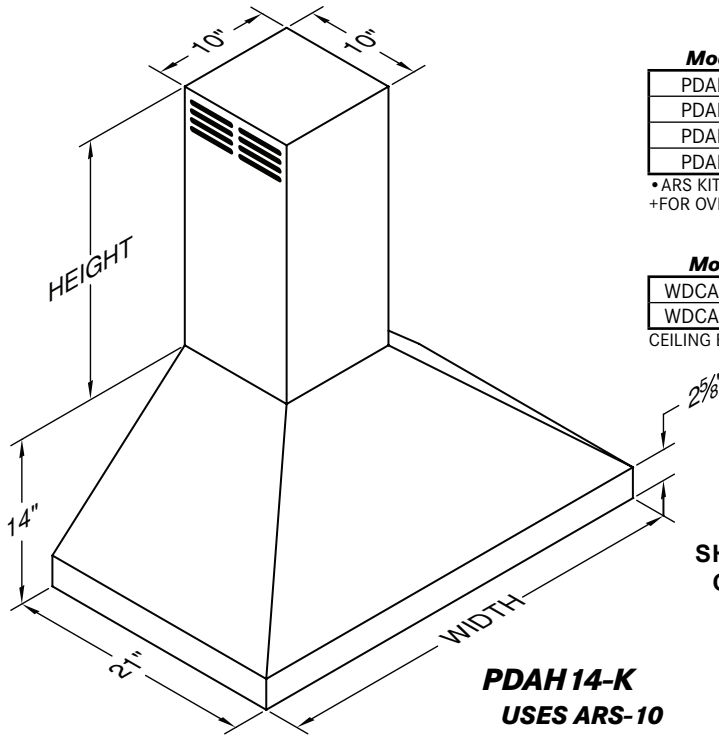
•ARS KIT IS REQUIRED FOR INSTALLATION, SOLD SEPARATELY.

DUCT COVERS FOR PDAH7-K

Model No.	Width	Height	Painted	Stainless	Ceiling
W7DCAND-12/17	12"	17"	967	1,040	7'
W7DCAND-12/29		29"	1,061	1,192	8'
W7DCAND-12/41		41"	1,158	1,326	9'

CEILING BASED ON REC. MAXIMUM HOOD MOUNTING HEIGHT.

SHOWN WITH MATCHING DUCT
COVER AND ARSLP-12/10 FILTER KIT
(SOLD SEPARATELY)



PDAH14-K

Model No.	ARS Kit •	Width	Painted	Stainless	Overlay+	# Lts
PDAH14-K30	ARS-10	30"	1,762	2,434	3,501	2
PDAH14-K36		36"	1,797	2,489	3,632	2
PDAH14-K42		42"	1,890	2,673	3,969	3
PDAH14-K48		48"	1,979	2,772	4,176	3

•ARS KIT IS REQUIRED FOR INSTALLATION, SOLD SEPARATELY.
+FOR OVERLAY HOODS, SPECIFY INTERIOR COLOR.

DUCT COVERS FOR PDAH14-K

Model No	Width	Height	Painted	Stainless	Overlay	Ceiling
WDCAND-10/22	10"	22"	976	1,069	1,185	8'
WDCAND-10/34		34"	1,050	1,185	1,378	9'

CEILING BASED ON REC. MAXIMUM HOOD MOUNTING HEIGHT.

SHOWN WITH MATCHING DUCT
COVER AND ARS FILTER KIT
(SOLD SEPARATELY)

ARS FILTER KITS

Model No.	Description	Price
ARS-10	ARS Filter Assembly for PDAH14-K	695
ARSLP-12/10	ARS Filter Assembly - Low Profile (Replaces ARSLP-12)	436

ARS FILTER REPLACEMENT PARTS

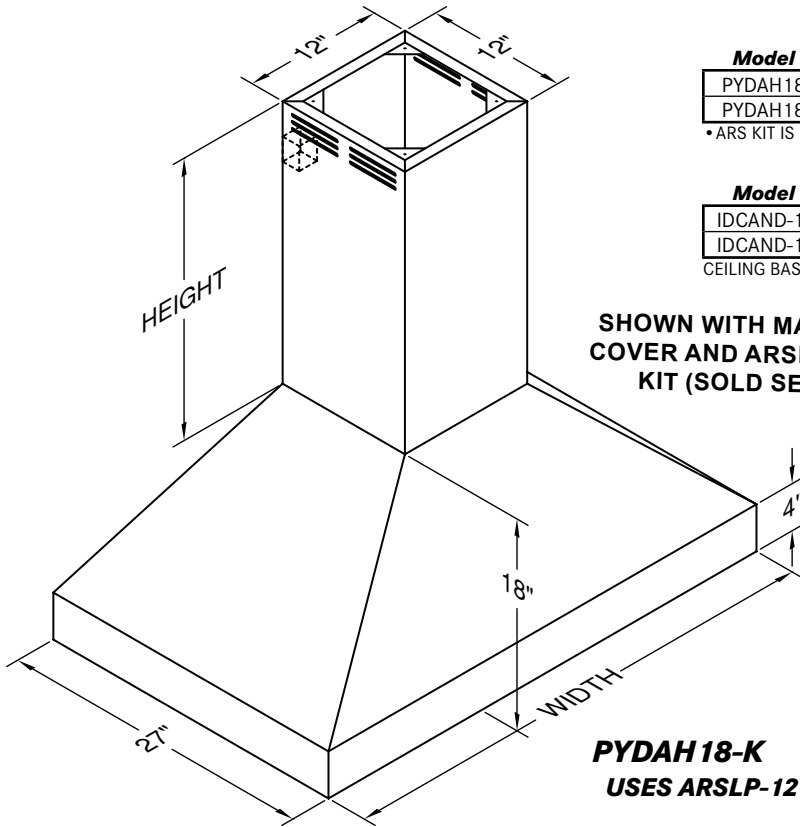
Model No.	Description	Price
PARS-12/10	H.E. Filter Assembly (Replaces PARS-12)	331
PARS-C	Replacement Activated Carbon Pellets	105

THE H.E. FILTER ASSEMBLY AND ACTIVATED CARBON MEDIA SHOULD BE CHANGED AS
NEEDED BASED ON USAGE.

ARS DUCT FREE EURO-STYLE ISLAND

REC. MOUNTING HEIGHT FROM
COOKING SURFACE: 30"

ARS FILTER KIT REQUIRED
(SOLD SEPARATELY)



PYDAH 18-K

Model No.	ARS Kit •	Width	Painted	Stainless	# Lts
PYDAH 18-K36	ARSLP-12/10	36"	4,193	5,706	4
PYDAH 18-K42		42"	4,373	5,947	4

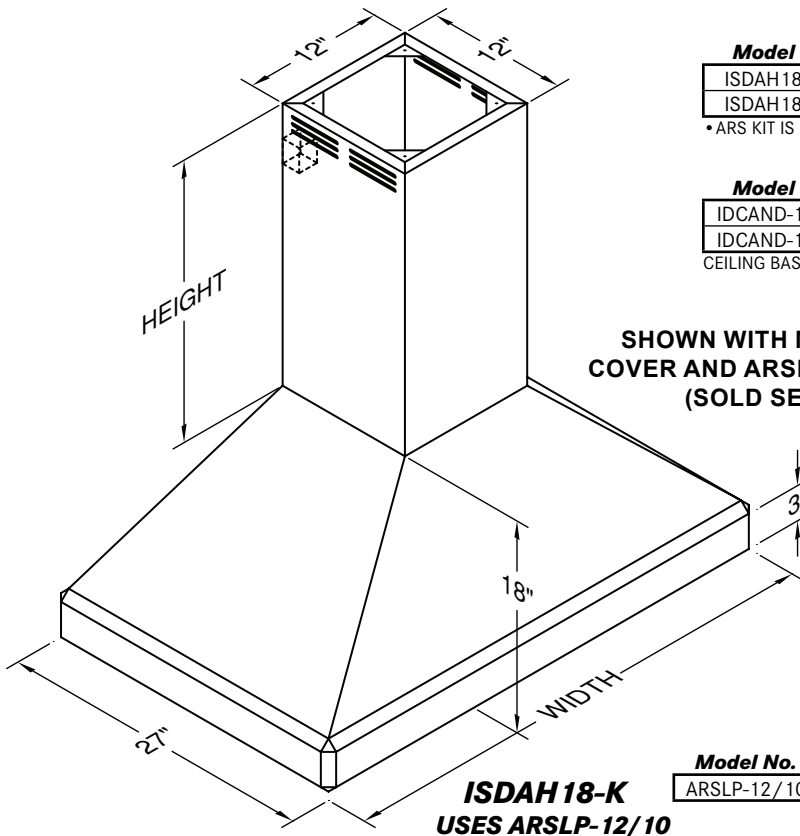
• ARS KIT IS REQUIRED FOR INSTALLATION, SOLD SEPARATELY.

DUCT COVERS FOR PYDAH 18-K

Model No.	Width	Height	Painted	Stainless	Ceiling
IDCAND-12/24	12"	24"	1,089	1,169	9'
IDCAND-12/36		36"	1,188	1,299	10'

CEILING BASED ON REC. MAXIMUM HOOD MOUNTING HEIGHT.

SHOWN WITH MATCHING DUCT
COVER AND ARSLP-12/10 FILTER
KIT (SOLD SEPARATELY)



ISDAH 18-K

Model No.	ARS Kit •	Width	Painted	Stainless	# Lts
ISDAH 18-K36	ARSLP-12/10	36"	4,967	6,523	4
ISDAH 18-K42		42"	5,144	6,764	4

• ARS KIT IS REQUIRED FOR INSTALLATION, SOLD SEPARATELY.

DUCT COVERS FOR ISDAH 18-K

Model No.	Width	Height	Painted	Stainless	Ceiling
IDCAND-12/24	12"	24"	1,089	1,169	9'
IDCAND-12/36		36"	1,188	1,299	10'

CEILING BASED ON REC. MAXIMUM HOOD MOUNTING HEIGHT.

SHOWN WITH MATCHING DUCT
COVER AND ARSLP-12/10 FILTER
KIT (SOLD SEPARATELY)

ARS FILTER KITS

Model No.	Description	Price
ARSLP-12/10	ARS Filter Assembly - Low Profile (Replaces ARSLP-12)	436

ARS FILTER REPLACEMENT PARTS

Model No.	Description	Price
PARS-12/10	H.E. Filter Assembly (Replaces PARS-12)	331
PARS-C	Replacement Activated Carbon Pellets	105

THE H.E. FILTER ASSEMBLY AND ACTIVATED CARBON MEDIA SHOULD BE CHANGED AS NEEDED
BASED ON USAGE.

MAP - CAN

11/21/23

Vent-A-Hood[®]

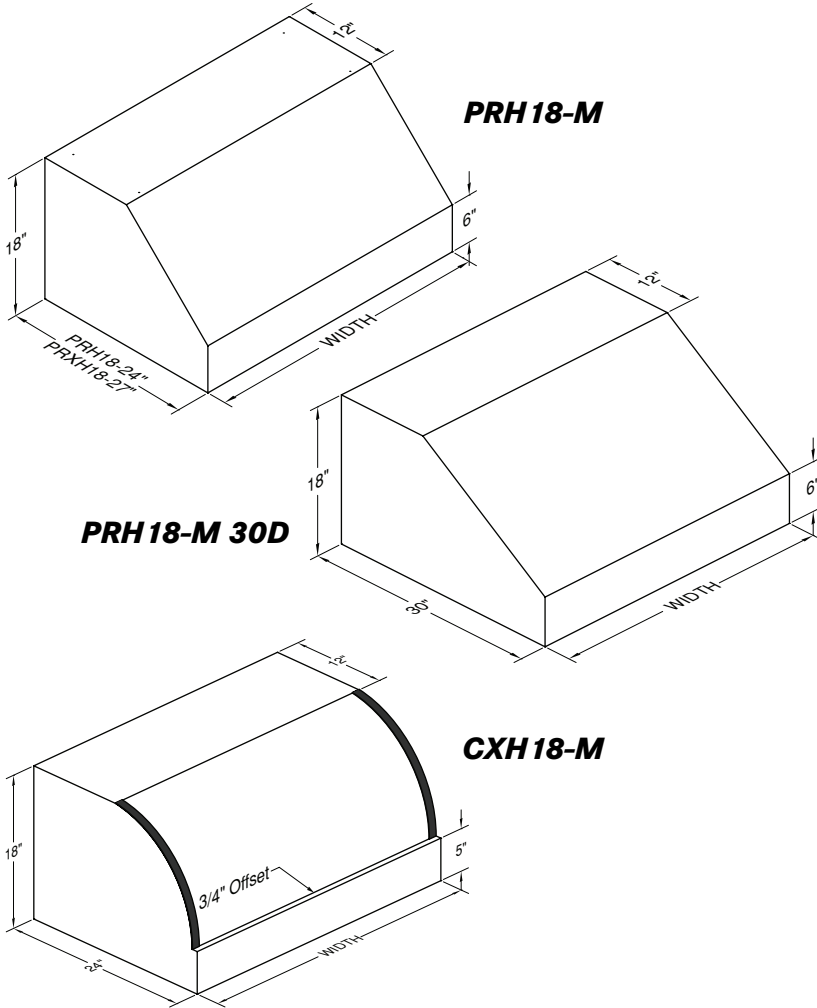
M SERIES RANGE HOODS



M SERIES WALL MOUNT

REC. MOUNTING HEIGHT FROM
COOKING SURFACE: 30"

BLOWER ASSEMBLY REQUIRED
(SOLD SEPARATELY)



PRH18-M/PRXH18-M

Model No.	Width	Price	# Lts	Filters
PRH18-M30 SS	30"	1,882	2	2
PRH18-M36 SS	36"	1,915	2	2
PRH18-M42 SS	42"	2,070	2	2
PRH18-M48 SS	48"	2,185	3	3
PRH18-M54 SS	54"	2,672	4	3
PRH18-M60 SS	60"	2,900	4	4
PRH18-M66 SS	66"	3,098	4	4

FOR 27" DEEP MODEL, ORDER PRXH18-M (NO ADDITIONAL COST)
BLOWER SOLD SEPARATELY
STAINLESS STEEL BAFFLE FILTERS AND GU10 LIGHTING INCLUDED.

PRH18-M 30"D

Model No.	Width	Price	# Lts	Filters
PRH18-M36x30 SS	36"	2,832	2	2
PRH18-M42x30 SS	42"	3,115	2	2
PRH18-M48x30 SS	48"	3,328	3	3
PRH18-M54x30 SS	54"	3,921	4	3

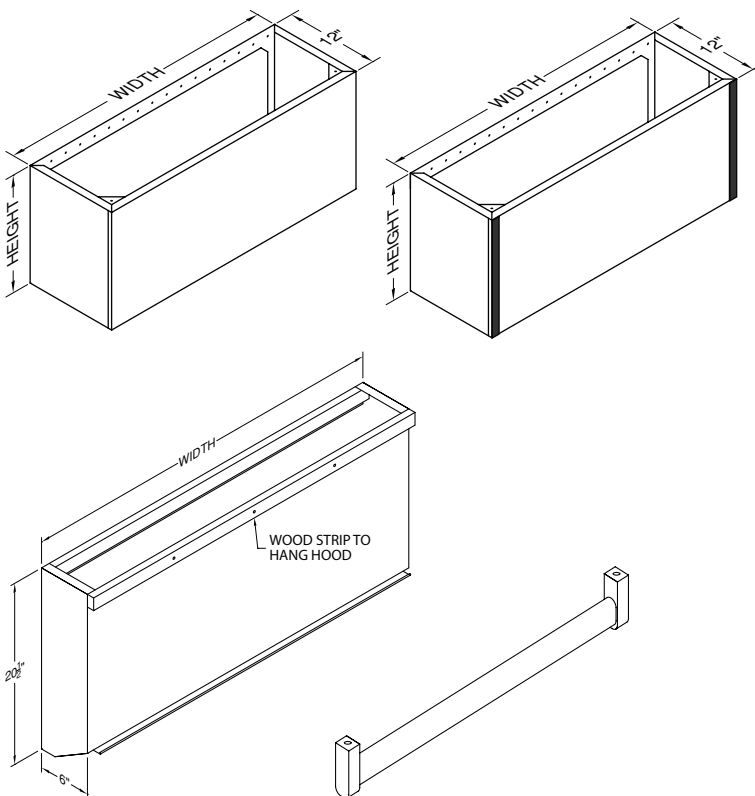
BLOWER SOLD SEPARATELY

CXH18-M

Model No.	Width	Price	# Lts	Filters
CXH18-M30 SS	30"	2,406	2	2
CXH18-M36 SS	36"	2,439	2	2
CXH18-M42 SS	42"	2,603	2	2
CXH18-M48 SS	48"	2,799	3	3
CXH18-M54 SS	54"	3,236	4	3
CXH18-M60 SS	60"	3,481	4	4
CXH18-M66 SS	66"	3,788	4	4

BLOWER SOLD SEPARATELY
STAINLESS STEEL BAFFLE FILTERS AND GU10 LIGHTING INCLUDED.
1" STAINLESS STEEL BANDS INCLUDED.

WALL MOUNT DUCT COVER OPTIONS



Model No.	Width	Height	Price	Ceiling
WDCM-30 SS	30"	12"	733	8'
WDCM-30/24 SS		24"	1,037	9'
WDCM-30/36 SS		36"	1,343	10'
WDCM-36 SS	36"	12"	793	8'
WDCM-36/24 SS		24"	1,159	9'
WDCM-36/36 SS		36"	1,521	10'
WDCM-42 SS	42"	12"	856	8'
WDCM-42/24 SS		24"	1,282	9'
WDCM-42/36 SS		36"	1,704	10'
WDCM-48 SS	48"	12"	915	8'
WDCM-48/24 SS		24"	1,402	9'
WDCM-48/36 SS		36"	1,886	10'
WDCM-54 SS	54"	12"	977	8'
WDCM-60 SS	60"	12"	1,037	8'
WDCM-66 SS	66"	12"	1,099	8'

USE XDCM MODEL NUMBER PREFIX FOR CXH18-M HOODS.
1" STAINLESS STEEL BANDS INCLUDED ON XDCM MODELS.
CEILING BASED ON REC. MAXIMUM HOOD MOUNTING HEIGHT.

M SERIES BBQ EXTENSION

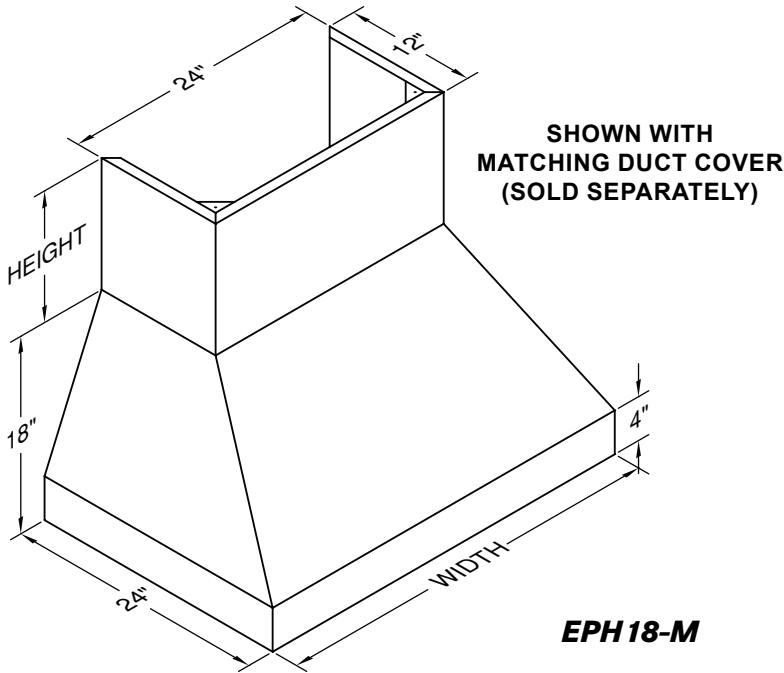
Model No.	Width	Price	WR Rail	Price
BBE-M30 SS	30"	717	WR-M30	142
BBE-M36 SS	36"	843	WR-M36	159
BBE-M42 SS	42"	923	WR-M42	159
BBE-M48 SS	48"	988	WR-M48	169
BBE-M54 SS	54"	1059	WR-M54	169
BBE-M60 SS	60"	1130	WR-M60	169

WR RAIL SOLD SEPARATELY
FOR USE ON CXH18-M, PRH18-M, AND PRXH18-M

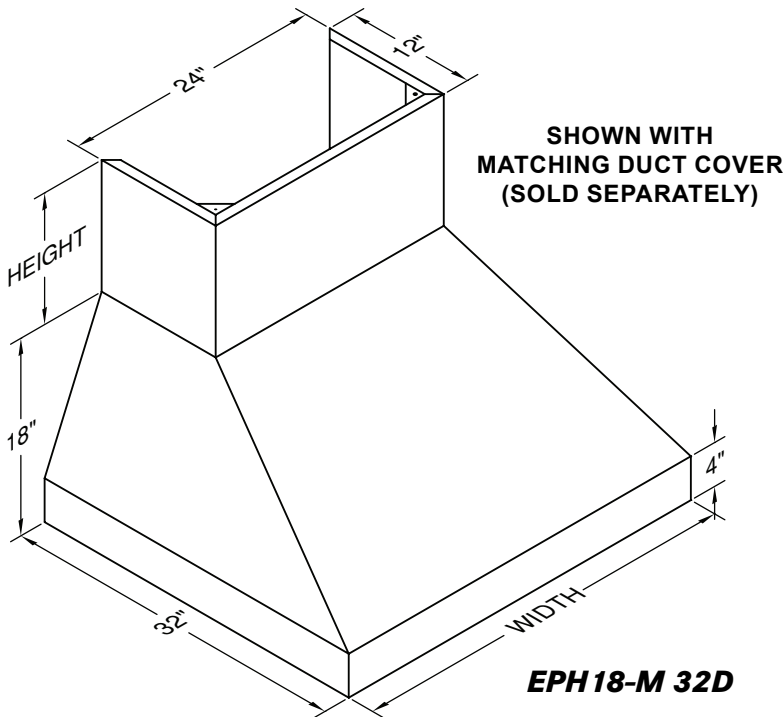
M SERIES EURO-STYLE WALL MOUNT

REC. MOUNTING HEIGHT FROM
COOKING SURFACE: 30"

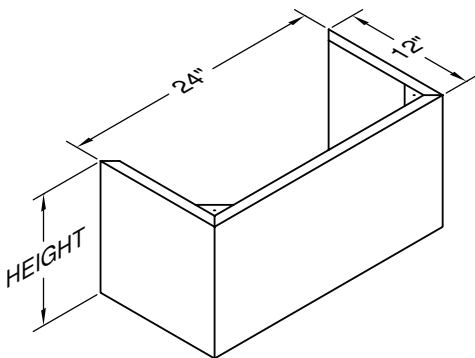
BLOWER ASSEMBLY REQUIRED
(SOLD SEPARATELY)



EPH 18-M



EPH 18-M 32D



EPH 18-M

Model No.	Width	Price	# Lts	Filters
EPH 18-M36 SS	36"	2,458	2	2
EPH 18-M42 SS	42"	2,692	2	2
EPH 18-M48 SS	48"	2,861	3	3

BLOWER SOLD SEPARATELY
STAINLESS STEEL BAFFLE FILTERS AND GU10 LIGHTING INCLUDED.

EPH 18-M 32"D

Model No.	Width	Price	# Lts	Filters
EPH 18-M36X32 SS	36"	3,610	2	2
EPH 18-M42X32 SS	42"	3,940	2	2
EPH 18-M48X32 SS	48"	4,199	3	3

BLOWER SOLD SEPARATELY
STAINLESS STEEL BAFFLE FILTERS AND GU10 LIGHTING INCLUDED.

EURO WALL MOUNT DUCT COVERS

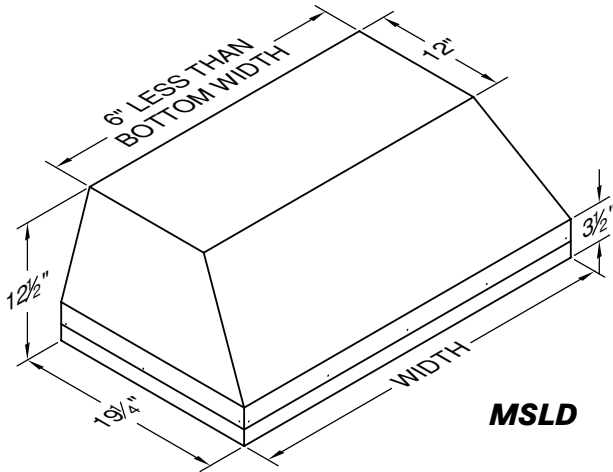
Model No.	Width	Height	Price	Ceiling
WDCM-24/12 SS	24"	12"	921	8'
WDCM-24/24 SS		24"	1,304	9'
WDCM-24/36 SS		36"	1,566	10'

CEILING BASED ON REC. MAXIMUM HOOD MOUNTING HEIGHT.

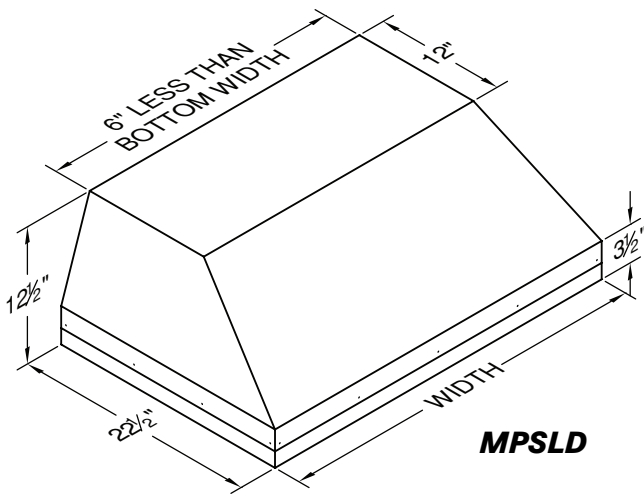
M SERIES WALL MOUNT LINER INSERTS & BLOWERS

REC. MOUNTING HEIGHT FROM COOKING SURFACE:
MSLD: 24"-27", MPLSD: 27"-30"

BLOWER ASSEMBLY REQUIRED
(SOLD SEPARATELY)



MSLD



MPLSD

MSLD

Model No.	Width	Price	# Lts	Filters
M28SLD SS	28 3/8"	977	2	2
M34SLD SS	34 3/8"	977	2	2
M40SLD SS	40 3/8"	1,081	2	2
M46SLD SS	46 3/8"	1,340	3	3
M52SLD SS	52 3/8"	2,326	3	3
M58SLD SS	58 3/8"	2,463	4	4
M64SLD SS	64 3/8"	2,811	4	4

BLOWER SOLD SEPARATELY
STAINLESS STEEL BAFFLE FILTERS AND GU10 LIGHTING INCLUDED.

MPLSD

Model No.	Width	Price	# Lts	Filters
M28PSLD SS	28 3/8"	977	2	2
M34PSLD SS	34 3/8"	977	2	2
M40PSLD SS	40 3/8"	1,081	2	2
M46PSLD SS	46 3/8"	1,340	3	3
M52PSLD SS	52 3/8"	2,326	3	3
M58PSLD SS	58 3/8"	2,463	4	4
M64PSLD SS	64 3/8"	2,811	4	4

BLOWER SOLD SEPARATELY
STAINLESS STEEL BAFFLE FILTERS AND GU10 LIGHTING INCLUDED.



M600

BLOWER OPTIONS

Model No.	CFM+	Amps	Price	Incl. •	Duct Size
M600	630	5.0	648	N/A	6" Round
M1200	1035	10.0	1,247	VP566	10" Round
WHM300*	300	5.0	22	N/A	6" Round
WHM400*	400	5.0	22	N/A	6" Round

+ CFM RATING IS AT 0.0" STATIC PRESSURE
• VP566 TRANSITION IS PACKAGED SEPARATELY FROM M1200 BLOWER
* WHM300 IS A HARNESS TO BE USED WITH THE M600 WHICH LIMITS TO 300 CFM
* WHM400 IS A HARNESS TO BE USED WITH THE M600 WHICH LIMITS TO 400 CFM



M1200

VENTING ACCESSORIES

PRICES DO NOT INCLUDE SHIPPING & HANDLING CHARGES.

WALL LOUVER			WALL LOUVER			WALL LOUVER			RECTANGULAR WALL LOUVER		
MODEL	DESCRIPTION	PRICE	MODEL	DESCRIPTION	PRICE	MODEL	DESCRIPTION	PRICE	MODEL	DESCRIPTION	PRICE
VP526	6" Round	\$107.53	VP554	10" Round	\$153.29	VP555	12" Round	\$153.29	VP538	6" x 8-1/2"	\$107.53
VP527	7" Round	\$107.53							VP560	3-1/4" x 10"	\$77.80
VP528	8" Round	\$107.53									
LOW PROFILE ROOF JACK (MAXIMUM 4/12 PITCH)			LOW PROFILE ROOF JACK (MAXIMUM 4/12 PITCH)			LOW PROFILE ROOF JACK (MINIMUM 4/12 PITCH)			LOW PROFILE ROOF JACK (MINIMUM 4/12 PITCH)		
MODEL	DESCRIPTION	PRICE	MODEL	DESCRIPTION	PRICE	MODEL	DESCRIPTION	PRICE	MODEL	DESCRIPTION	PRICE
VP539	6" Round	\$107.53	VP552	10" Round	\$231.07	VP539-HP	6" Round	\$107.53	VP552-HP	10" Round	\$231.07
VP540	7" Round	\$107.53	VP553	12" Round	\$231.07	VP540-HP	7" Round	\$107.53	VP553-HP	12" Round	\$231.07
VP541	8" Round	\$107.53				VP541-HP	8" Round	\$107.53			
ADJUSTABLE ELBOW			BACK/SIDE VENT ELBOW			3 1/4" x 10" BACK VENT ELBOW			3 1/4" x 10" TO 7" TRANSITION		
MODEL	DESCRIPTION	PRICE	MODEL	DESCRIPTION	PRICE	MODEL	DESCRIPTION	PRICE	MODEL	DESCRIPTION	PRICE
VP513	6" Round	\$32.03	VP561	8" to 6" x 8-1/2"	\$43.49	VP559	3-1/4" x 10"	\$43.49	VP521	3-1/4" x 10 to 7"	\$43.49
VP514	7" Round	\$32.03									
VP515	8" Round	\$32.03									
MULTI-BLOWER TRANSITION			M1200 STANDARD TRANSITION			STANDARD ISLAND TRANSITION			CLUSTER BLOWER TRANSITION		
MODEL	DESCRIPTION	PRICE	MODEL	DESCRIPTION	PRICE	MODEL	DESCRIPTION	PRICE	MODEL	DESCRIPTION	PRICE
VP562	6" & 8" to 10"	\$231.07	VP566	M1200 Transition	\$84.66	VP565	5" x 16" to 8" Rnd	\$84.66	VP564	8" & 8" to 12"	\$84.66
VP563	8" & 8" to 12"	\$231.07									
OFFSET L & R TRANSITION FOR ISLAND BLOWERS			SIDE VENT TRANSITION L & R FOR ISLAND BLOWERS			OFFSET KIT - ROUND			OFFSET KIT - RECTANGULAR		
MODEL	DESCRIPTION	PRICE	MODEL	DESCRIPTION	PRICE	MODEL	DESCRIPTION	PRICE	MODEL	DESCRIPTION	PRICE
VP542	Top Left	\$84.66	VP544	Side Left	\$84.66	VP529	6" Rnd to 7" Rnd	\$43.49	VP550	6" to 3-1/4" x 10"	\$43.49
VP543	Top Right	\$84.66	VP545	Side Right	\$84.66						
"Y" TRANSITION			ROUND DUCT PIPE			3 1/4" RECTANGULAR DUCT PIPE			6" RECTANGULAR DUCT PIPE		
MODEL	DESCRIPTION	PRICE	MODEL	DESCRIPTION	PRICE	MODEL	DESCRIPTION	PRICE	MODEL	DESCRIPTION	PRICE
VP517	8" & 8" to 12"	\$96.10	VP500	6" Round	\$36.63	VP504	3-1/4" x 10"	\$36.63	VP507	6" x 8-1/2"	\$36.63
VP518	8" & 8" to 12"	\$96.10	VP501	7" Round	\$36.63	VP505	3-1/4" x 12"	\$36.63			
VP551	6" & 8" to 10"	\$96.10	VP502	8" Round	\$36.63	VP506	3-1/4" x 16"	\$36.63			

REPLACEMENT PARTS

PRICES DO NOT INCLUDE SHIPPING & HANDLING CHARGES.

<u>MOTORS</u>			<u>M LINE COMPONENTS</u>		
PART NO.	DESCRIPTION	PRICE	PART NO.	DESCRIPTION	PRICE
P1301-1	SINGLE SPEED WHITE MOTOR (CW)	\$160.97	P1440	M LINE BLOWER SWITCH	\$36.04
P1301-2	TWO SPEED WHITE MOTOR (CW)	\$160.97	P1445	M LINE BLOWER SWITCH KNOB	\$16.85
P1302-1	BLACK MOTOR (CCW)	\$160.97	P1450	M LINE LIGHT SWITCH	\$36.04
P1315	V-LINE MOTOR	\$237.83	P1455	M LINE LIGHT SWITCH KNOB	\$16.85
P1900	ADAPTER (AMP PLUG/TWO PRONG PLUG)	\$9.62	P1456	M600 WIRING HARNESS	\$108.12
			P1457	M1200 WIRING HARNESS	\$108.12
<u>BLOWER WHEELS</u>			<u>LIGHT BULBS</u>		
PART NO.	DESCRIPTION	PRICE	PART NO.	DESCRIPTION	PRICE
P1305	WHITE BLOWER WHEEL (CW)	\$43.26	P1111	GU10 LED BULB	\$33.33
P1306	BLACK BLOWER WHEEL (CCW)	\$43.26	P1130	PAR20 HALOGEN BULB, 50 WATT	\$26.42
P1307	V-LINE BLOWER WHEEL	\$43.26	P1350	INTEGRATED LED BULB (2700K)	\$99.89
			P1355	INTEGRATED LED BULB (5000K)	\$99.89
<u>BLOWER HOUSINGS</u>			<u>LIGHT FIXTURE COMPONENTS</u>		
PART NO.	DESCRIPTION	PRICE	PART NO.	DESCRIPTION	PRICE
<i>SPECIFY HOOD COLOR</i>			P1103	LEFT LAMPHOLDER	\$9.62
P1029	B100/T200 BLOWER HSG w/DAMPER	\$132.12	P1104	RIGHT LAMPHOLDER	\$9.62
P1029E	B100/T200 EZ CLEAN HSG w/DAMPER	\$132.12	P1105	FS-2 STARTER	\$4.82
P1028	B200/T400 BLOWER HSG w/DAMPERS	\$254.64	P1106	STARTER SOCKET	\$12.03
P1028E	B200/T400 EZ CLEAN HSG w/DAMPERS	\$254.64	P1123	PAR20 HALOGEN LAMP SOCKET	\$9.62
P1030	T200 REVERSE BLOWER HSG w/DAMPER	\$132.12	P1124	GU10 LAMP SOCKET	\$15.69
P1030E	T200 REVERSE EZ CLEAN HSG w/DAMPER	\$132.12	P1127	FLUORESCENT LIGHT DIFFUSER	\$24.04
P1021	V-LINE BLOWER COVER (PAN)	\$60.06			
<u>BLOWER SHIELDS</u>			<u>REPLACEMENT FILTERS</u>		
PART NO.	DESCRIPTION	PRICE	PART NO.	DESCRIPTION	PRICE
P1025	B100/T200 SHIELD, PAINTED	\$45.67	P1506	SS BAFFLE (16" x 20" x 1-1/2")	\$360.34
P1025E	B100 EZ CLEAN SHIELD, PAINTED	\$45.67	P1506A	SS BAFFLE (10" x 20" x 1-1/2")	\$420.39
P1025E-I	T200 EZ CLEAN SHIELD, PAINTED	\$45.67	P1529	M LINE BAFFLE FILTER - 15" x 12"	\$182.57
P1027	B100/T200 SHIELD, STAINLESS	\$45.67	P1530	M LINE BAFFLE FILTER - 12" x 12"	\$182.57
P1027E	B100 EZ CLEAN SHIELD, STAINLESS	\$45.67	P1531	M LINE FILTER FILLER PLATE - 6" x 12"	\$77.80
P1027E-I	T200 EZ CLEAN SHIELD, STAINLESS	\$45.67			
P1024	B200/T400 SHIELD, PAINTED	\$60.06	<u>BACK DRAFT DAMPERS</u>		
P1024E	B200 EZ CLEAN SHIELD, PAINTED	\$60.06	PART NO.	DESCRIPTION	PRICE
P1024E-I	T400 EZ CLEAN SHIELD, PAINTED	\$60.06	P1031	MAGIC LUNG NYLON POLYMER DAMPER	\$12.03
P1026	B200/T400 SHIELD, STAINLESS	\$60.06	P1040	B100/T200 METAL DAMPER	\$12.03
P1026E	B200 EZ CLEAN SHIELD, STAINLESS	\$60.06	P1041	B200 METAL DAMPER	\$12.03
P1026E-I	T400 EZ CLEAN SHIELD, STAINLESS	\$60.06	P1042	V-LINE DAMPER	\$16.85
P1610P	NICKEL SHIELD SCREW	\$9.62			
<u>SWITCHES AND CONTROLS</u>			<u>REMOTE BLOWER COMPONENTS</u>		
PART NO.	DESCRIPTION	PRICE	PART NO.	DESCRIPTION	PRICE
P1431	SWITCH FOR SINGLE SPEED BLACK MOTOR	\$9.62	P1425	REMOTE BLOWER SPEED CONTROL (HOOD)	\$139.33
P1432	SWITCH FOR FLUORESCENT LIGHT	\$9.62	P1510	RM1000 BLOWER WHEEL	\$84.08
P1433	SWITCH FOR TWO SPEED WHITE MOTOR	\$12.03	P1515	RM1000 MOTOR	\$492.44
P1434	SWITCH FOR HALOGEN LIGHTS	\$12.03	P1520	RM1500 BLOWER WHEEL	\$84.08
P1435	LED ROCKER SWITCH	\$12.03	P1525	RM1500 MOTOR	\$564.53
P1411	PRESSURE SWITCH (TILT/TLH HOODS)	\$33.02	<u>OTHER MISCELLANEOUS ITEMS</u>		
P1418	DIMMER SWITCH (CAN LIGHTS)	\$72.11	PART NO.	DESCRIPTION	PRICE
P1419	ROTARY SWITCH (HEAT LIGHTS)	\$24.04	P1039	FLAP STAY FOR TILT/TLH HOODS	\$67.27
P1422	KNOB FOR ROTARY SWITCH (SET SCREW)	\$9.62	AW101	T-HANDLE, 1/8" ALLEN WRENCH	\$24.04
P1425	REMOTE BLOWER SPEED CONTROL (HOOD)	\$139.33	AW102	STANDARD, 1/8" ALLEN WRENCH	\$2.41
P1460	ROTARY SWITCH - B100/LED LIGHTS	\$12.03	P1424	SENSASOURCE THERMOSTAT ASSY	\$28.83
P1465	ROTARY SWITCH - B200/T200/T400(2)	\$12.03	SS KIT	STAINLESS STEEL SCRATCH REPAIR KIT	\$19.24
P1470-1	MAGIC LUNG ROTARY BLOWER KNOB	\$16.85	SS64	NO LONGER AVAILABLE	N/A
P1475-1	MAGIC LUNG ROTARY LIGHT KNOB	\$16.85	CP101	NO LONGER AVAILABLE	N/A
P1350-1	DIMMER PACK FOR INTEGRATED LED BULB	\$23.50	P1316	3-1/4" x 10" COLLAR FOR V-LINE	\$24.04
			P1317	BACK PLATE FOR V-LINE	\$12.03
			AW1.5	1.5MM HEX WRENCH FOR ROTARY KNOBS	\$2.00

Vent-A-Hood[®]

1000 N. Greenville Ave.
Richardson, Texas 75081-2799

TELEPHONE: 972.235.5201
TOLL-FREE: 800.331.2492
FAX: 972.231.0663